



# Diversity for UNI Circuits

## **Contents**

Purpose	2
Diversity related fields	2
Ordering Types	3
E-Path UNI REQ TYP ED (SES FORM)	4
FOC Timelines	4
Change Log	5

Frontier Wholesale

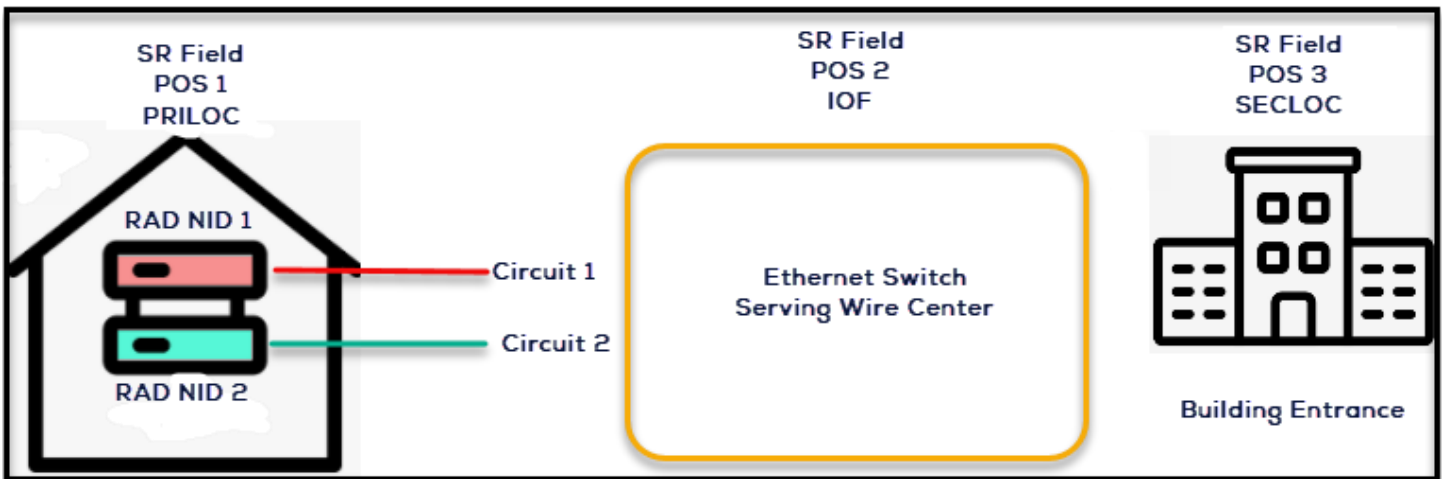
Jurisdiction: All  
Revised: 08/10/2021

## Purpose

This Job Aid will cover how to update Diversity on New and Move Activities for UNI Ethernet Circuits. Diversity can be requested with New ASR Activity or Change ASR Activity.

## Diversity related fields

- Switched Ethernet Form (SES) – Special Routing Field (**SR**)
  - Diversity requested at the Physical End User Location NID
    - **BNN**
  - Diversity requested at Frontier’s IOF (Inter office Facility)
    - **N2N**
  - Diversity requested at the Building Entrance
    - **NNB**
- Switched Ethernet Form (SES) – **DIVPON**
  - Required when DIVCKT is not populated
- Switched Ethernet Form (SES) – **DIVCKT**
  - Required when DIVPON is not populated



When Diversity is being requested at the NID and you are unsure of the Circuit to be diverse from please send email to [DEMARC.MOVE@FTR.COM](mailto:DEMARC.MOVE@FTR.COM). Include the UNI Circuit that may be existing on the NID. Carrier Staff Support will research and advise of any circuits existing on the NID that belong to your Carrier IXC.



## Ordering Types

Question	Solution
I need a New Circuit that is Diverse from a UNI circuit that is already installed. What type of ASR do I need?	Issue a New Stand Alone UNI ASR with the <u>SR field</u> populated and <u>DIVCKT Field</u> with existing circuit.
I would like to issue 2 ASR's at the same time diverse from each other. What type of ASR's do I need to issue?	<ol style="list-style-type: none"><li>1. Issue a Combo ASR (UNI/EVC). Populate the SR field (see matrix) below and populate DIVPON of the PON that will be issued in #2.</li><li>2. Issue a 2<sup>nd</sup> Combo ASR (UNI/EVC), populate the SR field, same values as in step 1 with DIVPON of 1<sup>st</sup> Combo ASR</li></ol>
I have 2 Circuits installed on the same NID at the same location. What type of ASR do I issue to make one of these circuits diverse?	Issue a New MOVE ASR (ACT M) with the <u>SR field</u> populated and <u>DIVCKT Field</u> with existing circuit. ASR Remarks will need state that a Diversity is being requested
I would like a Dedicated or New NID to be installed in the MPOE	On the New Connect or Move ASR: <ol style="list-style-type: none"><li>1. Populate the SR field with B2B (Diversity, Diversity, Diversity)</li><li>2. Populate DIVCKT with "New NID"</li></ol>



## E-Path UNI REQ TYP ED (SES FORM)

• CIRCUIT DETAIL SECTION		
SR	Special Routing	BNN – Diversity at the PRILOC (Ex: NID) N2N – IOF Diversity (Ex: Ethernet Switch) NNB – Diversity at the SECLOC (Ex: Building Entrance) B2B – Dedicated NID
DIVCKT	Diverse Circuit	If the Diverse Circuit is known, place the UNI Circuit in the DIVCKT field. If unknown or unsure, contact <a href="mailto:DEMARC.MOVE@FTR.COM">DEMARC.MOVE@FTR.COM</a> If Dedicated NID is being requested, populated 'NEW NID' <i>Note: Either the DIVCKT or DIVPON can be populated, per ASOG Guidelines</i>
DIVPON	Diverse PON	If the Diverse PON is known and ASR is not completed, place PON in the DIVPON field. <i>Note: Either the DIVCKT or DIVPON can be populated, per ASOG Guidelines</i>

## FOC Timelines

Activity	UNI/NNI Service Intervals	UNI/NNI FOC
New	20 business days	11 business days
Change	6 business days	3 business days
Disconnect	5 business days	3 business days
Records	2 business days	1 business day
Activity	EVC Service Intervals	EVC FOC
New/Change	6 business days	3 business days
Disconnect	5 business days	3 business days
Records	2 business days	1 business day



## Change Log

Date	Page Number	Change
05/28/2021		Original document
8/10/2021	4,5	Updated SR values for Dedicated NID

DISCLAIMER: THIS DOCUMENTATION IS FOR INFORMATIONAL PURPOSES ONLY AND DOES NOT OBLIGATE FRONTIER TO PROVIDE SERVICES IN THE MANNER DESCRIBED IN THIS DOCUMENT. FRONTIER RESERVES THE RIGHT AS ITS SOLE OPTION TO MODIFY OR REVISE THE INFORMATION IN THIS DOCUMENT AT ANY TIME WITHOUT PRIOR NOTICE. IN NO EVENT SHALL FRONTIER OR ITS AGENTS, EMPLOYEES, DIRECTORS, OFFICERS, REPRESENTATIVES OR SUPPLIERS BE LIABLE UNDER CONTRACT, WARRANTY, TORT (INCLUDING BUT NOT LIMITED TO NEGLIGENCE OF FRONTIER), OR ANY OTHER LEGAL THEORY, FOR ANY DAMAGES ARISING FROM OR RELATING TO THIS DOCUMENT OR ITS CONTENTS, EVEN IF ADVISED OF THE POSSIBILITY OF SUCH DAMAGES.