

---

**ACCESS SERVICE**

---

Interstate Service Guide  
for Customers of Detariffed Access Services  
within the operating territories  
listed on the Title Pages

**LEGAL NOTICE**

The FRONTIER Interstate Service Guide and Pricelist (Guide) applies to the FRONTIER "Detariffed Services" (as defined below) and other telecommunications services that are set forth in this Guide.

Detariffed Services, as described in this document, are interstate special access services for which tariffs were withdrawn pursuant to FCC Report and Order, FCC 17-43, released April 28, 2017.

Beginning upon the effectiveness of the withdrawal of Detariffed Service tariffs, Detariffed Services will be subject to and provided pursuant to the rates, terms and conditions of this Guide, unless a separately executed service agreement between you and Frontier provides otherwise.

Prospective customers wishing to purchase services at the rates, terms and conditions in the Guide may do so by initiating orders through the same processes used to order services from FRONTIER's interstate access tariffs.

Unless a separately executed service agreement between you and Frontier provides otherwise, the Frontier Interstate Access Service agreement (or such other applicable Frontier services agreement) will apply to the following Detariffed Services as provided below:

- For any Detariffed Service that, on the date of its detariffing, was in- service and subject to a term commitment with a termination charge, beginning when that pre-existing term commitment no longer applies and that Detariffed Service is not disconnected.
- For any Detariffed Service that, on the date of its detariffing, had been ordered but is not yet installed, beginning when the first term commitment with a termination charge that applies to that ordered Detariffed Service no longer applies and that Detariffed Service is not disconnected.
- For any other Detariffed Service that is not described in the two preceding bullet points, beginning when the Detariffed Service may be disconnected without incurring a termination charge and is not disconnected.

Service that is ordered without a separately executed service agreement between you and FRONTIER that applies to that order, will also be subject to the FRONTIER Interstate Access Service Agreement at [https://wholesale.frontier.com/dcaas-staticassets/wholesale/SourceFiles/ISG/FTR\\_Interstate\\_Access\\_Service\\_Agreement\\_06302023.pdf](https://wholesale.frontier.com/dcaas-staticassets/wholesale/SourceFiles/ISG/FTR_Interstate_Access_Service_Agreement_06302023.pdf).

The services described in the Service Guide may be available through negotiated agreements, which may include rates, terms or conditions more favorable to you than those in the Guide. Prospective customers wishing to purchase Guide services at rates, terms or conditions different from those described in the Guide and the applicable FRONTIER Interstate Access Service Agreement may contact their FRONTIER service representative or go to the FRONTIER website at <https://wholesale.frontier.com/resources/pricing-guides/interstate-service-guide.html>.

FRONTIER reserves the right to change the rates, terms and conditions in the Guide from time to time. Notification of Guide changes will be made available at the FRONTIER website.

DISCLAIMER: THIS DOCUMENTATION IS FOR INFORMATIONAL PURPOSES ONLY AND DOES NOT OBLIGATE FRONTIER TO PROVIDE SERVICES IN THE MANNER DESCRIBED IN THIS DOCUMENT. FRONTIER RESERVES THE RIGHT AS ITS SOLE OPTION TO MODIFY OR REVISE THE INFORMATION IN THIS DOCUMENT AT ANY TIME WITHOUT PRIOR NOTICE. IN NO EVENT SHALL FRONTIER OR ITS AGENTS, EMPLOYEES, DIRECTORS, OFFICERS, REPRESENTATIVES OR SUPPLIERS BE LIABLE UNDER CONTRACT, WARRANTY, TORT (INCLUDING BUT NOT LIMITED TO NEGLIGENCE OF FRONTIER), OR ANY OTHER LEGAL THEORY, FOR ANY DAMAGES ARISING FROM OR RELATING TO THIS DOCUMENT OR ITS CONTENTS, EVEN IF ADVISED OF THE POSSIBILITY OF SUCH DAMAGES.

---

ACCESS SERVICE

---

Regulations Rates and Charges  
applying to the provision of Access Services  
within a Local Access and Transport Area (LATA)  
or equivalent Market Area  
for connection to interstate communications facilities  
for customers within the operating territory of  
the Issuing Carriers listed below.

Southern New England Telephone Company  
in the state of Connecticut

Access Services are provided by means of wire, fiber optics, radio or any other suitable technology or a combination thereof.

---

ACCESS SERVICE

---

## TABLE OF CONTENTS

	<u>Page No.</u>
Title Page	Title Page 1
Table of Contents	1
Concurring Carriers	12
Connecting Carriers	12
Other Participating Carriers	12
Registered Service Marks/Registered Trademarks	12
Explanation of Symbols	13
Explanation of Abbreviations	13
Reference to Other Tariffs	15
Reference to Other Publications	15
1. <u>APPLICATION OF TARIFF</u>	1-1
2. <u>GENERAL REGULATIONS</u>	2-1
2.1 <u>Undertaking of the Telephone Company</u>	2-1
2.2 <u>Provision of Service</u>	2-2
2.2.1 General	2-2
2.2.2 Routing of Facilities	2-2
2.2.3 Type of Facilities	2-2
2.2.4 Design Layout Report	2-3
2.2.5 Installation and Termination of Services	2-2
2.2.6 Substitutions, Changes and Rearrangements	2-4
2.3 <u>Refusal and Discontinuance of Service</u>	2-5
2.4 <u>Telephone Company Liability</u>	2-7

---

---

ACCESS SERVICE

---

## TABLE OF CONTENTS (Cont'd)

	<u>Page No.</u>
2. <u>GENERAL REGULATIONS (Cont'd)</u>	
2.5 <u>Obligations of the Customer</u>	2-9
2.5.1 Unlawful and Abusive Use	2-9
2.5.2 Equipment Space and Power	2-9
2.5.3 Design of Customer Services	2-9
2.5.4 References to the Telephone Company	2-10
2.5.5 Assignment or Transfer of Service	2-10
2.5.6 Interference or Impairment	2-11
2.5.7 Damage to Facilities	2-11
2.5.8 Claims and Demands for Damages	2-12
2.5.9 Certification of Special Access as Interstate	2-13
2.6 <u>Connections</u>	2-14
2.7 <u>Reserved</u>	2-14
2.8 <u>Payment Regulations</u>	2-21
2.8.1 Deposits	2-21
2.8.2 Billing and Payment Dates	2-23
2.8.3 Billing Disputes	2-25
2.8.4 Adjustments for Services Established or Discontinued in a Billing Period	2-27
2.8.5 Rounding	2-27
2.8.6 Multiple Copies of Bills	2-27

---

## ACCESS SERVICE

## TABLE OF CONTENTS (Cont'd)

	<u>Page No.</u>
2. <u>GENERAL REGULATIONS (Cont'd)</u>	
2.9 <u>Billing of Access Service Provided by Multiple Companies</u>	2-28
2.9.1 Arrangement for FGA Service	2-28
2.9.2 Multiple Bill Arrangement for Service Other than FGA	2-28
2.10 <u>Minimum Period Regulations</u>	2-41
2.10.1 General	2-41
2.10.2 Minimum Period Charges	2-43
2.10.3 Effect of Rearrangements and Changes on the Minimum Period	2-45
2.11 <u>Types of Rates and Charges</u>	2-47
2.11.1 Monthly Rates	2-47
2.11.1.1 Optional Payment Plans (OPPs) See footnote page 2-47	2-47
2.11.2 Daily Rates	2-60
2.11.3 Usage Sensitive Rates	2-60
2.11.4 Distance Sensitive Rates	2-61
2.11.5 Nonrecurring Charges	2-64
2.11.6 Reserved for Future Use	2-68
2.11.7 Network Upgrades to higher speed Access Services	2-71
2.12 <u>Credit Allowance for Service Interruptions</u>	2-72
2.12.1 General	2-72
2.12.2 When a Credit Allowance Applies	2-72
2.12.3 When a Credit Allowance Does Not Apply	2-81
2.12.4 Use of an Alternative Service During a Service Interruption	2-82
2.12.5 Temporary Surrender of a Service	2-82
2.13 <u>Definitions</u>	2-83

(C)

## ACCESS SERVICE

## TABLE OF CONTENTS (Cont'd)

	<u>Page No.</u>
3. <u>RESERVED</u>	3-1
4. <u>RESERVED</u>	4-1
5. <u>ORDERING REGULATIONS</u>	5-1
5.1 <u>General</u>	5-1
5.2 <u>Provision of Basic Customer Information</u>	5-4
5.3 <u>Access Order Service Date Intervals</u>	5-5
5.3.1 Negotiated Interval	5-6
5.4 <u>Access Order Modifications</u>	5-7
5.4.1 Service Date Change Charge/Dispatch Charge	5-7
5.4.2 Expedite Charges	5-11
5.4.3 Design Change Charge	5-16
5.5 <u>Cancellation of an Access Order</u>	5-17
5.6 <u>Service-Specific Ordering Information</u>	5-22
5.6.1 Special Access Service	5-22
5.6.2 WATS Access Line Service	5-22
5.6.3 Special Access Surcharge Exemption	5-22
5.6.4 Shared Use Facilities	5-22
5.6.5 Shared Network Arrangement	5-23
5.6.6 Access Advantage Plus (AA+) Transport Service	5-27
5.7 <u>Selection of Facilities for Access Orders</u>	5-28
5.8 <u>Provision of Other Services</u>	5-29

## ACCESS SERVICE

## TABLE OF CONTENTS (Cont'd)

	<u>Page No.</u>
6. <u>RESERVED</u>	6-1
7. <u>SPECIAL ACCESS SERVICE</u>	7-1
7.1 <u>General</u>	7-1
7.2 <u>Service Types</u>	7-1
7.3 <u>Special Access Service Configuration and Arrangements</u>	7-2
7.3.1 Two-Point Service	7-2
7.3.2 Multipoint Service	7-3
7.3.3 Video and Program Audio Hubs	7-4
7.3.4 Central Office Multiplexing	7-4
7.4 <u>Special Access Service</u>	7-9
7.4 Special Access Service Rate Categories	7-9
7.4.1 Standard Channel Termination	7-9
7.4.2 Channel Mileage	7-9
7.4.2.1 Collocation Transport	7-10
7.4.3 Optional Features and Functions	7-10
7.4.4 Special Access Surcharge	7-11
7.5 <u>Special Access Service Description Summaries</u>	7-14
7.6 <u>Special Access Service Network Channel Interface (NCI) Code Information</u>	7-16
7.6.1 General	7-16
7.6.2 Network Channel Interface Code Translation Information	7-17
7.6.3 Compatibility	7-18
7.9 <u>Voice Grade Special Access Service</u>	7-19
7.9.1 Basic Service Description	7-19
7.9.2 Technical Information	7-19
7.9.3 Optional Features and Functions	7-23
7.9.4 Rates and Charges	7-27

---

ACCESS SERVICE

---

TABLE OF CONTENTS (Cont'd)

	<u>Page No.</u>
7. <u>SPECIAL ACCESS SERVICE (Cont'd)</u>	
7.10 <u>WATS Access Line (WAL) Service</u>	7-30
7.10.1 Basic Service Description	7-30
7.10.2 Technical Information	7-30
7.10.3 Optional Features and Functions	7-31
7.10.4 Rates and Charges	7-31
7.11 <u>Program Audio Special Access Service</u>	7-32
7.11.1 Basic Service Description	7-32
7.11.2 Technical Information	7-31
7.11.3 Optional Features and Functions	7-34
7.11.4 Rates and Charges	7-35
7.12 <u>Video Special Access Service</u>	7-37
7.12.1 Service Description	7-37
7.12.2 Optional Features and Functions	7-39
7.12.3 Technical Information	7-41
7.12.4	7-43
7.12.5 Rates and Charges	7-44
7.13 <u>RESERVED for FUTURE USE</u>	7-45
7.14 <u>RESERVED for FUTURE USE</u>	7-45
7.15 <u>Digital Data Special Access Service</u>	7-46
7.15.1 Basic Service Description	7-46
7.15.2 Technical Information	7-46
7.15.3 Optional Features and Functions	7-48
7.15.4 Rates and Charges	7-49
7.16 <u>High Capacity Special Access Service</u>	7-52
7.16.1 Basic Service Description	7-52
7.16.1.1 Fractional DS1 Service	7-52
7.16.2 Technical Information	7-54
7.16.3 Optional Features and Functions	7-57
7.16.4 Rates and Charges	7-67

---



## ACCESS SERVICE

## TABLE OF CONTENTS (Cont'd)

	<u>Page No.</u>
8. <u>TESTING, MAINTENANCE, AND ADDITIONAL LABOR SERVICES</u>	8-1
8.1 <u>General</u>	8-1
8.1.1 Notification of Service-Affecting Activities	8-1
8.1.2 Network Contingency Plans	8-1
8.1.3 Labor Sensitive Rates	8-2
8.2 <u>Testing Services</u>	8-3
8.2.1 Acceptance Testing	8-3
8.2.2 Normal Maintenance	8-3
8.2.3 Optional Testing Services	8-3
8.3 <u>RESERVED</u>	8-4
8.4 <u>Special Access Testing Services</u>	8-5
8.4.1 Acceptance Testing	8-5
8.4.2 Nonscheduled Testing	8-7
8.5 <u>Maintenance of Service Charge</u>	8-7
8.6 <u>Additional Engineering and Labor Services</u>	8-8
8.6.1 Additional Engineering Service	8-8
8.6.2 Additional Labor Service	8-9
9. <u>RESERVED</u>	9-1
10. <u>RESERVED</u>	10-1

## ACCESS SERVICE

## TABLE OF CONTENTS (Cont'd)

	<u>Page No.</u>
11. <u>SPECIAL FACILITIES ROUTING OF ACCESS SERVICES</u>	11-1
11.1 <u>General</u>	11-1
11.1.1 Diversity	11-1
11.1.2 Avoidance	11-1
11.1.3 Cable-Only Facilities	11-1
11.2 <u>Rates and Charges</u>	11-3
11.2.1 Diversity	11-3
11.2.2 Avoidance	11-4
11.2.3 Diversity and Avoidance Combined	11-5
11.2.4 Cable-Only Facilities	11-6
12. <u>SPECIALIZED SERVICES</u>	12-1
12.1 <u>General</u>	12-1
12.2 <u>Rates and Charges</u>	12-1
13. <u>MISCELLANEOUS SERVICES</u>	13-1
13.1 <u>Provision of Access Service Billing Information</u>	13-1
13.1.1 Access Service Billing Information Options	13-1
13.1.2 Rates and Charges	13-1
13.2 <u>Controller Arrangement</u>	13-2
13.3 <u>Standard Jacks</u>	13-3
13.3.1 Standard Voice Jacks	13-3
13.3.2 Standard Analog Data Jacks	13-5
13.3.3 Non-Registration Analog Data Jacks	13-7
13.3.4 Standard Digital Data Jacks	13-7
13.4 <u>Protective Connecting Arrangements</u>	13-8
13.5 <u>Individual Case Filings</u>	13-8
14. <u>RESERVED</u>	14-1
15. <u>RESERVED</u>	15-1

## ACCESS SERVICE

## TABLE OF CONTENTS (Cont'd)

	<u>Page No.</u>
16. <u>SPECIAL ACCESS SERVICE INDIVIDUAL CASE BASIS FILINGS</u>	16-1
16.1 <u>Individual Case Filings for Special Access</u>	16-1
17. <u>RESERVED</u>	17-1
18. <u>RESERVED</u>	18-1
19. <u>PACKET SWITCHED DATA NETWORK SERVICE (PSDN)</u>	19-1
19.1 <u>General</u>	19-1
19.1.1 PSDN Access Arrangements	19-1
19.1.2 Terms and Conditions	19-1
19.1.3 Customer Obligations	19-3
19.1.4 Special Facilities Routing	19-3
19.1.5 Rate Elements	19-4
19.1.6 Optional Software Features	19-5
19.1.7 Description of Rates and Charges	19-6
19.1.8 Application of Rates and Charges	19-7
20. <u>RESERVED FOR FUTURE USE</u>	20-1
21. <u>RESERVED FOR FUTURE USE</u>	21-1
22. <u>RESERVED</u>	22-1
23. <u>OPERATING TERRITORY OF THE FRONTIER TELEPHONE COMPANIES</u>	23-1
23.1 <u>Competitive Counties</u>	23-1
23.1.1 General	23-1
23.1.2 Rate Regulations	23-1
23.1.3 Competitive Counties	23-2
24. <u>METROPOLITAN STATISTICAL AREA ACCESS SERVICES</u>	24-1
24.1 General Description	24-1
24.2 Metropolitan Statistical Areas	24-2
24.3 Services Available in an MSA	24-2
24.4 Rate Regulations	24-3
24.5 Rates and Charges	24-9
24.6 Wire Center Information	24-48
24.6.1 MSAs with Limited Service Relief	24-48
24.6.2 MSAs with Full Service Relief	24-50

---

ACCESS SERVICE

---

## TABLE OF CONTENTS (Cont'd)

	<u>Page No.</u>
25. RESERVED FOR FUTURE USE	25-1

Previously Pricing Flexibility Offers:

Because the Service Offers made under Contract Offers Nos. 1 through 49, 51 through 53, and 57 have no current customers and are closed to new subscriptions as of the original effective date of this Guide, these offers have been deleted from this Guide and their corresponding sections contain no material.

---

ACCESS SERVICE

---

## TABLE OF CONTENTS (Cont'd)

	<u>Page No.</u>
26. <u>INTEGRATED SERVICE PACKAGE OFFERINGS</u>	26-1
26.1 <u>Access Advantage Plus Transport Service</u>	26-1
26.1.1 General Description	26-1
26.1.2 Service Provisioning	26-1
26.1.3 Rate Regulations - See Footnote on Page 26.4	26-3
26.1.4 Rates and Charges	26-6

---

ACCESS SERVICE

---

CONCURRING CARRIERS

NO CONCURRING CARRIERS

CONNECTING CARRIERS

NO CONNECTING CARRIERS

OTHER PARTICIPATING CARRIERS

NO OTHER PARTICIPATING CARRIERS

TRADEMARKS AND SERVICE MARKS

Telcordia® and Common Language® are registered trademarks and iconectiv, CLCI, CLEI, CLFI, CLLI, USOC, FID, NC, NCI and NC/NCI, are trademarks of Telcordia Technologies, Inc. The Common Language codes identified in this Guide are the proprietary information of Telcordia Technologies, Inc. dba iconectiv ("iconectiv") and are licensed to Frontier Communications Corporation. The Common Language codes are provided herein solely for the purpose of this Guide and may not be reproduced, stored, or used for any other purpose without the express, written consent of iconectiv.

---

**ACCESS SERVICE**

---

**EXPLANATION OF ABBREVIATIONS**

ABS	- Alternate Billing Service
ac	- Alternating Current
ACAT	- Additional Cooperative Acceptance Testing
ANI	- Automatic Number Identification
AP	- Program Audio
AST	- Automatic Scheduled Testing
CCS	- A hundred call seconds
CCSA	- Common Control Switching Arrangement
CCSN	- Common Channel Signaling Network
CCS7	- Common Channel Signaling 7
CO	- Central Office
Cont'd	- Continued
CPE	- Customer Provided Equipment
CST	- Cooperative Scheduled Testing
CSU	- Channel Service Unit
DA	- Directory Assistance
dB	- decibel
dc	- Direct Current
DLR	- Design Layout Report
DR	- Daily Rate
DST	- Dedicated Signaling Transport
DX	- Duplex
EAS	- Extended Area Service
ESSEX	- Electronic Switching System Exchange
F.C.C.	- Federal Communications Commission (Also FCC)
FG	- Feature Group
FID	- Field Identifier
GETS	- Government Emergency Telecommunications Service
HC	- High Capacity
Hz	- Hertz
IC	- Interexchange Carrier
ICB	- Individual Case Basis
kbps	- kilobits per second
kHz	- kilohertz

---

**ACCESS SERVICE**

---

EXPLANATION OF ABBREVIATIONS (Cont'd)

LATA	- Local Access and Transport Area
LIDB	- Line Information Data Base
Mbps	- Megabits per second
MECAB	- Multiple Exchange Carrier Access Billing
MECOD	- Multiple Exchange Carrier Ordering and Design
MFJ	- Modified Final Judgment
MHz	- Megahertz
MR	- Monthly Rate
MRCC	- Maritime Radio Common Carrier
MST	- Manual Scheduled Testing
MTL	- Maximum Termination Liability
MTS	- Message Telecommunications Service(s)
NANP	- North American Numbering Plan
NC	- Network Channel (Code)
NCI	- Network Channel Interface
NCT	- Nonconversation Time
NPA	- Numbering Plan Area
NRC	- Nonrecurring Charge
NS/EP	- National Security and Emergency Preparedness
NXX	- Three-Digit Central Office Code
OPC	- Originating Point Code
PBX	- Private Branch Exchange
PCA	- Protective Connecting Arrangement
PIU	- Percentage of Interstate Usage
POT	- Point of Termination
PPSN	- Public Packet Switching Network
PSN	- Public Switched Network
RCC	- Radio Common Carrier
SCP	- Service Control Point
SD	- Service Designator (Code)
SMS	- Service Management System
SSNS	- SNET SONET Network Service*
SSP	- Service Switching Point)
SS7	- Signaling System 7
STP	- Signal Transfer Point
SWC	- Serving Wire Center

\* Effective July 31, 2003, SNET SONET Network Service (SSNS) will no longer be available to new customers. There will be no change to existing customers.



---

 ACCESS SERVICE
 

---

EXPLANATION OF ABBREVIATIONS (Cont'd)

TRS	- Telecommunications Relay Service
TSP	- Telecommunications Service Priority
TV	- Television
UCD	- Uniform Call Distribution
USOC	- Uniform Service Order Code
VG	- Voice Grade
V & H	- Vertical & Horizontal
WAL	- WATS Access Line
WATS	- Wide Area Telecommunications Service(s)
WD	- Wideband Data
WSO	- WATS Serving Office

REFERENCE TO OTHER TARIFFS

Whenever reference is made in this Guide to other tariffs, the reference is to the tariffs in force as of the effective date of this Guide and to amendments and successor tariffs.

The following tariff is referenced in this Guide and may be obtained from the National Exchange Carrier Association, 80 South Jefferson Road, Whippany, NJ 07981-1009 or in electronic format on the Internet at [www.neca.org](http://www.neca.org).

National Exchange Carrier Association, Inc.  
Tariff F.C.C. No. 4

REFERENCE TO OTHER PUBLICATIONS

The following publications are referenced in this Guide and may be obtained from Bellcore Customer Service, 8 Corporate Place, Room 3A-184, Piscataway, NJ 08854-4196.

## Technical Reference:

PUB 41004			
Issued:	October, 1973	Available:	October, 1973
PUB 62310			
Issued:	September, 1983	Available:	October, 1983
PUB 62411			
Issued:	September, 1983	Available:	September, 1983
PUB 62411A			
Issued:	September, 1983	Available:	October, 1983

---

## ACCESS SERVICE

REFERENCE TO OTHER PUBLICATIONS (Cont'd)

PUB 62500 Issued: December, 1983	Available: March, 1984
ANSI/IEEE 802.3, Fast Ethernet IEEE 802.1D	Available: March, 2003
TR-INS-000242 Issued: February, 1991	Available: March, 1991
SR-EOP-000191 Issued: April 1985	Available: September, 1985
TR-NWT-000334 Issued: September, 1990	Available: October 1990
TR-TSY-000335 Issued: May, 1990	Available: June, 1990
TR-NPL-000337 Issued: July, 1987	Available: August, 1987
TR-TSV-000338 Issued: August, 1993	Available: August, 1993
TR-NPL-000339 Issued: October, 1987	Available: November, 1987
TR-NPL-000341 Issued: February, 1993	Available: February, 1993
TR-NWT-000938 Issued: August, 1990	Available: August, 1990
TR-TSV-000962 Issued: September, 1990	Available: September, 1990
SR-STS-000307, Issue 5 Issued: May, 1994	Available: May, 1994
GR-317-CORE, Issue 7 Issued: December, 2003	Available: December, 2003
GR-394-CORE, Issue 7 Issued: December, 2003	Available: December, 2003

## ACCESS SERVICE

REFERENCE TO OTHER PUBLICATIONS (Cont'd)

GR-253-CORE, Issue 1 Issued: December, 1994	Available: December, 1994
SR-NWT-001851, Issue 1 Issued: December, 1990	Available: December, 1990
SR-INS-001532, Issue 1 Issued: July, 1991	Available: July, 1991
SR-NPL-001434, Issue 1 Issued: January, 1990	Available: January, 1990
GR-2904-CORE, Issue 1 Issued: December, 1995	Available: December, 1995
GR-54-CORE Issued: Issue 1, December, 1995	Available: December, 1995
GR-342-CORE Issued: Issue 1, December, 1995	Available: December, 1995
TR-NWT-000246 Issued: July, 1985	Revised: December, 1992
TR-TSV-000905 Issued: August, 1989	Revised: August, 1991
TR-TSV-000954 Issued: November, 1989	Revised: November, 1992
TR-TSV-000338 Issued: September, 1993	Available: September, 1993
TR-TSY-000394 Issued: November, 1987	Revised: December, 1992
GR-63-CORE Issued: Issue 1, October, 1995	Available: October, 1995
TR-NWT-001158 Issued: March 97, Issue 3	Available: March, 1997
GR-2936 Issued: December 1996, Issue 2	Available: December, 1996

---

**ACCESS SERVICE**

---

REFERENCE TO OTHER PUBLICATIONS (Cont'd)

The following publication may be obtained from the Bell Communications Technical Education Center, Room B02, 6200 Route 53, Lisle, IL, 60532.

Telecommunications Transmission Engineering  
Volume 3 - Networks and Services (Chapter 6 and 7) Second Edition, 1980

Issued: June, 1980 Available: June, 1980

The following publication may be obtained from SNET Customer Carrier Interface Group, 3rd Floor, 530 Preston Avenue, Meriden, CT 06450.

SNET-TEIG-001  
Issued: November, 1990 Available: November, 1990

The following publication may be obtained from the National Exchange Carrier Association, Inc., Director - Tariff and Regulatory Matters, 100 So. Jefferson Road, Whippany, NJ 07981 and the Federal Communications Commission's commercial contractor.

PUB AS No. 1, Issue II  
Issued: May, 1984 Available: May, 1984

The following publication may be obtained from the Southern New England Telephone Company, Staff Manager-Administration, 6th Floor, 300 George Street, New Haven, CT 06511.

Access Provisioning Intervals (Revised edition)  
Issued: March, 1993

The following publications are available for inspection in the Government Printing Office, Office of the Superintendent of Documents, Documentation Control Branch, 941 N. Capitol St. N.E., Washington D.C. 20401.

Telecommunications Service Priority (TSP) System for National Security Emergency Preparedness (NSEP) Service Vendor Handbook, National Communications System (NCS) Handbook (NCSH 3-1-2).

Dated: July 11, 1989 Available: August, 1990

Telecommunications Service Priority (TSP) System for National Security Emergency Preparedness (NSEP) Service User Manual (NCSM 3-1-1).

Dated: July 9, 1990 Available: August, 1990

---

 ACCESS SERVICE
 

---

REFERENCE TO OTHER PUBLICATIONS (Cont'd)

The following Ordering and Billing Forum standards may be obtained from Bell Communications Research, Customer Services, 60 New England Avenue, Piscataway, NJ 08854-4196.

Multiple Exchange Carrier Access Billing (MECAB)  
Multiple Exchange Carrier Ordering and Design (MECOD)

Available: January 1, 1988

The following publications may be obtained from American National Standards Institute, Customer Service, 11 West 42nd Street, New York, NY 10036.

ANSI T1.502-1988  
Telecommunications System M-NTSC Television Signals-Network Interface Specifications and Performance Parameters.

ANSI Technical Report 16  
A Technical Report on DS3 Transport for Contribution Application M-NTSC Television Signals-Analog Interface and Performance Objectives, November 1992.

The following technical publications are referenced in this Guide and may be obtained from Assistant Manager - Technical Information Release Management (TIRM) at (847) 248-4328, Ameritech Services, Inc., Room 3A09F, 2000 W. Ameritech Center Drive, Hoffman Estates, Illinois 60196-1025:

SBC-TP-76412-000		
Issued: March, 2003	Available:	March, 2003

SBC-TP-76200MP		
Issued: October, 2003	Available:	October, 2003

AM-TR-NIS-000137		
Issued: March, 1996	Available:	March, 1996

The following publication may be obtained from NEC America, Inc., Customer Service, 8 Corporate Place, Room 3A-184, Piscataway, NJ 08854-4196.

NECA 340-407-000  
NEC America Equipment Manual for Broadcaster 45TV Codec, Issue 1, August 1988.

---

ACCESS SERVICE

---

REFERENCE TO OTHER PUBLICATIONS (Cont'd)

The following publication may be obtained from Alcatel Network Systems, 1225 N. Alma Road, Richardson, TX 75081-2206.

Telettra DTV-45 Codec Video to DS3 Coder/Decoder, Engineering and Descriptive Information, Section 955-701-100, Issue 1, April 1992.

The following publication may be obtained from Pesa Switching Systems, Inc., 2102 West Ferry Way, Huntsville, AL 35801.

Pesa Manual RM4000 Video/Controller No. 81905901153, December 1991.

The following publication may be obtained from American Lightwave Systems, 999 Research Parkway, Meriden, CT 06450.

American Lightwave Systems, LC6000 Single Channel Broadcast Quality Videolinks Installation and Operation Manual, Publication No. F060329-001, May, 1993.

The following publication may be obtained from Staff Manager – Marketing Administration, 3rd floor, 530 Preston Avenue, Meriden, CT 06450.

SNET Publication: Provisioning for Signaling for Tandem Switching.

---

ACCESS SERVICE

---

1. Application of Guide

- 1.1 This Guide contains regulations, rates and charges applicable to the provision of Special Access Services and other miscellaneous services, which are referred to collectively in this Guide as service(s).
- 1.2 The services are provided by the Southern New England Telephone Company which is referred to in this Guide as the Telephone Company.
- 1.3 The operating territory of the Telephone Company includes the geographical areas set forth in the National Exchange Carrier Association Tariff No. 4 associated with Company Code 5200.
- 1.4 The services in this Guide are provided to any individual, partnership, association, joint-stock company, trust, corporation, governmental entity, or other entity which subscribes to the services offered under this Guide. These entities, including both Interexchange Carriers (ICs) and End Users, are referred to in this Guide as customers.
- 1.5 Provision of the services in this Guide by the Telephone Company does not constitute a joint undertaking with the customer for the furnishing of any service.
- 1.6 References in this Guide to Local and/or General Exchange Service tariffs refer to tariffs of the Telephone Company which are subject to approval by a state regulatory commission.
- 1.7 References in this Guide to the Special Construction tariff refer to Frontier Telephone Companies Tariff F.C.C. No. 7, Special Construction.

---

ACCESS SERVICE

---

2. General Regulations

2.1 Undertaking of the Telephone Company

- (A) The Telephone Company does not undertake to transmit messages under this Guide.
- (B) The Telephone Company shall be responsible only for the installation, operation and maintenance of the services it provides. The Telephone Company shall not be responsible to customers for end-to-end service of which the services provided under this Guide are part.
- (C) Services are provided 24 hours daily, seven days per week, except as set forth in other applicable sections of this Guide.
- (D) The Telephone Company does not warrant that its facilities and services meet standards other than those set forth in this Guide.
- (E) The payment of rates and charges by customers for the services offered under the provisions of this Guide does not assign, confer or transfer title or ownership rights to proposals or facilities developed or utilized, respectively, by the Telephone Company in the provision of such services.

Facilities utilized by the Telephone Company to provide service under the provisions of this Guide shall remain the property of the Telephone Company. Such facilities shall be returned to the Telephone Company by the customer, whenever requested, within a reasonable period following the request, in as good condition as reasonable wear will permit.

- (F) Telephone numbers assigned to services offered under this Guide shall remain the property of the Telephone Company.

When necessary in the conduct of its business, the Telephone Company reserves the reasonable right to assign, designate or change telephone numbers, any other call number designations associated with Access Services, or the Telephone Company serving central office prefixes associated with such numbers. Should it become necessary to make a change in such number(s), the Telephone Company will give the customer 6 months written notice by Certified U.S. Mail. The notice will include the effective date of the change and an explanation of the reason(s) for such change(s).

- (G) The regulations set forth in this Guide shall apply to (1) access services ordered by a customer pursuant to Section 5, as well as to (2) facilities provisioned by the Telephone Company on behalf of a customer as DS1 or DS3 loop or transport, entrance facilities, dedicated DS0 and/or Optical Carrier Network unbundled network elements (UNEs), but which, as of March 12, 2006, are no longer available as UNEs and for which no alternative arrangements have been made as of March 12, 2006.



---

ACCESS SERVICE

---

2. General Regulations (Cont'd)

2.2 Provision of Service

2.2.1 General

The Telephone Company will provide services offered in this Guide on a first-come, first-served basis at the rates and charges specified herein upon reasonable notice and to the extent that such services are or can be made available with reasonable effort:

- (A) after provision has been made for the Telephone Company's Telephone Exchange Services and
- (B) in accordance with Part 64, Subpart D, Appendix A, of the FCC's Rules and Regulations, which specifies the procedures for the use and restoration of leased intercity private line services in emergencies.

2.2.2 Routing of Facilities

The Telephone Company will determine the routing of facilities used for the provision of service. Other routing may be provided pursuant to the Section 11 Special Facilities Routing of Access Services regulations or the Telephone Company's Special Construction tariff.

2.2.3 Type of Facilities

The Telephone Company will determine the type of facilities used for the provision of service. Other types of facilities may be provided pursuant to the Telephone Company's Special Construction Tariff.

---

ACCESS SERVICE

---

2. General Regulations (Cont'd)

2.2 Provision of Service (Cont'd)

2.2.4 Design Layout Report

At the customer's request, the Telephone Company will furnish information regarding the facilities used to provision services provided under this Guide to aid the customer in designing its overall service. Such information will be made available in the form of a Design Layout Report (DLR). The DLR will be reissued or updated whenever the facilities used to provide service are materially changed. For Switched Access Service, the DLR will provide information from the customer premises to the first point of switching only.

2.2.5 Installation and Termination of Services

An individual Access Service has only one Point of Termination per customer premises, i.e., there are no provisions for intra-premises extensions. The Telephone Company will provide additional Points of Termination at an additional charge. The charge for additional points of termination will include the cost of additional materials and labor. The services provided under this Guide include any entrance cable or drop wiring and wire or intra-building cable up to the point where provision is made for termination of the Telephone Company's outside distribution network facilities at a suitable location inside a customer premises. Services will be installed by the Telephone Company to such Point of Termination. Any additional wiring beyond the Point of Termination is the sole responsibility of the customer. Since the Point of Termination is an inherent part of Access Service, the Point of Termination may be moved as set forth in Section 2.10.3(B).

---

ACCESS SERVICE

---

2. General Regulations (Cont'd)

2.2 Provision of Service (Cont'd)

2.2.6 Substitutions, Changes and Rearrangements

In accordance with Part 68.110(b) of the FCC Rules and Regulations which pertains to changes in Telephone Company facilities, equipment, operations, or procedures, the Telephone Company may, where such action is reasonably required in the operation of its business:

- (A) substitute, change or rearrange any facilities used in providing service under this Guide, including but not limited to:
  - (1) substitution of different metallic facilities,
  - (2) substitution of carrier or derived facilities for metallic facilities used to provide other than metallic facilities and
  - (3) substitution of metallic facilities for carrier or derived facilities used to provide other than metallic facilities,
- (B) change minimum protection criteria,
- (C) change operating or maintenance characteristics of facilities, or
- (D) change operations or procedures of the Telephone Company.

In case of any such substitution, rearrangement or change, the transmission parameters will remain within the range set forth in the technical reference publications for the service involved. The Telephone Company shall not be responsible if any such substitution, rearrangement or change renders any customer furnished services obsolete or requires modification or alteration thereof or otherwise affects their use or performance.

If such substitution, rearrangement or change materially affects the operating characteristics of the facility, the Telephone Company will provide reasonable notification to the customer in writing. Reasonable time will be allowed for any redesign and implementation required by the change in operating characteristics. The Telephone Company will work cooperatively with the customer to determine reasonable notification requirements.

---

ACCESS SERVICE

---

2. General Regulations (Cont'd)

2.3 Refusal and Discontinuance of Service

The Telephone Company may refuse additional applications for service or discontinue the provision of services as set forth in 2.3(A)(1) and 2.3(A)(2) following, unless the regulations pertaining to Interference or Impairment (Section 2.5.6) or Connections (Section 2.6) apply, if a customer fails to comply with regulations pertaining to Unlawful and Abusive Use (Section 2.5.1), Damage to Facilities (Section 2.5.7), Availability for Testing (Section 8.2), Payment of Rates, Charges and Deposits (Section 2.8), including any payments to be made by it on the dates and times herein specified.

- (A) The Telephone Company may initiate any or all of the actions described in 2.3(A)(1) and 2.3(A)(2) on fifteen (15) calendar days written notice for failure to comply with the bill payment provisions in Section 2.8.2(B) if:
- (i) the Telephone Company has sent the subject bill to the customer within seven(7) business days of the bill date; or
  - (ii) the Telephone Company has sent the subject bill to the customer more than thirty (30) calendar days before notice under this section is given.

The 15 day notice will be made by Overnight Delivery to the person designated by that customer to receive such notices of noncompliance, such notice period to start the day after the notice is sent.

For all other compliance failures not qualifying for 15 day notice, the Telephone Company will give thirty (30) calendar days written notice by Overnight Delivery or Certified U.S. Mail (return receipt requested) to the person designated by that customer to receive such notices of noncompliance, such notice period to start the day after the notice is sent. The Telephone Company will maintain records sufficient to validate the date upon which a bill was sent to a customer.

Overnight Delivery under this section shall be performed by a reputable carrier such as the U.S. Postal Service Express Mail, Airborne, United Parcel Service, or Federal Express.

---

ACCESS SERVICE

---

2. General Regulations (Cont'd)

2.3 Refusal and Discontinuance of Service (Cont'd)

(A) (Cont'd)

- (1) Refuse additional applications for service and/or refuse to complete any pending orders for service by the noncomplying customer at any time thereafter. The Telephone Company may also refuse to accept and process any requests from end users or from the customer to designate that customer as the end user's Primary Interexchange Carrier (PIC), as described in Section 4, following. If an end user contacts the Telephone Company to designate the customer as the end user's PIC, the end user will be given the choice of either remaining with the end user's existing PIC or selecting a new PIC other than the customer. If the Telephone Company does not refuse additional applications for service or PIC changes to the customer on the date specified in the fifteen (15) or thirty (30) days' notice, and the customer's noncompliance continues, nothing contained herein shall preclude the Telephone Company's right to refuse additional applications for service to the noncomplying customer without further notice.
  
- (2) Discontinue the provision of the services to the noncomplying customer. If the Telephone Company discontinues service, it will no longer route any switched access traffic that uses the customer's Carrier Identification Code(s)(CIC). In the case of such discontinuance, all applicable charges, including termination charges, shall become due. If the Telephone Company does not discontinue the provision of the services involved on the date specified in the notice and the customer's noncompliance continues, nothing contained herein shall preclude the Telephone Company's right to discontinue the provision of the services to the noncomplying customer without further notice.

The Telephone Company will not initiate any of the actions described in paragraphs (1) and (2) above as to disputed bill amounts where the customer does not pay disputed bill amounts by the bill due date as specified in Section 2.8.2(B), and the Telephone Company has not rendered a decision on the dispute. The dispute process is outlined in 2.8.3.

---

ACCESS SERVICE

---

2. General Regulations (Cont'd)

2.3 Refusal and Discontinuance of Service (Cont'd)

- (B) When access service is provided by more than one telephone company, the companies involved in providing the joint service may individually or collectively deny service to a customer for nonpayment. Where the telephone companies affected by the nonpayment are incapable of effecting discontinuance of service without cooperation from the other joint providers of Switched Access Service, such other telephone companies will, if technically feasible, assist in denying the joint service to the customer. Service denial for such joint service will only include calls which originate or terminate within, or transit, the operating territory of the telephone companies initiating the service denial for nonpayment. When more than one of the joint providers must deny service to effectuate termination for nonpayment, in cases where a conflict exists in the applicable tariff provisions, the tariff regulations of the telephone company where the customer end office is located shall prevail for joint service discontinuance provisions.

2.4 Telephone Company Liability

- (A) The Telephone Company's failure to provide or maintain services under this Guide shall be excused by labor difficulties, governmental orders, civil commotions, criminal actions taken against the Telephone Company, acts of God and other circumstances beyond the Telephone Company's reasonable control.
- (B) The Telephone Company's liability, if any, for its willful misconduct is not limited by this Guide. With respect to any other claim or suit, by a customer or by any others, for damages associated with the installation, provision, preemption, termination, maintenance, repair or restoration of service, and subject to the provisions of C. through G. following, the Telephone Company's liability, if any, shall not exceed an amount equal to the proportionate charge for the service for the period during which service was affected. This liability for damages shall be in addition to any amounts that may otherwise be due the customer under this Guide as a Credit Allowance for a Service Interruption.
- (C) The Telephone Company shall not be liable for any act or omission of any other carrier or customer providing a portion of a service, nor shall the Telephone Company for its own act of omission hold liable any other carrier or customer providing a portion of a service.
-

---

ACCESS SERVICE

---

2. General Regulations (Cont'd)

2.4 Telephone Company Liability (Cont'd)

- (D) The Telephone Company is not liable for damages to the customer premises resulting from the furnishing of a service, including the installation and removal of equipment and associated wiring, unless the damage is caused by the Telephone Company's negligence.
- (E) The Telephone Company shall be indemnified, defended and held harmless by the IC or the end user against any claim, loss or damage arising from the IC's or end user's use of services offered under this Guide, involving:
  - (1) Claims for libel, slander, invasion of privacy, or infringement of copyright arising from the IC's or end user's own communications;
  - (2) Claims for patent infringement arising from the IC's or end user's acts combining or using the service furnished by the Telephone Company in connection with facilities or equipment furnished by the IC or end user;
  - (3) All other claims arising out of any act or omission of the IC or end user in the course of using services provided pursuant to this Guide.
- (F) No license under patents (other than the limited license to use) is granted by the Telephone Company or shall be implied or arise by estoppel, with respect to any service offered under this Guide. The Telephone Company will defend the customer against claims of patent infringement arising solely from the use by the customer of services offered under this Guide and will indemnify such customer for any damages awarded based solely on such claims.
- (G) The Telephone Company does not guarantee or make any warranty with respect to its services when used in an explosive atmosphere. The Telephone Company shall be indemnified, defended and held harmless by the customer from any and all claims by any person relating to such customer's use of services so provided.
- (H) The regulation for the installation, use and restoration of Telecommunications Service Priority (TSP) System services shall be subject to Part 64.401, Appendix A, of the Federal Communications Commission's Rules and Section 10 following.

---

ACCESS SERVICE

---

2. General Regulations (Cont'd)

2.5 Obligations of the Customer

2.5.1 Unlawful and Abusive Use

The services provided under this Guide shall not be used for an unlawful purpose or used in an abusive manner.

(A) Abusive use includes:

- (1) The use of the service of the Telephone Company for a call or calls, anonymous or otherwise, in a manner reasonably expected to frighten, abuse, torment, or harass another;
- (2) The use of the service in such a manner as to interfere unreasonably with the use of the service by one or more other customers.

(B) The Telephone Company shall, upon written request from a customer or another exchange carrier, terminate service to any subscriber or customer identified as having utilized service provided under this Guide in the completion of abusive or unlawful telephone calls. Service shall be terminated by the Telephone Company as provided for in its general and/or local exchange service tariffs.

(C) In such instances when termination occurs, as in (B) preceding, the Telephone Company shall be indemnified, defended and held harmless by the customer or any other Exchange Carrier or party against any claim, loss or damage arising from the Telephone Company's actions in terminating such service, unless caused by the Telephone Company's negligence.

2.5.2 Equipment Space and Power

The customer shall furnish or arrange to have furnished to the Telephone Company at no charge, equipment space and electrical power required by the Telephone Company to provide services under this Guide at the points of termination of such services. The selection of ac or dc power shall be mutually agreed to by the customer and the Telephone Company. The customer shall also make necessary arrangements in order that the Telephone Company will have access to such spaces at reasonable times for installing, testing, repairing or removing Telephone Company services.

2.5.3 Design of Customer Services

Subject to the provisions of Section 2.2.5, the customer shall be solely responsible, at its own expense, for the overall design of its services and for any redesigning or rearrangement of its services which may be required because of changes in facilities, operations or procedures of the Telephone Company, minimum protection criteria or operating or maintenance characteristics of the facilities.



---

ACCESS SERVICE

---

2. General Regulations (Cont'd)

2.5 Obligations of the Customer (Cont'd)

2.5.4 References to the Telephone Company

The customer may advise End Users that certain services are provided by the Telephone Company in connection with the service the customer furnishes to End Users; however, the customer shall not represent that the Telephone Company jointly participates in the customer's services.

2.5.5 Assignment or Transfer of Service

The customer may not assign or transfer the use of services provided under this Guide; however, where there is no interruption of use or relocation of the services, such assignment or transfer may be made to:

- (A) another customer, whether an individual, partnership, association or corporation, provided the assignee or transferee assumes all outstanding indebtedness for such services, and the unexpired portion of the minimum period and the termination liability applicable to such services, if any; or
- (B) a court-appointed receiver, trustee or other person acting pursuant to law in bankruptcy, receivership, reorganization, insolvency, liquidation or other similar proceedings, provided the assignee or transferee assumes the unexpired portion of the minimum period and the termination liability applicable to such services, if any.

In all cases of assignment or transfer, the written acknowledgment of the Telephone Company is required prior to such assignment or transfer which acknowledgment shall be made within 15 days from the receipt of notification. All regulations and conditions contained in this Guide shall apply to such assignee or transferee.

The assignment or transfer of services does not relieve or discharge the assignor or transferor from remaining jointly or severally liable with the assignee or transferee for any obligations existing at the time of the assignment or transfer.

---

ACCESS SERVICE

---

2. General Regulations (Cont'd)

2.5 Obligations of the Customer (Cont'd)

2.5.6 Interference or Impairment

- (A) All signals for transmission over the services provided under this Guide shall be delivered by the customer balanced to ground except for ground start, duplex (DX) and McCulloh-Loop (Alarm System) type signaling and dc telegraph transmission at speeds of 75 baud or less.
- (B) The characteristics and methods of operation of any circuits, facilities or equipment provided by other than the Telephone Company and associated with the facilities utilized to provide services under this Guide shall not interfere with or impair service over any facilities of the Telephone Company, its affiliated companies, or its connecting and concurring carriers involved in its services, cause damage to their plant, impair the privacy of any communications carried over their facilities or create hazards to the employees of any of them or the public.
- (C) Except as provided for equipment or systems subject to Section 68.108 of the FCC's Rules and Regulations, if such characteristics or methods of operation are not in accordance with (A) and (B) preceding, the Telephone Company will, where practicable, notify the customer that temporary discontinuance of the use of a service may be required; however, where prior notice is not practicable, nothing contained herein shall be deemed to preclude the Telephone Company's right to temporarily discontinue forthwith the use of a service if such action is reasonable under the circumstances. In case of such temporary discontinuance, the customer will be promptly notified and afforded the opportunity to correct the condition which gave rise to the temporary discontinuance. During this period of temporary discontinuance, credit allowance for service interruptions is not applicable.

2.5.7 Damage to Facilities

The customer shall reimburse the Telephone Company for damages to Telephone Company facilities utilized to provide services under this Guide caused by the negligence or willful act of the customer or resulting from the customer's improper use of the Telephone Company facilities, or due to malfunction of any facilities or equipment provided by other than the Telephone Company. Nothing in the foregoing provision shall be interpreted to hold one customer liable for another customer's actions. The Telephone Company will, upon reimbursement for damages, cooperate with the customer in prosecuting a claim against the person causing such damage and the customer shall be subrogated to the right of recovery by the Telephone Company for the damages to the extent of such payment.

---

ACCESS SERVICE

---

2. General Regulations (Cont'd)

2.5 Obligations of the Customer (Cont'd)

2.5.8 Claims and Demands for Damages

- (A) With respect to claims of patent infringement made by third persons, the customer shall defend, indemnify, protect and save harmless the Telephone Company from and against all claims arising out of the combining with, or use in connection with, the services provided under this Guide, any circuit, apparatus, system or method provided by the customer.
- (B) The customer shall defend, indemnify and save harmless the Telephone Company from and against any suits, claims, losses or damages, including punitive damages, attorney fees and court costs by third persons arising out of the construction, installation, operation, maintenance, or removal of the customer's circuits, facilities, or equipment connected to the Telephone Company's services provided under this Guide, including, without limitation, Workmen's Compensation claims, actions for infringement of copyright and/or unauthorized use of program material, libel and slander actions based on the content of communications transmitted over the customer's circuits, facilities or equipment, and proceedings to recover taxes, fines, or penalties for failure of the customer to obtain or maintain in effect any necessary certificates, permits, licenses or other authority to acquire or operate the services provided under this Guide; provided, however, the foregoing indemnification shall not apply to suits, claims, and demands to recover damages for damage to property, death, or personal injury unless such suits, claims or demands are based on the tortuous conduct of the customer, its officers, agents or employees.
- (C) The customer shall defend, indemnify and save harmless the Telephone Company from and against any suits, claims, losses or damages, including punitive damages, attorney fees and court costs by the customer or third parties arising out of any act or omission of the customer in the course of using services provided under this Guide.

---

ACCESS SERVICE

---

2. General Regulations (Cont'd)

2.5 Obligations of the Customer (Cont'd)

2.5.9 Certification of Special Access as Interstate

- (A) Special Access lines, including Access Advantage Plus (AA+) Transport Service, are classified as interstate and provided in accordance with this Guide when the lines carry more than ten percent interstate traffic. When the percent of interstate usage is less than ten percent, the lines will be provided in accordance with the appropriate intrastate tariff.
- (B) The customer shall certify whether or not interstate traffic is greater than ten percent of the total traffic carried on the Special Access line(s). This certification will be provided to the Telephone Company by the customer as follows:
- when ordering the line(s) via the Access Service Request (ASR) form, or
  - in the form of written correspondence with clear identification of each line involved and the customer designated jurisdiction associated with each line at the time that the line(s) are ordered.
- (C) With respect to billing disputes regarding the jurisdiction of a Special Access Service, the customer shall be required to provide to the Telephone Company general information on system design and function that is used by the customer to determine the jurisdiction of the Special Access Service.

---

ACCESS SERVICE

---

2. General Regulations (Cont'd)

2.6 Connections

Equipment and Systems, i.e., terminal equipment, multiline terminating systems and communications systems, may be connected with Switched and Special Access Service furnished by the Telephone Company where such connection is made in accordance with the provisions specified in Technical Reference Publication AS No. 1.

2.7 Reserved

---

ACCESS SERVICE

---

2. General Regulations (Cont'd)

2.7 Reserved

---

ACCESS SERVICE

---

2. General Regulations (Cont'd)

2.7 Reserved

---

ACCESS SERVICE

---

2. General Regulations (Cont'd)

2.7 Reserved



---

ACCESS SERVICE

---

2. General Regulations (Cont'd)

2.7 Reserved

---

ACCESS SERVICE

---

2. General Regulations (Cont'd)

2.7 Reserved

---

ACCESS SERVICE

---

2. General Regulations (Cont'd)

2.7 Reserved

---

ACCESS SERVICE

---

2. General Regulations (Cont'd)

2.8 Payment Regulations

2.8.1 Deposits

To protect itself from the risk of non-payment, the Telephone Company may require a customer to provide a cash deposit in those instances specified in 2.8.1(A) below.

(A) There is a proven history of late payments or the customer has not demonstrated established credit. A proven history of late payments is defined as 2 or more occasions within the preceding 12 months in which payment(s) for the undisputed charges of that month's total billings (sum of all bills sent in that month for all accounts for all services provided under this Guide by the Telephone Company) was

- (1) not received within 3 business days following the payment due date and
- (2) the payment(s) not received within 3 business days represented at least 10% of the month's total billings for all accounts for all services provided under this Guide by the Telephone Company.

Example for January 2005 billings:

Assume:

\$100 payment for a January billing received on the due date  
\$100 payment for a January billing received 1 business day late  
\$100 payment for a January billing received 4 business days late

Total January billings for all accounts for all services provided under this Guide by the Telephone Company sum to \$300. There are no disputes.

One payment is recognized as being late since it is beyond 3 business days late and it represents 33% of the monthly billings. This would represent the first occasion of a monthly late payment.

Disputed billed amounts for the sake of this section are disputed via the process outlined in 2.8.3.

---

ACCESS SERVICE

---

2. General Regulations (Cont'd)

2.8 Payment Regulations

2.8.1 Deposits

(A) (Cont'd)

In the event that a customer has a history of late payments or has not demonstrated established credit, the Telephone Company may require the customer to pay a two-month deposit based on the total charges billed and rendered by the Telephone Company for the most recent two months of service. In the event the customer has not received two months of service from the Telephone Company, the two-month deposit will be based on charges estimated by the Telephone Company for the initial two-month period.

The Telephone Company will provide the customer written notice by Overnight Delivery as described in 2.3(A) if a deposit is required under this section. The customer must pay the two-month deposit within 15 business days following the date the written notice is sent to the customer. Such notice period will begin the day after the notice is sent. If the customer fails to pay the deposit by the due date, as described above, the Telephone Company may send the customer a written notice by Overnight Delivery stating that if the deposit is not received within 15 calendar days of the original deposit due date, the Telephone Company may take any or all of the actions specified in Section 2.3(A).

Simple interest at a rate outlined in 2.8.1(A)(1), following, will accrue on cash deposits. Simple interest will be applied for the number of days from the date the customer deposit is received by the Telephone Company to and including the date such deposit is credited to the customer's account or the date the deposit is refunded by the Telephone Company.

The cash deposit will be returned, with any accrued, uncredited interest within 15 business days of when a customer with a history of late payments or no established credit history demonstrates a one-year prompt payment record (undisputed billed balances are paid within the bill payment requirements outlined in 2.8.2(B)). In the event the provision of all service to the customer is terminated and the Telephone Company maintains a cash deposit from the customer, the deposit and any accrued, uncredited interest will be applied to any outstanding sums owed to the Telephone Company, and any remaining balance will be returned to the customer.

---

ACCESS SERVICE

---

2. General Regulations (Cont'd)

2.8 Payment Regulations

2.8.1 Deposits

(A) (Cont'd)

<u>State</u>	<u>Interest Rate</u>
Connecticut	In the case of a cash deposit, for the period the deposit is held by the Telephone Company, the Customer will receive simple interest at the rate of 1.5% per month (.0004931 per day) or 18% annually.

2.8.2 Billing and Payment Dates

(A) End User Access Service and Presubscription

The Telephone Company will establish a monthly billing date for each end user account and shall bill all End User Access Service and Presubscription charges incurred by, and credits due to, the customer under this Guide on a current basis. Charges shall be billed in advance for services to be provided during the ensuing billing period, except for the Federal Government, which will be billed in arrears. Any applicable current charges, any known unbilled charges for prior periods and any known unbilled adjustments for prior periods will be applied to this bill. Bills are due when rendered.

---

ACCESS SERVICE

---

2. General Regulations (Cont'd)

2.8 Payment Regulations (Cont'd)

2.8.2 Billing and Payment Dates (Cont'd)

(B) Service Other Than End User Access Service and Presubscription

The Telephone Company will establish a monthly billing date for each customer account and shall bill all charges incurred by, and credits due to the customer under this Guide on a current basis. Charges are billed in advance for services to be provided during the next billing period, except for usage sensitive charges and charges to the Federal Government which are billed in arrears. The bill will cover nonusage sensitive charges for the next billing period, any known unbilled nonusage sensitive charges for prior billed periods, and usage charges accrued since the last billing date. Any known unbilled usage charges or adjustments for prior periods will also be applied to the bill.

Bills are due in immediately available funds 31 days after the billing date or by the next billing date, whichever is the shortest interval, except when this would cause payment to be due on a Saturday, Sunday or Holiday. If the payment due date falls on a Saturday, Sunday or a Holiday the payment date shall be the first business day following such Saturday, Sunday or Holiday.

Immediately available funds denote a corporate or personal check drawn on a bank account and funds which are available for use by the receiving party on the same day on which they are received and include U.S. Federal Reserve bank wire transfers, U.S. Federal Reserve notes (paper cash), U.S. coins, U.S. Postal Money Orders and New York Certificates of Deposit.

The holidays covered by this regulation include New Year's Day, Independence Day, Labor Day, Thanksgiving Day, Christmas Day, the second Tuesday in November and a day when Washington's Birthday, Memorial Day or Columbus Day is legally observed.

If any portion of the payment is received by the Telephone Company after the payment date, or if any portion of the payment is received by the Telephone Company in funds which are not immediately available to the Telephone Company, then a late payment penalty shall be due to the Telephone Company. The late payment penalty shall be the portion of the payment not received by the payment date multiplied by a late factor. The late factor shall be simple interest at the rate of 1.5% per month (.0004931 per day) or 18% annually.

---

ACCESS SERVICE

---

2. General Regulations (Cont'd)

2.8 Payment Regulations (Cont'd)

2.8.3 Billing Disputes

- (A) In the event that a billing dispute occurs concerning any charges billed to the customer by the Telephone Company the following regulations will apply.
- (1) A good faith dispute requires the customer to provide a written claim to the Telephone Company. Instructions for submitting a dispute can be obtained by calling the billing inquiry number shown on the customer's bill. Such claim must identify in detail the basis for the dispute, the account number under which the bill has been rendered, the date of the bill and the specific items on the bill being disputed, to permit the Telephone Company to investigate the merits of the dispute.
  - (2) The date of the dispute shall be the date on which the customer furnishes the Telephone Company the account information required by Section 2.8.3(A)(1).
  - (3) The date of resolution shall be the date on which the Telephone Company completes its investigation of the dispute, notifies the customer in writing of the disposition and, if the billing dispute is resolved in favor of the customer, applies the credit for the amount of the dispute resolved in the customer's favor to the customer's bill.
  - (4) If the dispute is decided to be in favor of the Telephone company, then the resolution date will be the date upon which a written decision on this dispute is sent to the customer.
- (B) Any payments withheld pending settlement of the dispute shall be subject to the late payment penalty set forth in 2.8.2(B) preceding.
- (C) If the customer disputes the bill in writing on or before the payment date and pays the undisputed amount on or before the payment date, any late payment charge for the disputed amount will not start until 10 working days after the payment date.



---

ACCESS SERVICE

---

2. General Regulations (Cont'd)

2.8 Payment Regulations (Cont'd)

2.8.3 Billing Disputes (Cont'd)

(D) If the billing dispute is resolved in favor of the customer, no late payment penalty will apply to the disputed amount.

(C)

(1) In addition, if the customer disputes the bill amount in writing and pays the total amount (i.e., the undisputed amount and the disputed amount) and the billing dispute is resolved in the favor of the customer, the Telephone Company will refund the disputed amount plus a disputed amount penalty from the date the customer paid the bill to the date of the resolution of the dispute.

(C)

(2) The disputed amount penalty shall be the disputed amount resolved in the customer's favor times a penalty factor. The penalty factor shall be simple interest at the rate of 1.5% per month (.0004931 per day) or 18% annually.

---

ACCESS SERVICE

---

2. General Regulations (Cont'd)

2.8 Payment Regulations (Cont'd)

2.8.4 Adjustments for Services Discontinued in a Billing Period

Adjustments for the quantities of services established or discontinued in any billing period beyond the minimum period set forth for services in other sections of this Guide will be prorated to the number of days or major fraction of days based on a 30 day month. Upon request, the Telephone Company will furnish such detailed information as may reasonably be required for verification of any bill if such information is available.

2.8.5 Rounding

When a rate in this Guide is shown to more than two decimal places, the charges will be determined using the rate shown. The resulting amount will then be rounded to the nearest penny, i.e., rounded to two decimal places.

2.8.6 Multiple Copies of Bills

When more than one copy of a customer bill for services provided under the provisions of this Guide is furnished to the customer, an additional charge applies for each additional copy of the bill as set forth in Section 13.1.

---

ACCESS SERVICE

---

2. General Regulations (Cont'd)

2.9 Billing of Access Service Provided by Multiple Companies

When an Access Service is ordered by a customer where one end of the service is in one Exchange Telephone Company operating territory and the other end is in another Exchange Telephone Company operating territory, the Exchange Telephone Companies involved will agree upon a billing, design and ordering arrangement which is consistent with the provisions contained in this section and the Ordering and Billing Forum standards, Multiple Exchange Carrier Access Billing (MECAB) and Multiple Exchange Carrier Ordering and Design (MECOD). The multiple bill arrangement, as described following, is the only option available to the customer. If any changes are made in these arrangements, the Exchange Telephone Companies involved will give affected customers 30 days notice prior to implementation.

At the time an order is placed, the customer will be notified of the arrangement which will apply and any pertinent information pertaining thereto, e.g., the entity to which payment should be made, the entity to which billing inquiries should be made, the entity which will be responsible for adjustments to bills, etc.

2.9.1 Arrangement for Feature Group A (FGA) Service

(A) Ordering

The company where the first point of switching is located shall accept the order for FGA service. The other company(ies) involved shall also receive copy of the order from the customer.

(B) Rating and Billing of Service

The company that accepts the order for service will arrange to provide the service, bill and collect all appropriate charges in accordance with the regulations, rates and charges in its Access Service tariff.

2.9.2 Multiple Bill Arrangement for Service Other than FGA

(A) General

Separate bills will be rendered by the Exchange Telephone Companies for Access Service other than FGA.

(B) Ordering

Each company will accept an order for service from the customer.

---

---

ACCESS SERVICE

---

2. General Regulations (Cont'd)

2.9 Billing of Access Service Provided by Multiple Companies (Cont'd)

2.9.2 Multiple Bill Arrangement for Service Other than FGA (Cont'd)

(C) Rating and Billing of Service

Each company will provide its portion of the Access Service based on the regulations, rates and charges contained in its Access Service tariff, subject to the following rules, as appropriate:

- (1) Each Telephone Company's portion of the Local Transport and Channel mileage will be developed as follows:
  - (a) The total mileage for the service is computed using the V&H Coordinate Method set forth in National Exchange Carrier Association, Inc. Tariff F.C.C. No. 4 (NECA No. 4)
  - (b) A billing factor is determined from NECA No. 4 for the Telephone Company premises and/or the interconnection point(s) involved
  - (c) Originating rates are applicable when originating Tandem Switched Transport is provided. Terminating Tandem 3rd Party rates are applicable when Terminating Tandem Switched Transport is provided through a Frontier Telephone Companies ILEC Access Tandem and the Terminating End Office is not owned by a Frontier Telephone Companies ILEC. Terminating Tandem 3rd Party rates are also applicable when Terminating Tandem Switched Transport is provided through an ILEC Access Tandem not owned by a Frontier Telephone Companies ILEC and the Terminating End Office is owned by a Frontier Telephone Companies ILEC (including Direct-Trunked Transport arrangements), otherwise, Terminating – Tandem End Office rates apply.

Examples of this methodology are shown in Section 2.9.2 D.

---

ACCESS SERVICE

---

2. General Regulations (Cont'd)

2.9 Billing of Access Service Provided by Multiple Companies (Cont'd)

2.9.2 Multiple Bill Arrangement for Service Other than FGA (Cont'd)

(C) Rating and Billing of Service (Cont'd)

(2) The application of nondistance sensitive rate elements varies according to the rate structure and the location of the facilities involved:

- (a) When rates and charges are listed on a per point of termination basis, 100% of this company's rates will be billed for the termination(s) within this company's operating territory only.
- (b) When rates and charges are listed on a per unit basis, e.g., central office bridging or multiplexing, 100% of this company's rates and charges will apply for units located in this company's operating territory only.
- (c) When rates and charges are developed on an individual case basis, such rates will be developed for the portion of the service provided by this company.
- (d) When rates and charges are listed on a per minute of use basis, e.g., Tandem-Switching charge, 100% of this Company's rates will be billed if the Telephone Company access tandem is located in this company's operating territory.
- (e) Pursuant to meet point billing agreements between the Telephone Company and certain Certified Local Exchange Carriers (CLECs), the Telephone Company may also assess the interconnection charge when traffic has originated or terminated at CLEC end offices.

(3) There are no intermediate, non-terminating exchange carriers in the company's operating territory. No termination charges are imposed by any intermediate, non-terminating exchange carriers in a jointly-provided meet point billing access arrangement associated with this company.

---

ACCESS SERVICE

---

- 2. General Regulations (Cont'd)
  - 2.9 Billing of Access Service Provided by Multiple Companies (Cont'd)
    - 2.9.2 Multiple Bill Arrangement for Service Other than FGA (Cont'd)

---

ACCESS SERVICE

---

- 2. General Regulations (Cont'd)
  - 2.9 Billing of Access Service Provided by Multiple Companies (Cont'd)
    - 2.9.2 Multiple Bill Arrangement for Service Other than FGA (Cont'd)

---

ACCESS SERVICE

---

- 2. General Regulations (Cont'd)
  - 2.9 Billing of Access Service Provided by Multiple Companies (Cont'd)
    - 2.9.2 Multiple Bill Arrangement for Service Other than FGA (Cont'd)



---

ACCESS SERVICE

---

- 2. General Regulations (Cont'd)
  - 2.9 Billing of Access Service Provided by Multiple Companies (Cont'd)
    - 2.9.2 Multiple Bill Arrangement for Service Other than FGA (Cont'd)

---

ACCESS SERVICE

---

- 2. General Regulations (Cont'd)
  - 2.9 Billing of Access Service Provided by Multiple Companies (Cont'd)
    - 2.9.2 Multiple Bill Arrangement for Service Other than FGA (Cont'd)

---

ACCESS SERVICE

---

- 2. General Regulations (Cont'd)
  - 2.9 Billing of Access Service Provided by Multiple Companies (Cont'd)
    - 2.9.2 Multiple Bill Arrangement for Service Other than FGA (Cont'd)

---

ACCESS SERVICE

---

- 2. General Regulations (Cont'd)
  - 2.9 Billing of Access Service Provided by Multiple Companies (Cont'd)
    - 2.9.2 Multiple Bill Arrangement for Service Other than FGA (Cont'd)

ACCESS SERVICE

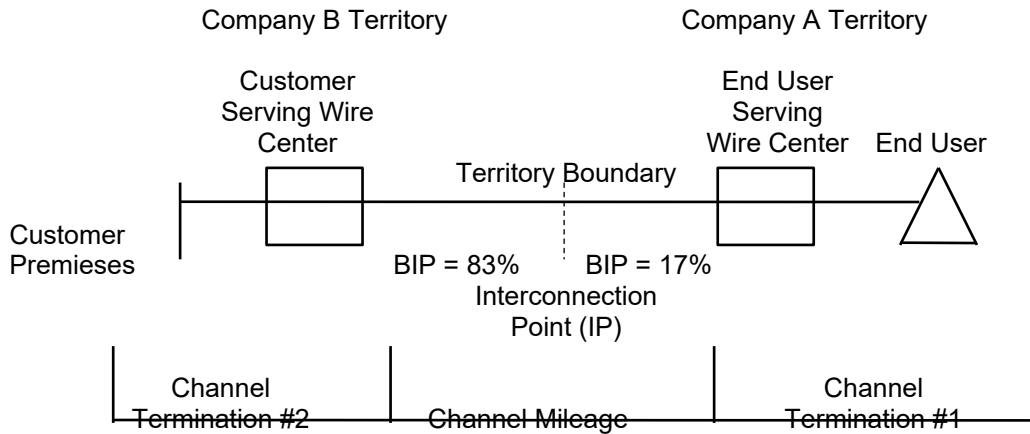
2. General Regulations (Cont'd)

2.9 Billing of Access Service Provided by Multiple Companies (Cont'd)

2.9.2 Multiple Bill Arrangement for Service Other than FGA (Cont'd)

(E) Multiple Bill Example for Special Access Service

Assume that a two-wire Voice Grade Special Access Service is ordered to an end user in the operating territory of Company A. The Customer Premises is located in the operating territory of Company B.



ACCESS SERVICE

---

2. General Regulations (Cont'd)

2.9 Billing of Access Service Provided by Multiple Companies (Cont'd)

2.9.2 Multiple Bill Arrangement for Service Other than FGA (Cont'd)

(E) Multiple Bill Example for Special Access Service (Cont'd)

(1) Channel Mileage Charge Computation

Assumed Channel Mileage using NECA No. 4 = 20 miles  
 Assumed Billing Percentages using NECA No. 4 –  
 Company A = 17%  
 Company B = 83%

Assumed Rates:

	Company A	Company B
--	-----------	-----------

Channel Mileage

- Fixed	N/A	\$42.58
- Per Mile	\$2.41	\$2.55
- Termination	\$14.09	N/A

Company A = [(\$2.41 x 20) x .17] + \$14.09 = \$22.28  
 Billed Channel Mileage Charge

Company B = [\$42.58 + (\$2.55 x 20)] x .83 = \$77.67  
 Billed Channel Mileage Charge

---

ACCESS SERVICE

---

2. General Regulations (Cont'd)

2.9 Billing of Access Service Provided by Multiple Companies (Cont'd)

2.9.2 Multiple Bill Arrangement for Service Other than FGA (Cont'd)

(E) Multiple Bill Example for Special Access Service (Cont'd)

(2) Channel Termination Monthly Charges

Assumed Charges - Company A = \$33.12  
Company B = \$27.18

Company A = \$33.12  
Billed Monthly Channel Termination Charge (#1)

Company B = \$27.18  
Billed Monthly Channel Termination Charge (#2)

(3) Channel Termination Installation Charges

Assumed Charges - Company A = \$223.24  
Company B = \$233.82

Company A = \$223.24  
Billed Channel Termination Installation Charge (#1)

Company B = \$233.82  
Billed Channel Termination Installation Charge (#2)

(4) Special Access Surcharge

Assumed Charges - Company A = \$25.00  
Company B = \$25.00

Company A = \$25.00 Billed Special Access Surcharge  
Company B = No charge applies

---

ACCESS SERVICE

---

2. General Regulations (Cont'd)

2.10 Minimum Period Regulations

2.10.1 General

The minimum period is the length of time for which a customer is required to make payment when Access Services are provided. The minimum period for which Access Service is provided is one month, except as follows:

- (A) Reserved
- (B) The minimum period for Special Access Service provided at daily rates, e.g., Program Audio and Video Special Access Service, is one day, i.e., a continuous 24 hour period, not limited to a calendar day, even though the Access Order, e.g. one-half hour, two-hours, etc.
- (C) The minimum service period for Cooperative Scheduled Testing and Manual Scheduled Testing Services is one year and annually thereafter.
- (D) Reserved
- (E) The minimum period for a Specialized Service is established with each individual case filing. If not specified, the minimum period is one month.
- (F) The minimum service period for DS3 (44.736 Mbps) High Capacity Special Access Service is 12 months. When a DS3 service is discontinued prior to the end of the minimum period, the customer will be liable for the total monthly charges for the remaining portion of the applicable minimum period. This charge will be based on the rates in effect at the time of disconnect. (C)
- (G) Reserved
- (I) Reserved



---

ACCESS SERVICE

---

2. General Regulations (Cont'd)

2.10 Minimum Period Regulations (Cont'd)

2.10.1 General (Cont'd)

- (J) The minimum period for 1.544 Mbps High Capacity Special Access Services offered under an Optional Payment Plan (OPP) is three months.
- (K)
- (L) The minimum period for Multichannel Video Service<sup>(1)</sup> is twelve months.
- (M) The minimum period for Internet Network Access Service is one year.
- (N) The minimum period for Optical Carrier Network (OCN) Point-to-Point Service is twelve (12) months for a one year Term Pricing Plan (TPP), thirty-six (36) months for a three year TPP, and sixty (60) months for a five year TPP. After the minimum period is satisfied, the monthly extension rate will apply unless a TPP is selected.
- (O) The minimum period for Access Advantage Plus (AA+) Transport Service is twelve months for a one year Term Pricing Plan (TPP), twenty-four months for a two year TPP and thirty-six months for a three year TPP.

<sup>(1)</sup> Effective August 25, 2011, MVS is no longer available to new customers. There is no change for existing customers.

---

ACCESS SERVICE

---

2. General Regulations (Cont'd)

2.10 Minimum Period Regulations (Cont'd)

2.10.2 Minimum Period Charges

When a service is discontinued prior to the expiration of the minimum period, a minimum period charge will apply. In addition, all nonrecurring charges associated with the provision of the service will be billed, e.g., installation of service and/or optional features, Service Order Modification Charges, Additional Labor Charges, etc.

(A) Services with a Minimum Period of One Month or Less

The minimum period charge is computed by applying the monthly or daily rate level in effect at the time service is discontinued for the minimum period, e.g., one day, one month, etc.

(B) Services with a Minimum Period Greater Than One Month

- (1) With the exception of Directory Assistance Service, the minimum period charge will be the lesser of (a) the Telephone Company's total non recoverable costs less the net salvage value for the discontinued service or (b) the total monthly charges at the rate level in effect at the time service is discontinued, for the remainder of the minimum period. The minimum charge for Directory Access Service is equal to the total non recoverable costs.
  - (2) The minimum period charge for 44.736 Mbps High Capacity Service is 100% of the monthly rate applicable to the initial 12 month period of the payment plan. In addition, a Termination Liability charge associated with the one, three or five year Optional Payment Plan (OPP) may apply as set forth in 2.11.1.1 following.
  - (3)
  - (4) The minimum period charge for 1.544 Mbps High Capacity Special Access Services offered under an Optional Payment Plan (OPP) is 100% of the monthly rate applicable to the initial 3 month period of the plan. In addition, a Termination Liability Charge associated with the OPP may apply as set forth in 2.11.1.1 following.
-

---

ACCESS SERVICE

---

2. General Regulations (Cont'd)

2.10 Minimum Period Regulations (Cont'd)

2.10.2 Minimum Period Charges (Cont'd)

(B) Services with a Minimum Period Greater Than One Month (Cont'd)

(5)

(6) The minimum period charge for Multichannel Video Service(1) is 100% of the monthly rate applicable to the initial twelve month period of service.

(7) The minimum period charge for Optical Carrier Network (OCN) Point-to-Point Service is 100% of the monthly rate applicable to the initial 36 month period of service.

(8) A minimum period charge does not apply to Access Advantage Plus (AA+) Transport Service.

---

ACCESS SERVICE

---

2. General Regulations (Cont'd)

2.10 Minimum Period Regulations (Cont'd)

2.10.3 Effect of Rearrangements and Changes on the Minimum Period

(A) Rearrangements Which Change the Minimum Period

The following service rearrangements and changes will be treated as the discontinuance of an existing service and the installation of a new service. A new minimum period will be established for the new service and all associated nonrecurring charges will apply for the new service. The customer will also remain responsible for all outstanding minimum period obligations associated with the disconnected service.

- (1) A change of customer of record, i.e., Access Service is provided and billed to a different entity with no assumption of outstanding charges and/or liabilities.
  - (2) A move to a different building.
  - (3) A change of service type, i.e., Switched Access to Special Access, one type of Special Access to another, or one type of Switched Access to another, except as set forth in Section 6.
  - (4) A change in the type of Special Access Service Channel Termination.
  - (5) A change in Switched Access Service or Directory Assistance Service Interface Group.
  - (6)
  - (7) Change from two-point to multipoint or from multipoint to two-point Special Access Service.
  - (8) A change in STP Access Mileage connection.
  - (9) A change in STP Port Termination.
  - (10) A change in STP Access Connection.
  - (11) A change in Entrance Facility or Direct-Trunked Transport capacity.
-

---

ACCESS SERVICE

---

2. General Regulations (Cont'd)

2.10 Minimum Period Regulations (Cont'd)

2.10.3 Effect of Rearrangements and Changes on the Minimum Period (Cont'd)

(B) Changes Which Do Not Change the Minimum Period

The following administrative changes will be made without charge to the customer if they result in the continued provision and billing of the Access Service:

- (1) Change of customer name,
- (2) Change of customer or customer's end user premises address when the change is not a result of a physical relocation of equipment,
- (3) Change in billing data, i.e., name, address, contact name or telephone number,
- (4) Change of customer circuit identification,
- (5) Change of customer test line number,
- (6) Change of customer or customer's end user contact name or telephone number,
- (7) Change of jurisdiction, or
- (8) Change resulting from assignment or transfer of service with the assumption of outstanding charges and/or liabilities, as set forth in Section 2.5.5.

A move of a point of termination at the customer premises or a move of a customer premises to a new location within the same building without an interruption of service or billing, other than that required to make the move, will not result in a change in the minimum period requirements.

## ACCESS SERVICE

2. General Regulations (Cont'd)2.11 Types of Rates and Charges

This section contains information pertaining to the different types of rates and charges in this Guide.

2.11.1 Monthly Rates (MR)

Flat recurring rates that apply each month, or fraction thereof, that a service or specific rate element is provided. For billing purposes, each month is considered to have 30 days.

2.11.1.1 Optional Payment Plans (OPPs) #

(C)

(A) Description

An Optional Payment Plan (OPP) is a provision that allows a customer to select specific Special Services over a selected commitment period or term. Special Access DS3 (High Capacity 44.736 Mbps) Service is available with OPPs of 1, 3 and 5 year terms. Multichannel Video Service<sup>(1)</sup> is available with an OPP of a 3 year term. All other services are available with OPPs of 1, 3 and 5 year terms. During the effective term, rate decreases will automatically be applied to the monthly payments for the remaining months of the OPP. Monthly rates for services installed under this arrangement are subject to the terms and conditions contained in the preceding Legal Notice for Telephone Company-initiated rate increases (i.e. rates for plans subscribed to prior to November 1, 2018 will not be subject to company-initiated rate increases until those pre-existing terms expire after November 1, 2018 and the services will be subject to company initiated rate increases). Rate changes due to zone restructures will flow through to the affected rate elements.

The following services are offered under an OPP:

- (1) DS3 (High Capacity 44.736 Mbps) Service rates and charges which apply to services billed under an OPP are set forth in 24.5.2.6.

# Effective November 19, 2021, Optional Payment Plans (OPPs) are no longer permitted. DS1 and DS3 Optional Payment Plans in effect as of November 19, 2021 may continue the existing term but will not be eligible to extend, renew, reenroll in, convert to a new term period, or in any other way continue their existing plan beyond its current expiration. At expiration of the term the service will convert to the Month to Month rate. If at any time an existing customer terminates its DS1 or DS3 Optional Payment Plan, the customer may not re-subscribe to the plan. (N)

- (1) Effective August 25, 2011, MVS is no longer available to new customers. There is no change for existing customers.

---

ACCESS SERVICE

---

2. General Regulations (Cont'd)

2.11 Types of Rates and Charges (Cont'd)

2.11.1.1 Optional Payment Plans (OPPs) (Cont'd) #

(C)

(A) Description (Cont'd)

- (2) DS1 (High Capacity 1.544 Mbps) Services offered under an OPP will have monthly rates reduced for the Entrance Facility, Channel Termination, Direct Trunked Transport, Mileage and DS1-VG Multiplexer rate elements as set forth in 24.5.2.6 following.
- (3) Fractional DS1 service rates and charges which apply to services billed under an OPP are set forth in 24.5.2.6 following.
- (4) Digital Data Service (DDS) 56 Kbps and 64 Kbps rates and charges which apply to a service billed under an OPP are set forth in 24.5.2.5.
- (5) Multichannel Video Service<sup>(1)</sup> rates and charges which apply to a service billed under an OPP are set forth in 24.5.2.4.

# Service Offer is limited. See footnote on page 2-47

(N)

<sup>(1)</sup> Effective August 25, 2011, MVS is no longer available to new customers. There is no change for existing customers.

---

ACCESS SERVICE

---

2. General Regulations (Cont'd)

2.11 Types of Rates and Charges (Cont'd)

2.11.1.1 Optional Payment Plans (OPPs) (Cont'd) #

(C)

(A) Description (Cont'd)

(7) DS1 (High Capacity 1.544 Mbps) Collocation Transport Services offered under an OPP will have monthly rates reduced for the Inter/Intra Office(Fixed and Per Mile) as set forth in 24.5.2.6.

Customers subscribing to an OPP will be subject to nonrecurring charges for installation and for rearrangements of services covered by the plan. Nonrecurring charges will not be spread over an OPP term. If the customer subscribes to an OPP on an existing service and requests no other changes to the service, no nonrecurring charge will apply.

# Service Offer is limited. See footnote on page 2-47

(N)



---

ACCESS SERVICE

---

2. General Regulations (Cont'd)

2.11 Types of Rates and Charges (Cont'd)

2.11.1.1 Optional Payment Plans (OPPs) (Cont'd) #

(B) Termination Liability

A termination liability applies during the selected commitment period. If service is disconnected in full or in part prior to the end of the selected commitment period, the customer is liable for a termination liability charge. Further, except as provided in (C), (D) and (E) following, when a customer cancels an OPP prior to the end of the selected commitment period, the customer is liable for a termination liability charge.

The termination liability charge applies to each service disconnected or, in the case of cancellation of an OPP, to each service which had been included in the canceled OPP.

It is the customer's responsibility to give the Telephone Company notice of the intent to terminate an OPP. Recurring charges will apply for a period of thirty (30) business days from the date the Telephone Company receives the termination notice or until the requested termination date, if longer than thirty (30) business days. These charges will apply during this period whether or not the customer continues to use the service. (C) (C)

The termination liability charge is calculated as set forth in (1) or (2) following. The Telephone Company will apply the option which produces the lowest termination liability charge to the customer.

# Service Offer is limited. See footnote on page 2-47

ACCESS SERVICE

---

2. General Regulations (Cont'd)

2.11 Types of Rates and Charges (Cont'd)

2.11.1.1 Optional Payment Plans (OPPs) (Cont'd) # (C)

(B) Termination Liability (Cont'd)

(1) Option 1

Customers requesting termination of service are liable for the minimum period service charge and the following termination liability percentages. The termination liability charges are applied as follows:

DS3 termination liability percentages are applied to the applicable Entrance Facility, Channel Termination, Direct Trunk Transport, Mileage and DS3-DS1 multiplexer monthly rates for the remaining months of the OPP as follows:

<u>OPP</u>	<u>Percentages</u>
1 Year Plan	75
3 Year Plan	75
5 Year Plan	60

DS1, Fractional DS1, 56 Kbps, 64 Kbps, Multichannel Video Service<sup>(1)</sup> and INAS DS1 and DS3 Capacity service termination liability will be assessed at 50% of the applicable Entrance Facility, Channel Termination, Direct Trunked Transport, Mileage, DS1-VG multiplexer, INAS Access Link and any applicable optional feature monthly rate elements for the remaining months of the Optional Payment Plan (OPP) as follows:

- (a) For disconnects on or prior to the end of the minimum period, the termination liability charge applies to each month and fraction thereof remaining between the end of the minimum period and the end of the selected commitment period.
- (b) For disconnects after the end of the minimum period but prior to the end of the selected commitment period and for OPP cancellations prior to the end of the selected commitment period, the termination liability charge applies to each month and fraction thereof in the balance of the selected commitment period.

# Service Offer is limited. See footnote on page 2-47 (N)

<sup>(1)</sup> Effective August 25, 2011, MVS is no longer available to new customers. There is no change for existing customers.

---

ACCESS SERVICE

---

2. General Regulations (Cont'd)

2.11 Types of Rates and Charges (Cont'd)

2.11.1.1 Optional Payment Plans (OPPs) (Cont'd) # (C)

(B) Termination Liability (Cont'd)

(2) Option 2

For DS3 services discontinued prior to the end of the minimum period customers are liable for the minimum period service charge and the termination liability charge will be the difference between the full monthly rates and the OPP monthly rates for the period the plan has been in effect.

For DS1, Fractional DS1, 56 Kbps, 64 Kbps, Multichannel Video Service<sup>(1)</sup> and INAS DS1 and DS3 Capacity service discontinued prior to the end of the minimum period, customers are liable for the minimum period service charge and the termination liability charge will be the difference between the full monthly rates and the OPP monthly rates for the period the plan has been in effect. For services discontinued after the end of the minimum period of a plan but prior to the end of the selected commitment period, the following applies:

Where there is no OPP period less than the actual time the service(s) have been in effect, the termination liability charge will be the difference between the full monthly rates and the selected OPP monthly rates for the period the plan has been in effect.

Where there is an OPP period less than the actual time the service(s) have been in effect, the termination liability charge will be the difference between the monthly rates for the longest OPP period that could have been satisfied prior to discontinuation of the service and the monthly rates for the selected commitment period multiplied by the actual number of months the plan has been in effect.

# Service Offer is limited. See footnote on page 2-47

(N)

<sup>(1)</sup> Effective August 25, 2011, MVS is no longer available to new customers. There is no change for existing customers.

---

ACCESS SERVICE

---

2. General Regulations (Cont'd)

2.11 Types of Rates and Charges (Cont'd)

2.11.1.1 Optional Payment Plans (OPPs) (Cont'd) #

(C)

(B) Termination Liability (Cont'd)

(2) Option 2 (Cont'd)

For example:

If a customer subscribes to a 5 year OPP and terminates service during the 48th month, the longest OPP period that could have been satisfied is three years. The customer's termination liability would be calculated as follows:

$(3 \text{ year OPP monthly rate} - 5 \text{ year OPP monthly rate}) \times 48$

The monthly rates used to calculate termination liability charges are not subject to the reductions set forth in 6.1.3 and 7.3.4 following.

When a customer disconnects some, but not all, of its 44.736 Mbps Services, the monthly rates used to calculate termination liability charges are applied in ascending order beginning with the lowest applicable rates.

The termination liability charge applies in addition to applicable minimum period charges.

# Service Offer is limited. See footnote on page 2-47

(N)

---

ACCESS SERVICE

---

2. General Regulations (Cont'd)

2.11 Types of Rates and Charges (Cont'd)

2.11.1.1 Optional Payment Plans (OPPs) (Cont'd)

(D) DS1 OPP Portability Commitment#

DS1 OPP Portability Commitment provides a customer the ability to establish a regional volume commitment in the form of DS1 Channel Terminations and receive a waiver on DS1 OPP Termination Liability, as described in 2.11.1.1 (B), during the life of the Portability Commitment. The Portability Commitment will consist of a Commitment Level (CL), as described below, and has terms of 3-years or 5- years. The Portability Commitment cannot be renewed.

Customers may purchase Special Access DS1 service under DS1 OPP terms of 3 or 5 years and have the associated Channel Terminations count towards the CL. All installation nonrecurring charges will be billed as applicable as described in Section 2.11.1.1(A).

Following are the terms and conditions associated with the DS1 OPP Portability Commitment:

- (1) Customer commits to a 3-year or 5-year Commitment Level (CL) that is reviewed by the Telephone Company on a monthly basis. The initial monthly CL is selected by the customer, subject to a minimum level of 50 DS1 Channel Terminations. The effective date of the Portability Commitment will be the first day of the month immediately following the month in which the customer provides written notification of their participation into the program. By the effective date, the customer must issue ASRs to add DS1 channel terminations to the DS1 OPP Portability Commitment and/or convert existing DS1 channel terminations (billed Month to Month and/or under other term pricing plans) to the DS1 OPP Portability Commitment such that the number of in-plan DS1 Channel Terminations is at least 80% of the CL; and
- (2) Customer must have a minimum of 40 DS1 Channel Terminations in the Portability Commitment each month and at least 80% of the CL in-plan each month; and

# Effective November 21, 2017, new subscriptions to DS1 OPP Portability Commitment are no longer permitted. DS1 OPP Portability Commitment customers subscribed as of November 21, 2017 may continue with their existing subscriptions. If at any time an existing customer terminates its DS1 OPP Portability Commitment, the customer may not re-subscribe to the plan.

---

ACCESS SERVICE

---

2. General Regulations (Cont'd)

2.11 Types of Rates and Charges (Cont'd)

2.11.1.1 Optional Payment Plans (OPPs) (Cont'd)

(D) DS1 OPP Portability Commitment# (Cont'd)

(3) Each month, the total number of 3 and 5 Year DS1 OPP Channel Terminations for the previous month will be calculated and measured against the corresponding monthly CL;

(a) If the total number of Channel Terminations, as calculated above, is between 80% and 124% of the CL, no other charges will apply for the previous month.

(b) If the total number of Channel Terminations, as calculated above, is less than 80% of the CL, the customer will be billed an adjustment factor equal to the lowest prevailing monthly Channel Termination charge, shown in Section 7.16.4 or Section 24.5.2.6 for a 3 or 5 year OPP plan, as applicable, multiplied by the difference between the actual number of Channel Terminations in-service and 80% of the CL.

Example #1: Customer A has a CL = 1,000 Channel Terminations for the month of June, and has a 3 year plan. Customer A must have at least 800 DS1 Channel Terminations in the Portability Commitment to meet the 80% target. In July, the monthly review calculated 795 DS1 Channel Terminations in the Portability Commitment for the month of June. The difference between 80% of the CL (800) and the actual in-plan total (795) is 5 Channel Terminations. Therefore, the customer will be billed an amount equal to 5 Channel Terminations multiplied by the lowest prevailing monthly Channel Termination rate for a 3 year OPP. For subsequent months, customer A will continue to be billed an amount equal to the difference between 80% of the CL and the actual in-plan number of Channel Terminations that are below 80% of the CL (multiplied) by the lowest prevailing monthly 3 year OPP Channel Termination rate, until 80% of the CL is met.

# Service Availability is limited. Refer to # footnote on page 2-54.

---

ACCESS SERVICE

---

2. General Regulations (Cont'd)

2.11 Types of Rates and Charges (Cont'd)

2.11.1.1 Optional Payment Plans (OPPs) (Cont'd)

(D) DS1 OPP Portability Commitment# (Cont'd)

(3) (Cont'd)

- (c) If the total number of in-plan DS1 Channel Terminations, as calculated above, is greater than 124% of the CL, the customer will be billed an adjustment factor equal to the lowest prevailing monthly Channel Termination rate, shown in Section 7.16.4 or Section 24.5.2.6 for a 3 or 5 year plan, as applicable, multiplied by the difference between the actual number of Channel Terminations in-plan and 124% of the CL.

EXAMPLE #2: Customer B has a CL of 500 Channel Terminations and has a 5 year plan. In month 5 of the commitment, Customer B has 650 Channel Terminations in the Portability Commitment. Customer B has exceeded the CL by more than the 124% threshold (620). Customer B will be charged an adjustment factor equal to 30 Channel Terminations (650-620) multiplied by the lowest prevailing monthly Channel Termination rate for a 5 year OPP. For subsequent months, Customer B will continue to be charged the Lowest prevailing monthly Channel Termination rate multiplied by the difference between the actual number of Channel Terminations in- service and 124% of the CL until Customer B no longer exceeds the CL by the 124% threshold.

- (4) Customers may increase the CL at any time by providing written notification to Telephone Company. Credits for previously charged adjustments billed for exceeding the CL will not be provided when a customer increases the CL. However, an adjustment factor will not be billed if notice to increase the CL is provided to the Telephone Company within the calendar month following a reported adjustment, and the CL increase is sufficient that the number of in-service rate elements does not exceed 124% of the new CL. For instance, in Example #2 above, if the Customer increases the CL from 500 to 525 before the end of month 6, the adjustment factor applicable to month 5 will not be billed because the actual in-service volume (650) is less than or equal to the new 124% threshold (651).

# Service Availability is limited. Refer to # footnote on page 2-54.

---

---

ACCESS SERVICE

---

2. General Regulations (Cont'd)

2.11 Types of Rates and Charges (Cont'd)

2.11.1.1 Optional Payment Plans (OPPs) (Cont'd)

(D) DS1 OPP Portability Commitment# (Cont'd)

- (5) If the customer elects to terminate the DS1 OPP Portability Commitment or elects to decrease the CL prior to the 3-year or 5-year commitment, Termination Liabilities will apply. Termination Liability is calculated as the decreased number of Channel Terminations multiplied by the lowest prevailing monthly DS1 recurring Channel Termination rate for the applicable plan (3 year or 5 year), multiplied by the number of months remaining in the term of the Portability Commitment.

EXAMPLE #3: Customer C has a CL equal to 1,000 Channel Terminations. In Month 10 of the 36-month Portability Commitment, Customer C elects to Decrease the CL by 50 Channel Terminations. The Terminations Liability Associated with the decrease is equal to:

(50 Channel Terminations) X (26 months remaining) X (lowest prevailing 3 year OPP monthly recurring DS1 Channel Termination Rate)

(E) Additions of Service

When a customer with an existing OPP wishes to increase the number of services of the same type between the same two locations, it has the following options:

- (1) Subscribe to the additional services under standard rates.
- (2) Subscribe to the additional services under a separate OPP at the then effective OPP rate.
- (3) Cancel the existing OPP and include both the existing and the additional services under a new OPP for a commitment period equal to or longer than the original period. No termination charges apply to such cancellation.

# Service Availability is limited. Refer to # footnote on page 2-54.

---



---

ACCESS SERVICE

---

2. General Regulations (Cont'd)

2.11 Types of Rates and Charges (Cont'd)

2.11.1.1 Optional Payment Plans (OPPs) (Cont'd) #

(F) Extension of Commitment Period

Extension of Commitment Period is not allowed. (C)

(G) Rate Regulations

At the expiration of the commitment period, the service will be converted to the Month to Month rate. (C)

# Service Offer is limited. See footnote on page 2-47 (N)

---

ACCESS SERVICE

---

2. General Regulations (Cont'd)

2.11 Types of Rates and Charges (Cont'd)

2.11.1.1 Optional Payment Plans (OPPs) (Cont'd) #

(C)

(H) Conversion of Existing Shared Use Facilities

In some instances customers choose to mix switched and special access channels on the same DS1 or DS3 facility. When ordering a new switched access facility covered by an OPP or when converting an existing month-to-month switched facility to an OPP, any special access channels that are shared on that switched facility must be covered by a Special Access OPP of the same term length.

Similarly, when ordering a new special access facility covered by an OPP or when converting an existing month-to-month special facility to an OPP, any switched access channels that are shared on that special facility must be covered by a Switched Access OPP of the same term length.

For those shared use facilities already under a special access term plan, customers will have to select one of the following options: 1) convert switched facilities to the same term and expiration date as the special access facilities they are sharing; or 2) terminate the current special access term plan and establish a new term plan of equal or greater length for both the special and switched access services. No termination liabilities will be assessed for termination of the special access plan. If the customer does not select one of the above options, then the month-to-month switched access rates will be maintained.

# Service Offer is limited. See footnote on page 2-47

(N)

---

ACCESS SERVICE

---

2. General Regulations (Cont'd)

2.11 Types of Rates and Charges (Cont'd)

2.11.2 Daily Rates (DR)

Flat recurring rates that apply to each continuous 24 hour period, or fraction thereof, that a Program Audio or Video Special Access Service is provided for part-time or occasional use. For purposes of applying daily rates, the 24 hour period is not limited to a calendar day.

The application of daily rates during a consecutive 30 day period is as follows. Daily rates will be topped at an amount equal to the monthly rate, i.e., the charge to the customer for usage filed at daily rates will not exceed the monthly rate. For each day or partial day of usage after the daily rates have been topped, a charge equal to 1/30th of the monthly rate will apply.

2.11.3 Usage Sensitive Rates

---

ACCESS SERVICE

---

2. General Regulations (Cont'd)

2.11 Types of Rates and Charges (Cont'd)

2.11.4 Distance Sensitive Rates

The application of distance sensitive rates, i.e., Special Access Channel Mileage and Optical Carrier Network (OCN) Point-to-Point Service,(D) requires the determination of the airline distance between a serving wire center (SWC) and an end office or two or more serving wire center (SWC) locations as follows:

(A) Determine the SWC locations:

(1) Reserved

(2) Special Access Service including Switched Access Direct-Trunked Transport and Dedicated Signaling Transport

The SWC locations may be:

- (a) two SWCs associated with customer premises,
- (b) a SWC and a Telephone Company Hub location,
- (c) a SWC and a WATS Serving Office,
- (d) two Telephone Company Hub locations, or
- (e) a SWC and a Telephone Company Access Tandem or End Office.

When Hubs are involved, mileage is computed and rates are applied separately for each section of the Channel Mileage or Direct-Trunked Transport. However, when any service is routed through a Hub for purposes other than customer specified bridging or multiplexing, e.g., the Telephone Company routes via a Hub location for test access purposes, rates will be applied only to the distance calculated between the SWCs associated with the customer premises, end office of Telephone Company Access Tandem.

ACCESS SERVICE

---

2. General Regulations (Cont'd)

2.11 Types of Rates and Charges (Cont'd)

2.11.4 Distance Sensitive Rates (Cont'd)

(B) Compute the mileage between the SWC locations:

- (1) Look up the V&H coordinates of the SWCs in National Exchange Carrier Association, Inc. Tariff F.C.C. No. 4, Wire Center Information and Interconnection.
- (2) Determine the difference between the F&H coordinates, respectively, by subtracting the smaller coordinate from the larger coordinate.
- (3) Square the V&H differences separately.
- (4) Add the squares of the two differences and divide the sum by 10.
- (5) Take the square root of the result obtained in (4).
- (6) Round any fractional value up to the next integer.

Example	<u>V</u>	<u>H</u>
SWC A -	5016	1430
SWC B -	5038	1453
Differences -	22	23
Differences Squared -	484	529
Sum of squared differences -	1013	
Sum divided by 10 -	101.3	
Square root -	10.0648	
Rounded to -	11	

(C) Application of mileage:

- (1)
- (2)
- (3) For Special Access Service, determine the applicable rate mileage band into which the computed mileage falls and multiply the Applicable rates time the mileage.

---

ACCESS SERVICE

---

2. General Regulations (Cont'd)

2.11 Types of Rates and Charges (Cont'd)

2.11.5 Nonrecurring Charges (NRC)

One-time charges that apply for a specific work activity, e.g., installation, rearrangements, moves, etc.:

(A) Installation of Service

Nonrecurring charges apply to each service installed.

For Switched Access Service which is ordered on a per line or per trunk basis, the charge is applied per line or trunk.

(B) Installation of Optional Features and Functions

Nonrecurring charges apply for the installation of certain Special Access Service Optional Features and Functions. Such charges apply whether the feature is installed coincident with the initial installation of service or at any time subsequent to the installation of the service, i.e., a service rearrangement.

(C) Disconnect Non-Recurring Charge (C)

In addition to any other charges associated with discontinuance of services, the Telephone Company will charge a Disconnect Non-Recurring Charge to discontinue services. This charge applies on a per circuit basis as listed in Section 24. In addition to the Disconnect Non-Recurring Charge, minimum service period charges and early termination liability may apply if the circuit term or minimum service period has not been met.

(C)

---

ACCESS SERVICE

---

- 2. General Regulations (Cont'd)
  - 2.11 Types of Rates and Charges (Cont'd)
    - 2.11.5 Nonrecurring Charges (NRC) (Cont'd)

---

ACCESS SERVICE

---

2. General Regulations (Cont'd)

2.11 Types of Rates and Charges (Cont'd)

2.11.5 Nonrecurring Charges (NRC) (Cont'd)

(D) Special Access Service Rearrangements

- (1) If a change involves the addition of an optional feature or function, including Multiplexer Cross Connect, which has a separate nonrecurring charge, the nonrecurring charge applies.
- (2) If the change involves the addition of another leg to an existing multipoint Special Access Service, the nonrecurring charge for the channel termination rate element will apply for the leg that is being added only.
- (3) If the change involves changing the type of signaling on a Voice Grade Special Access Service, a charge equal to the Voice Grade channel termination rate element nonrecurring charge will apply per service termination affected.
- (4) If the change involves the reconfiguration of an existing High Capacity facility into part of a higher bit rate multiplexed Special Access or Direct-Trunked Transport High Capacity facility, a unique charge referred to as a rollover charge will apply to the existing High Capacity facility.

The rollover charge applies to services requiring no additional change(s) at the time of the rollover. If the customer requests any change be made to the service at the time of rollover, the appropriate rearrangement charge(s) shall apply.

Rollover charges are set forth in 7.16.4(A) following.



---

ACCESS SERVICE

---

2. General Regulations (Cont'd)

2.11 Types of Rates and Charges (Cont'd)

2.11.5 Nonrecurring Charges (NRC) (Cont'd)

(D) Special Access Service Rearrangements (Cont'd)

- (5) If the change involves the retermination of an existing Special Access DS1 or DS3 service from the existing point of termination to a DS1 or DS3 cross-connect provided to the collocated space of an interconnect customer subscribing to Expanded Interconnection, then a unique retermination charge shall be assessed per DS1 or DS3. This retermination charge will only apply if the existing DS1 or DS3 service is routed through the same central office as the interconnect customer's collocated space. If the existing DS1 or DS3 service is not routed through the same central office as the interconnect customer's collocated space, then a normal rearrangement charge shall apply as specified herein.

The DS1 and DS3 retermination charges are set forth in 7.16.4 A.

- (6) For all other changes, including the addition of optional features without separate nonrecurring charges, a charge equal to a channel termination rate element nonrecurring charge will apply. Only one such charge per service will apply per change.

---

ACCESS SERVICE

---

2. General Regulations (Cont'd)

2.11 Types of Rates and Charges (Cont'd)

2.11.5 Nonrecurring Charges (NRC) (Cont'd)

(E) Moves

A move involves a change in the physical location of (a) the point of termination at the customer premises or (b) the customer premises. The charges for the move depend on whether the move is to a new location within the same building or to a different building.

- (1) Moves Within the Same Building - The charge will be an amount equal to one half of the nonrecurring charge, i.e., installation charge, for the services affected. There will be no change in minimum period requirements.
- (2) Moves to a Different Building - Moves to a different building will be treated as a discontinuance and start of service and all associated nonrecurring charges will apply. New minimum period requirements will be established for the new service and the customer will remain responsible for satisfying all outstanding minimum period charges for the discontinued service.
- (3) Moving a Service Subject to a Maximum Termination Liability (MTL)

When a service with a maximum termination liability charge is moved to a new location, the customer may elect:

- (a) to pay the unexpired portion of the MTL charge for the service, if any, with the application of a nonrecurring charge and the establishment of a new MTL charge for such service at the new location, or
  - (b) to continue service subject to the unexpired portion of the MTL charge, if any, and pay the estimated costs of moving such service, provided that the customer requests these charges be quoted prior to ordering the service move. Move charges include the estimated costs of removal, restoration of services or facilities necessitated by the move, transportation, storage, reinstallation, engineering, labor, supervision, materials administration, and any other specific items of cost attributed to the move.
-

---

ACCESS SERVICE

---

2. General Regulations (Cont'd)

2.11 Types of Rates and Charges (Cont'd)

2.11.5 Nonrecurring Charges (NRC) (Cont'd)

(F) Reestablishment of Service Following Fire, Flood or Other Occurrence

(1) Nonrecurring Charges Do Not Apply - Charges do not apply for the reestablishment of service following a fire, flood or other occurrence attributed to an Act of God provided that:

(a) The service is of the same type as was provided prior to the fire, flood or other occurrence.

(b) The service is for the same customer.

(c) The service is at the same location on the same premises.

(d) The reestablishment of service begins within 60 days after Telephone Company service is available. The 60 day period may be extended a reasonable period if the renovation of the original location on the premises affected is not practical within the allowed time period.

(2) Nonrecurring Charges Apply - Nonrecurring Charges apply for establishing service at a different location on the same premises or at a different premises pending reestablishment of service at the original location.

2.11.6 Reserved for Future Use (C)

(A) Reserved For Future Use (C)

---

ACCESS SERVICE

---

- 2. General Regulations (Cont'd)
- 2.11 Types of Rates and Charges (Cont'd) (C)
- 2.11.6 Reserved For Future Use (Cont'd) (C)
- (B) Reserved for Future Use

---

ACCESS SERVICE

---

- 2. General Regulations (Cont'd)
- 2.11 Types of Rates and Charges (Cont'd) (C)
- 2.11.6 Reserved for Future Use (Cont'd) (C)
- (B) Reserved for Future Use

---

ACCESS SERVICE

---

2. General Regulations (Cont'd)

2.11 Types of Rates and Charges (Cont'd)

2.11.7 Network Upgrades to higher speed Access Services

- (A) When an existing DS1 or DS3 high capacity service OPP customer converts to a higher speed Access Service, termination liability will not apply on the OPPs if the total service capacity subscribed to on SNET's network remains the same (or increases) between the same two locations.

---

ACCESS SERVICE

---

2. General Regulations (Cont'd)

2.12 Credit Allowance for Service Interruptions

2.12.1 General

A service is interrupted when it becomes unusable to the customer because of a failure of a facility component used to furnish service under this Guide or in the event that the protective controls applied by the Telephone Company result in the complete loss of service by the customer. An interruption period starts when an unusable service is reported to the Telephone Company and ends when the service is usable.

The credit allowance(s) for an interruption or for a series of interruptions shall not exceed the sum of (a) the monthly rates; or (b) the assumed minutes of use charge; or (c) the minimum monthly usage charge, whichever is (are) applicable for the service interrupted in any one monthly billing period.

2.12.2 When a Credit Allowance Applies

In case of an interruption to any service not due to the negligence of the customer, allowance for the period of interruption shall be as follows:

---

ACCESS SERVICE

---

- 2. General Regulations (Cont'd)
  - 2.12 Credit Allowance for Service Interruptions (Cont'd)
    - 2.12.2 When a Credit Allowance Applies (Cont'd)



---

ACCESS SERVICE

---

- 2. General Regulations (Cont'd)
  - 2.12 Credit Allowance for Service Interruptions (Cont'd)
    - 2.12.2 When a Credit Allowance Applies (Cont'd)

---

ACCESS SERVICE

---

2. General Regulations (Cont'd)

2.12 Credit Allowance for Service Interruptions (Cont'd)

2.12.2 When a Credit Allowance Applies (Cont'd)

(B) Special Access Services and Access Advantage Plus (AA+) Transport Service

No credit shall be allowed for an interruption of less than 30 minutes. The customer shall be credited for an interruption of 30 minutes or more at the rate of 1/1440 of the monthly charges for the facility or service for each period of 30 minutes, or major fraction thereof, that the interruption continues, and as specified in Section 2.12.2(F).

The monthly charges used to determine the credit shall be as follows:

- (1) Two-point services - the monthly charge shall be the total of all the monthly rate element charges associated with the service.
- (2) Multipoint services - the monthly charge shall be the total of all the monthly rate element charges associated with that portion of the service that is inoperative between the Hub and a customer premises.
- (3) Multiplexed services - the monthly charge shall be the total of all the monthly rate element charges associated with that portion of the service that is inoperative. When the facility which is multiplexed or the multiplexer itself is inoperative, the monthly charge shall be the total of all the monthly rate element charges associated with the service.

When a service which rides a channel of the multiplexed facility is inoperative, the monthly charge shall be the total of all the monthly rate element charges associated with that portion of the service from the Hub to a customer premises.

- (4) Special Access Services Subject to an Error Performance Standard (Wideband Data, WD1-3; Digital Data, DA1-4; and High Capacity, HC1) - any period during which the error performance is below that specified for the service will be considered as an interruption.
- (5) For multiplexed service ordered under the Shared Network Arrangement, the Host Subscriber, as well as each Service User, must notify the Telephone Company of any service outage in order to receive their portion of the credit allowance.

---

ACCESS SERVICE

---

2. General Regulations (Cont'd)

2.12 Credit Allowance for Service Interruptions (Cont'd)

2.12.2 When a Credit Allowance Applies (Cont'd)

(C)\* Program Audio and Video Special Access Services

No credit shall be allowed for an interruption of less than 30 seconds. The customer shall be credited for an interruption of 30 seconds or more as follows:

(1) Two-point services

- (a) when monthly rates are applicable, the credit shall be at the rate of 1/8640 of the monthly charges for the service for each period of 5 minutes or fraction thereof that the interruption continues.
- (b) when daily rates are applicable, the credit shall be at the rate of 1/288 of the daily charges for the service for each period of 5 minutes or fraction thereof that the interruption continues.

(2) Multipoint services

- (a) when monthly rates are applicable, the credit shall be at the rate of 1/8640 of the monthly charges for the service for each period of 5 minutes or fraction thereof that the interruption continues.
  - (b) when daily rates are applicable, the credit shall be at the rate of 1/288 of the daily charges for the service for each period of 5 minutes or fraction thereof that the interruption continues.
  - (c) the credit for the monthly or daily charges includes the charges for the distribution amplifier only when the distribution amplifier is inoperative.
- (3) Multiple Interruptions - Two or more interruptions which occur during a period of 5 consecutive minutes shall be considered as one interruption.

\* This regulation is limited to existing customers at existing locations as of April 1, 2004.

---

ACCESS SERVICE

---

- 2. General Regulations (Cont'd)
  - 2.12 Credit Allowance for Service Interruptions (Cont'd)
    - 2.12.2 When a Credit Allowance Applies (Cont'd)

- (E) Specialized Services

Specialized Services provided under the provisions of Section 10. or 12 shall be administered in the same manner as those set forth for Special Access Service unless other regulations are specified with the individual case filing.

\* equals a negative amount.

ACCESS SERVICE

2. General Regulations (Cont'd)

2.12 Credit Allowance for Service Interruptions (Cont'd)

2.12.2 When a Credit Allowance Applies (Cont'd)

(F)\* Service Maintenance Guarantee (SMG)

The customer shall be credited the Service Maintenance Guarantee (SMG) credit, specified below, for service interruptions of 2 hours or more in duration. The SMG credit will be applied on the following services:

- Special Access DDS (Section 7.15)
- Special Access Fractional DS1 High Capacity Service (Section 7.16)
- Special Access DS1 High Capacity Service (Section 7.16)
- Special Access DS3 High Capacity Service (Section 7.16)

This credit allowance is in addition to the credit allowance in Section 2.12.2(A)(2) and (B). The SMG credit allowance can only be applied once in any one monthly billing period, on a per circuit basis. The SMG credit allowance is applied to the customer bill in addition to the existing monthly service rates, and in addition to any existing credit allowances. The total credit allowance available to the customer, regardless of the number of service interruptions in any one monthly billing period, will not exceed 100% of the combined monthly rates per affected service.

<u>Interruption Period</u>	<u>Applicable Credit</u>								
More than 30 minutes, but less than 2 hours	1/1440th per 30 minute interval as stated in Section 2.12.2A(2) and 2.12.2B								
2 hours but less than 4 hours	<table border="0"> <tr> <td>DS3</td> <td style="text-align: right;">\$1075</td> </tr> <tr> <td>DS1</td> <td style="text-align: right;">\$120</td> </tr> <tr> <td>Fractional DS1</td> <td style="text-align: right;">\$60</td> </tr> <tr> <td>DDS</td> <td style="text-align: right;">\$45</td> </tr> </table>	DS3	\$1075	DS1	\$120	Fractional DS1	\$60	DDS	\$45
DS3	\$1075								
DS1	\$120								
Fractional DS1	\$60								
DDS	\$45								
Over 4 hours	<table border="0"> <tr> <td>DS3</td> <td style="text-align: right;">\$2150</td> </tr> <tr> <td>DS1</td> <td style="text-align: right;">\$240</td> </tr> <tr> <td>Fractional DS1</td> <td style="text-align: right;">\$120</td> </tr> <tr> <td>DDS</td> <td style="text-align: right;">\$90</td> </tr> </table>	DS3	\$2150	DS1	\$240	Fractional DS1	\$120	DDS	\$90
DS3	\$2150								
DS1	\$240								
Fractional DS1	\$120								
DDS	\$90								

\* This regulation is limited to existing customers at existing locations as of April 1, 2004.

ACCESS SERVICE

---

2. General Regulations (Cont'd)

2.12 Credit Allowance for Service Interruptions (Cont'd)

2.12.2 When a Credit Allowance Applies (Cont'd)

(G) Service Maintenance Guarantee (SMG)

For service interruptions 4 hours or greater, the customer shall be credited as follows:

- (i) For the initial 4 hour outage in a 30 day period, in lieu of the credit described in 2.12.2(A)(2) and 2.12.2(B), the customer will be credited as shown in the schedule below.
- (ii) Additional service interruptions that are 4 hours or greater that occur in the same 30 day period will be calculated at the rate of 1/1440 per 30 minute interval.

The total credit allowance available to the customer regardless of the number or type of service interruptions within a 30 day period will not exceed 100% of the combined monthly rates per affected service.

Interruption Period	Applicable Credit																						
More than 30 minutes but less than 4 hours	1/1440th per 30 minute interval as stated in Section 2.12.2A(2) and 2.12.2B																						
4 Hours or more	<table border="0"> <tr><td>Metallic</td><td style="text-align: right;">\$5.00</td></tr> <tr><td>Telegraph</td><td style="text-align: right;">\$5.00</td></tr> <tr><td>Program Audio</td><td style="text-align: right;">\$10.00</td></tr> <tr><td>Video</td><td style="text-align: right;">\$10.00</td></tr> <tr><td>Voice Grade</td><td style="text-align: right;">\$10.00</td></tr> <tr><td>DDS</td><td style="text-align: right;">\$15.00</td></tr> <tr><td>Fractional DS1</td><td style="text-align: right;">\$120.00</td></tr> <tr><td>DS1</td><td style="text-align: right;">\$120.00</td></tr> <tr><td>Access Advantage</td><td></td></tr> <tr><td>    Plus (AA+)</td><td style="text-align: right;">\$120.00</td></tr> <tr><td>DS3</td><td style="text-align: right;">\$380.00</td></tr> </table>	Metallic	\$5.00	Telegraph	\$5.00	Program Audio	\$10.00	Video	\$10.00	Voice Grade	\$10.00	DDS	\$15.00	Fractional DS1	\$120.00	DS1	\$120.00	Access Advantage		Plus (AA+)	\$120.00	DS3	\$380.00
Metallic	\$5.00																						
Telegraph	\$5.00																						
Program Audio	\$10.00																						
Video	\$10.00																						
Voice Grade	\$10.00																						
DDS	\$15.00																						
Fractional DS1	\$120.00																						
DS1	\$120.00																						
Access Advantage																							
Plus (AA+)	\$120.00																						
DS3	\$380.00																						

---

ACCESS SERVICE

---

2. General Regulations (Cont'd)

2.12 Credit Allowance for Service Interruptions (Cont'd)

2.12.2 When a Credit Allowance Applies (Cont'd)

(H) Packet Switched Data Network Service (PSDN)

The credit Allowance for Packet Switched Data Network Service (PSDN) is described in 19.1.2.

(I) Reserved for Future Use

(J) Video Service Maintenance Guarantee\*

The Video Service Maintenance Guarantee provides a service credit of 100% of the monthly or daily rate, as applicable, for a service interruption of greater than one hour in duration.

The following Video Services are offered with the Video Service Maintenance Guarantee:

- Broadcast Video Service
- Multichannel Video Service<sup>(1)</sup>

The Video Service Maintenance Guarantee can only be applied once in any one monthly billing period, on a per circuit basis, or per leg affected basis for multipoint circuits. For daily rated services, the Video Service Maintenance Guarantee can only be applied once per daily billing period, on a per circuit basis, or per leg affected basis for multipoint circuits.

(K)

\* This regulation is limited to existing customers at existing locations as of April 1, 2004.

<sup>(1)</sup> Effective August 25, 2011, MVS is no longer available to new customers. There is no change for existing customers.

---

ACCESS SERVICE

---

2. General Regulations (Cont'd)

2.12 Credit Allowance for Service Interruptions (Cont'd)

2.12.3 When a Credit Allowance Does Not Apply

No credit allowance will be made for:

- (A) Interruptions caused by the negligence of the customer.
- (B) Interruptions of a service due to the failure of equipment or systems provided by the customer or others.
- (C) Interruptions of a service during any period in which the Telephone Company is not afforded access to the premises where the service is terminated.
- (D) Interruptions of a service when the customer has released that service to the Telephone Company for maintenance purposes, to make rearrangements, or for the implementation of an order for a change in the service during the time that was negotiated with the customer prior to the release of that service. Thereafter, a credit allowance as set forth in 2.12.2 preceding applies.
- (E) Interruptions of a service which continue because of the failure of the customer to authorize replacement of any element of special construction, as set forth in the Telephone Company's Special Construction tariff. The period for which no credit allowance is made begins on the seventh day after the customer receives the Telephone Company's written notification of the need for such replacement and ends on the day after receipt by the Telephone Company of the customer's written authorization for such replacement.
- (F) Periods when the customer elects not to release the service for testing and/or repair and continues to use it on an impaired basis.
- (G) Periods of temporary discontinuance as set forth in Section 2.3, Refusal and Discontinuance of Service.
- (H) Periods of interruption as set forth in Section 8.5, Maintenance of Service.



---

ACCESS SERVICE

---

2. General Regulations (Cont'd)

2.12 Credit Allowance for Service Interruptions (Cont'd)

2.12.3 When a Credit Allowance Does Not Apply (Cont'd)

- (I) An interruption or a group of interruptions, resulting from a common cause, for amounts less than one dollar.
- (J) Interruption of service caused by a customer's failure to provide notification to the Telephone Company of media stimulated mass calling events as set forth in 6.1.17(F), Customer Requirements.
- (K) DS1 service provided as free (unframed) format.

2.12.4 Use of an Alternative Service During a Service Interruption

Should the customer elect to use an alternative service provided by the Telephone Company during the period that a service is interrupted, the customer must pay the tariffed rates and charges for the alternative service used.

2.12.5 Temporary Surrender of a Service

In certain instances, the customer may be requested by the Telephone Company to surrender a service for purposes other than maintenance, testing or activity relating to a service order. If the customer consents, a credit allowance will be granted. The credit allowance will be 1/1440 of the monthly rate for each period of 30 minutes or fraction thereof that the service is surrendered. In no case will the credit allowance exceed the monthly rate for the service surrendered in any one monthly billing period.

---

ACCESS SERVICE

---

2. General Regulations (Cont'd)

2.13 Definitions

Certain terms used in this Guide are defined as follows:

Access Code

The term "Access Code" denotes a uniform seven digit code assigned by the Telephone Company to an individual customer. The seven digit code has the form 101XXXX and 950-XXXX.

Access Customer Name Abbreviation (ACNA)

Denotes a three alpha character code that identifies the customer to which the Access Service bill is rendered.

Access Customer Terminal Location (ACTL)

Denotes the eleven (11) character Common Language Location Identifier (CCLI) code identifying the customer's Point of Presence (POP/InterLATA facility terminal location).

Access Minutes

The term "Access Minutes" denotes that usage of exchange facilities in interstate or foreign service for the purpose of calculating chargeable usage. On the originating end of an interstate or foreign call, usage is measured from the time the originating end user's call is delivered by the Telephone Company to and acknowledged as received by the customer's facilities connected with the originating exchange. On the terminating end of an interstate or foreign call, usage is measured from the time the call is received by the end user in the terminating exchange. Timing of usage at both originating and terminating ends of an interstate or foreign call shall terminate when the calling or called party disconnects, whichever event is recognized first in the originating and terminating exchanges, as applicable.

Access Tandem

The term "Access Tandem" denotes a Telephone Company switching system that provides a concentration and distribution function for originating or terminating traffic between end offices and customer's premises.

---

ACCESS SERVICE

---

2. General Regulations (Cont'd)

2.13 Definitions (Cont'd)

Agent

The term "Agent" denotes that person or persons who have authority to allow the Telephone Company to place public telephones on their premises, who have the authority to presubscribe the public telephones on their premises as set forth in Section 4 following, and who make public telephones on their premises available for public use.

Aggregator

The term "Aggregator" denotes any individual, partnership, association, joint-stock company, trust, or corporation that, in the ordinary course of its operations, makes telephones available to the public or to transient users of its premises for interstate telephone calls using a provider of operator services.

Alternate Billing Service

The term "Alternate Billing Service" (ABS) denotes the processing and recording of all calls not Direct Distance Dialed (1+) and billed to an account other than the account associated with the originating line. ABS calls include Calling Card Calls, Collect Calls, and Third Number Billed Calls.

Answer/Disconnect Supervision

The term "Answer/Disconnect Supervision" denotes the transmission of the switch trunk equipment supervisory signal (off-hook or on-hook) to the customer's point of termination as an indication that the called party has answered or disconnected.

Attenuation Distortion

The term "Attenuation Distortion" denotes the difference in loss at specified frequencies relative to the loss at 1004 Hz, unless otherwise specified.

Authorized Billing Agent

The term "Authorized Billing Agent" denotes a third party hired by a telecommunications service provider to perform billing and collection services for the telecommunications service provider.

---

ACCESS SERVICE

---

2. General Regulations (Cont'd)

2.13 Definitions (Cont'd)

B8ZS

The term "B8ZS" (Bipolar with 8 Zero Substitution) denotes a line code which allows transport of an all-zero octet over a DS1 1.544 Mbps High Capacity channel. B8ZS enables Clear Channel Capability on DS1 1.544 Mbps High Capacity service.

Balance (100 Type) Test Line

The term "Balance (100 Type) Test Line" denotes an arrangement in an end office which provides for balance and noise testing.

Billed Number Screening (BNS)

The term "Billed Number Screening" (BNS) denotes a service which utilizes a database to determine specific characteristics and/or customer preferences on a billed line number. Examples would include, whether or not the line is a public telephone and whether the billed customer associated with the line will accept a collect call.

Billing Name and Address (BNA)

The term "Billing Name and Address" (BNA) denotes the name and address provided to the Telephone Company by each of its local exchange customers to which the Telephone Company directs bills for its services.

Bit

The term "Bit" denotes the smallest unit of information in the binary system of notation.

Broadcast Traffic

Ethernet frames that are forwarded to all stations on a virtual local area network using the broadcast address.

---

ACCESS SERVICE

---

2. General Regulations (Cont'd)

2.13 Definitions (Cont'd)

Business Day

The term "Business Day" denotes the times of day that a company is open for business. This is 8:00 A.M. to 5:00 P.M., Monday through Friday.

Busy Line Interrupt (BLI)

The term "Busy Line Interrupt (BLI)" denotes the interruption of a telephone line which has been verified as being in use.

Busy Line Verification (BLV)

The term "Busy Line Verification (BLV)" denotes the verifying of a telephone line in use.

Call

The term "Call" denotes a customer attempt for which the complete address code (e.g., 0-, 911, or 10 digits) is provided to the serving dial tone office.

Calling Party Number

The term "Calling Party Number" denotes the SS7 out of band signaling parameter which automatically transmits the ten-digit directory number, associated with a calling station, to the customer's premises.

Call-out

A customer required dispatch outside of normal business hours when a technician is not available for dispatch.

---

ACCESS SERVICE

---

2. General Regulations (Cont'd)

2.13 Definitions (Cont'd)

Carrier or Common Carrier

See Interexchange Carrier.

Carrier Identification Code

The term "Carrier Identification Code" (CIC) denotes a numerical four digit code that identifies the end users' selected Interexchange Carrier.

Carrier Identification Parameter

The term "Carrier Identification Parameter" denotes the SS7 out of band signaling parameter which identifies and transmits the CIC information to the customer's premises.

Carrier Selection Parameter

The term "Carrier Selection Parameter" denotes the SS7 out of band signaling parameter which identifies whether the dialing end user accessed the customer's network through a presubscribed line or by dialing the customer's 101XXXX code.

C Band

1525-1565 nanometers (unit of spatial measurement that is one billionth of a meter).

CCS

The term "CCS" denotes a hundred call seconds, which is a standard unit of traffic load that is equal to 100 seconds of usage or capacity of a group of servers (e.g., trunks).

Central Office

The term "Central Office" denotes a local Telephone Company switching sy where Telephone Exchange Service customer station loops are terminated f purposes of interconnection to each other and to trunks.

Central Office Prefix

The term "Central Office Prefix" denotes the first three digits (NXX) of seven digit telephone number assigned to an End User's Telephone Exchange Service when dialed on a local basis.

---

---

ACCESS SERVICE

---

2. General Regulations (Cont'd)

2.13 Definitions (Cont'd)

Centralized Automatic Reporting on Trunks Testing

The term "Centralized Automatic Reporting on Trunks Testing" denotes a type of testing which includes the capacity for measuring operational and transmission parameters.

Centrex CO Service

The term "Centrex CO Service" denotes a service that uses a portion of a Telephone Company central office switch to meet the customer's internal needs. It serves as the customer's interface with the local and interexchange networks by linking the customer's main stations to the Telephone Company switch with subscriber loops.

Centrex CO-like Service

The term "Centrex CO-like Service" denotes a service which operates in a manner which is the same as Centrex CO, e.g., ESSEX, Centron, Centraflex, Airport Service, Hotel-Motel Service.

Channel(s)

The term "Channel(s)" denotes an electrical or photonic, in the case of fiber optic-based transmission systems, communications path between two or more points of termination.

Channel Service Unit

The term "Channel Service Unit" denotes equipment which performs one or more of the following functions: termination of a digital facility, regeneration of digital signals, detection and/or correction of signal format error, and remote loop back.

Channelize

The term "Channelize" denotes the process of multiplexing - demultiplexing wider bandwidth or higher speed channels into narrower bandwidth or lower speed channels.

Charge Number

The term "Charge Number" denotes the SS7 out of band signaling parameter which is equivalent to the ten-digit billing number of the calling station. The Charge Number is equivalent to the ANI available with MF signaling.

---

ACCESS SERVICE

---

2. General Regulations (Cont'd)

2.13 Definitions (Cont'd)

Circuit Code

The term "Circuit Code" is a numerical code that may be used to signify the type of call. The Circuit Code is analogous to the OZZ in MF signaling.

Clear Channel Capability (CCC)

The term "Clear Channel Capability" (CCC) denotes the transport of twenty-four 64 Kbps channels over a 1.544 Mbps High Capacity Service via B8ZS line code format.

Commingling

Commingling means the connecting, attaching or otherwise linking of an unbundled network element, or a combination of unbundled network elements, to one or more facilities or services that a requesting telecommunications carrier has obtained at wholesale from the Telephone Company, or the combining of an unbundled network element, or a combination of unbundled network elements with one or more such facilities or services. Commingle means the act of commingling.

Committed Information Rate (CIR)

A statistically guaranteed level of transmission or guaranteed bandwidth that the Ethernet network will provide to the Basic Connection when information (or data) needs to be transmitted.

C-Message Noise

The term "C-Message Noise" denotes the frequency weighted average noise within an idle voice channel. The frequency weighting, called C-message, is used to simulate the frequency characteristic of the 500-type telephone set and the hearing of the average subscriber.



## ACCESS SERVICE

2. General Regulations (Cont'd)2.13 Definitions (Cont'd)C-Notched Noise

The term "C-Notched Noise" denotes the C-message frequency weighted noise on a voice channel with a holding tone, which is removed at the measuring end through a notch (very narrow band) filter.

Codec

The term "codec" denotes a device which produces a coded output from an analog input, and vice versa.

Coin Station

See Public Telephone.

Common Channel Signaling Network (CCSN)

The term "Common Channel Signaling Network" (CCSN) denotes a specialized digital signaling network separate from the regular message (voice) network which interconnects computerized switching systems and has access to special data bases.

Common Line

The term "Common Line" denotes a line, trunk, public telephone line or other facility provided under the general and/or local exchange service tariffs of the Telephone Company, terminated on a central office switch. A common line- residence is a line or trunk provided under the residence regulations of the general and/or local exchange service tariffs. A common line-business is a line provided under the business regulations of the general and/or local exchange service tariffs.

Communications System

The term "Communications System" denotes channels and other facilities which are capable of communications between terminal equipment provided by other than the Telephone Company.

Competitive County

The term "Competitive County" denotes the geographic unit of a county or county-equivalent that either is competitive pursuant to the F.C.C.'s competitive market test or was granted Phase II, Level 2 pricing flexibility prior to June 1, 2017.

(N)

(N)

---

ACCESS SERVICE

---

2. General Regulations (Cont'd)

2.13 Definitions (Cont'd)

Confirmed Service Date

The term "Confirmed Service Date" denotes the date on which work activity is scheduled to be completed by the Telephone Company and the service is ready for use by the customer. The Confirmed Service Date is provided by the Telephone Company to the customer.

Customer(s)

The term "Customer(s)" denotes any individual, partnership, association, joint-stock company, trust, corporation, or governmental entity or other entity which subscribes to the services offered under this Guide, including both Interexchange Carriers (IC) and End Users.

Data Transmission (107 Type) Test Line

The term "Data Transmission (107 Type) Test Line" denotes an arrangement which provides for a connection to a signal source which provides test signals for one-way testing of data and voice transmission parameters.

Decibel

The term "Decibel" denotes a unit used to express relative difference in power, usually between acoustic or electric signals, equal to ten (10) times the common logarithm of the ratio of two signal powers.

Decibel Reference Noise C-Message Weighting

The term "Decibel Reference Noise C-Message Weighting" denotes noise power measurements with C-Message Weighting in decibels relative to a reference 1000 Hz tone of 90 dB below 1 milliwatt.

Decibel Reference Noise C-Message Referenced to 0

The term "Decibel Reference Noise C-Message Referenced to 0" denotes noise power in "Decibel Reference Noise C-Message Weighting" referred to or measured at a zero transmission level point.

---

ACCESS SERVICE

---

2. General Regulations (Cont'd)

2.13 Definitions (Cont'd)

Dedicated Signaling Transport (DST)

The term "Dedicated Signaling Transport (DST)" denotes the transport of out-of-band signaling information between the Telephone Company's CCSN and a customer's CCSN on facilities dedicated to the use of a single customer.

Detail Billing

The term "Detail Billing" denotes the listing of each message and/or rate element for which charges to a customer are due on a bill prepared by the Telephone Company.

Dial-Up

The term "Dial-Up" denotes access with Automatic Callback to a Network Reconfiguration Service (NRS) Network Controller via the local Telephone Company Public Switched Network. With this arrangement, the customer dials a specific telephone number to achieve a data connection to the Network Controller. For security reasons, the controller will automatically call the customer back on a predetermined telephone number.

Digital Crossconnect Device (DCD)

The term "Digital Crossconnect Device" denotes equipment within a Network (z) Reconfiguration Service (NRS) serving wire center which uses digital technology to perform channel to channel crossconnect functions.

Diplexed

The term "diplexed" denotes the simultaneous transmission of multiple signals over a single channel.

Direct-Trunked Transport

The term "Direct-Trunked Transport" denotes a Switched Transport facility between a customer's serving wire center and an end office or DA location or Telephone Company access tandem on circuits dedicated to the use of a single customer.

ACCESS SERVICE

---

2. General Regulations (Cont'd)  
2.13 Definitions (Cont'd)

Directory Assistance (Interstate)

The term "Directory Assistance" denotes the provision of telephone numbers by a Telephone Company operator when the operator location is accessed by a customer by dialing 555-1212 or (NPA) 555-1212.

Directory Assistance Location (Interstate)

The term "Directory Assistance Location" denotes a Telephone Company office where Telephone Company equipment first receives the Directory Assistance call from a customer's premises and selects the first operator position to respond to the Directory Assistance call.

Disconnect Non-Recurring Charge

(C)

In addition to any other charges associated with discontinuance of services, the Telephone Company will charge a Disconnect Non-Recurring Charge to discontinue services. This charge applies on a per circuit basis as listed in Section 24.

(C)

Echo Control

The term "Echo Control" denotes the control of reflected signals in a telephone transmission path.

Effective 2-Wire

The term "Effective 2-Wire" denotes a condition which permits the simultaneous transmission in both directions over a channel, but it is not possible to insure independent information transmission in both directions. Effective 2-wire channels may be terminated with 2-wire or 4-wire interfaces.

Effective 4-Wire

The term "Effective 4-Wire" denotes a condition which permits the simultaneous independent transmission of information in both directions over a channel. The method of implementing effective 4-wire transmission is at the discretion of the Telephone Company (physical, time domain, frequency-domain separation or echo cancellation techniques). Effective 4-wire channels may be terminated with a 2-wire interface at the customer's premises. However, when terminated, 2-wire, simultaneous independent transmission cannot be supported because the two wire interface combines the transmission paths into a single path.

---

---

ACCESS SERVICE

---

2. General Regulations (Cont'd)

2.13 Definitions (Cont'd)

Electronic Directory Assistance (EDA)

The Term "Electronic Directory Assistance (EDA)" denotes an electronic form of accessing and acquiring information listings from the Telephone Company directory assistance database (also referred to as the Host Computer) without the use of a Telephone Company operator.

End Office Switch

The term "End Office Switch" denotes a local Telephone Company switching system where Telephone Exchange Service customer station loops are terminated for purposes of interconnection to trunks. Included are Remote Switching Modules and Remote Switching Systems served by a host office in a different wire center.

End User

The term "End User" denotes any customer of an interstate or foreign telecommunications service that is not a carrier, except that a carrier other than a telephone company shall be deemed to be an "end user" when such carrier uses a telecommunications service for administrative purposes, and a person or entity that offers telecommunications services exclusively as a reseller shall be deemed to be an "end user" if all resale transmissions offered by such reseller originate on the premises of such reseller.

Entrance Manhole

The term "Entrance Manhole" denotes the entry point designated by the Telephone Company as the point of interconnection for serving wire centers offering Expanded Interconnection.

Entry Switch

See First Point of Switching.

---

ACCESS SERVICE

---

2. General Regulations (Cont'd)

2.13 Definitions (Cont'd)

Envelope Delay Distortion

The term "Envelope Delay Distortion" denotes a measure of the linearity of the phase versus frequency of a channel.

Ethernet Virtual Connection (EVC)

A logical connection between the customer demarcation point and the Ethernet network.

Equal Level Echo Path Loss (ELEPL)

The term "Equal Level Echo Path Loss" (ELEPL) denotes the measure of Echo Path Loss (EPL) at a 4-wire interface which is corrected by the difference between the send and receive Transmission Level Point (TLP).  
[ELEPL = EPL - TLP (send) + TLP (receive)]

Expected Measured Loss

The term "Expected Measured Loss" denotes a calculated loss which specifies the end-to-end 1004-Hz loss on a terminated test connection between two readily accessible manual or remote test points. It is the sum of the inserted connection loss and test access loss including any test pads.

Exchange

The term "Exchange" denotes a unit generally smaller than a Local Access and Transport Area, established by the Telephone Company for the administration of communications service in a specified area which usually embraces a city, town or village and its environs. It consists of one or more central offices together with the associated facilities used in furnishing communications service within that area. One or more designated exchanges comprise a given Local Access and Transport Area.

Exit Message

The term "Exit Message" denotes an SS7 message sent to an end office by the Telephone Company's tandem switch to mark the carrier connect time when the Telephone Company's tandem switch sends an initial address message to a customer.

---

ACCESS SERVICE

---

2. General Regulations (Cont'd)

2.13 Definitions (Cont'd)

Field Identifier

The term "Field Identifier" denotes two to four character codes that are used on service orders to convey specific instructions. Field Identifiers may or may not have associated data. Selected Field Identifiers are used in Telephone Company billing systems to generate nonrecurring charges.

First-Come, First-Served

The term "First-Come, First-Served" denotes a procedure followed when the first service order received will be the first service order processed.

First Point of Switching

The term "First Point of Switching" denotes the first Telephone Company location at which switching occurs on the terminating path of a call proceeding from the customer premises to the terminating end office and, at the same time, the last Telephone Company location at which switching occurs on the originating path of a call proceeding from the originating end office to the customer premises.

Frequency Shift

The term "Frequency Shift" denotes the change in the frequency of a tone as it is transmitted over a channel.

Grandfathered

The term "Grandfathered" denotes terminal equipment, multiline terminating systems and protective circuitry directly connected to the facilities utilized to provide services under the provisions of this Guide, and which are considered grandfathered under Part 68 of the F.C.C.'s Rules and Regulations.

---

ACCESS SERVICE

---

2. General Regulations (Cont'd)

2.13 Definitions (Cont'd)

Host Computer

The term "Host Computer" denotes one or more processor(s), associated software and peripheral equipment which together form an intelligent processor or device connected to a network that satisfies the needs of remote users.

Host Office

The term "Host Office" denotes an electronic switching system which provides call processing capabilities for one or more Remote Switching Modules or Remote Switching Systems.

Host Subscriber

The term "Host Subscriber" denotes a customer with a multiplexed DS1, DS3 or SONET service who allows a Service User to occupy a channel or port of their multiplexed service through a Shared Network Arrangement.

Immediately Available Funds

The term "Immediately Available Funds" denotes a corporate or personal check drawn on a bank account and funds which are available for use by the receiving party on the same day on which they are received and include U. S. Federal Reserve bank wire transfers, U. S. Federal Reserve notes (paper cash), U. S. Coins, U. S. Postal Money Orders and New York Certificates of Deposit.

Individual Case Basis (ICB)

The term "Individual Case Basis" denotes a condition in which the regulations, if applicable, rates and charges for an offering under the provisions of this Guide are developed based on the circumstances in each case.

Initial Address Message

The term "Initial Address Message" denotes an SS7 message in the forward direction to initiate trunk set up with the busying of an outgoing trunk which carries the information about that trunk along with other information relating to the routing and handling of the call to the next switch.



---

ACCESS SERVICE

---

2. General Regulations (Cont'd)

2.13 Definitions (Cont'd)

Interexchange Carrier (IC) or Interexchange Common Carrier

The terms "Interexchange Carrier (IC)" or "Interexchange Common Carrier" denotes any individual, partnership, association, joint-stock company, trust, governmental entity or corporation engaged for hire in interstate or foreign communication by wire or radio, between two or more exchanges.

Intermodulation Distortion

The term "Intermodulation Distortion" denotes a measure of the nonlinearity of a channel. It is measured using four tones, and evaluating the ratios (in dB) of the transmitted composite four-tone signal power to the second-order products of the tones (R2), and the third-order products of the tones (R3).

Internet Protocol (IP) Dedicated Access Connection

Denotes a dedicated high speed connection such as; High Speed (384 Kbps or higher download speed) Cable Modem, DSL Line, Dedicated T1 to the internet, Dedicated DS 3 to the internet or other dedicated IP private line.

Internet Protocol (IP) Enabled Voice Information Service (IP-VIS)

Denotes Internet Protocol (IP) voice information services and applications provided over an IP network and their associated capabilities and functionalities that enable an IP-VIS user to send or receive a communication based on Internet Protocol. IP-VIS Service is service between a provider of Internet Protocol (IP) enabled voice information services and the IP-VIS user only.

Internet Protocol (IP) Enabled Voice Information Service (IP-VIS) Dedicated Location

Denotes a unique space owned or controlled by an IP-VIS provider, its agent or designee where the IP-VIS provider has located its media gateway used for IP-VIS or where the IP-VIS provider has located transmission facilities used for IP-VIS.

---

ACCESS SERVICE

---

2. General Regulations (Cont'd)

2.13 Definitions (Cont'd)

IP Enabled Voice Information Service (IP-VIS) Off Net Traffic

Denotes IP-VIS Traffic originating from IP-VIS Users terminating traffic to non-Telephone Company End Users subtending Telephone Company Access Tandems via the TIPToP one way port interface.

IP Enabled Voice Information Service (IP-VIS) On Net Traffic

Denotes IP-VIS Traffic originating from IP-VIS Users and terminating to Telephone Company users via the TIPToP one way port interface.

IP Enabled Voice Information Service (IP-VIS) Traffic

Denotes any traffic that originates from or terminates to an IP-VIS User at an IP-VIS User Site. Also the traffic must travel on an Internet Protocol Network, and provide an accurate and dialable CPN as part of the call record, that when dialed, will reach that specific IP-VIS User on their Internet Protocol Network at their IP-VIS User Site.

IP Enabled Voice Information Service (IP-VIS) User

Denotes a person utilizing a phone set dedicated for IP use for all voice traffic on the Internet Protocol Network at the IP-VIS User Site, and has an accurate and dialable CPN that when dialed, will reach the IP-VIS User on their Internet Protocol Network at their IP-VIS User Site.

IP Enabled Voice Information Service (IP-VIS) User Site

Denotes the specific temporary or permanent premises where a specific communication is initiated or received by the IP Enabled Voice Information Service (IP-VIS) User, using Internet Protocol.

Internet Protocol (IP) Gateway

Denotes a device that converts communications from Time Division Multiplexing (TDM) to Internet Protocol (IP).

---

ACCESS SERVICE

---

2. General Regulations (Cont'd)

2.13 Definitions (Cont'd)

Internet Protocol (IP) Network

Denotes a network that carries traffic in Internet Protocol on an IP Dedicated Access Connection between the IP-VIS User Site and the IP Gateway and does not change the protocol to any other protocol between the IP-VIS User Site and the IP Gateway.

Interstate Communications

The term "Interstate Communications" denotes both interstate and foreign communications.

Intrastate Communications

The term "Intrastate Communications" denotes any communications within a state subject to oversight by a state regulatory commission as provided by the laws of the state involved.

---

ACCESS SERVICE

---

2. General Regulations (Cont'd)

2.13 Definitions (Cont'd)

Kilosegment

The term "Kilosegment" denotes one thousand segments. L Band 1565-1605 nanometers (unit of spatial measurement that is one billionth of a meter).

Line Information Data Base (LIDB)

The term "Line Information Data Base" (LIDB) denotes a data base system that is designed to provide on-line call treatment information in response to a query from the CCS7 network.

Line-Side Connection

The term "Line-Side Connection" denotes a connection of a transmission path to the line side of a local exchange switching system.

Local Access and Transport Area (LATA)

The term "Local Access and Transport Area" denotes a geographic area established for the provision and administration of communications service. It encompasses one or more designated exchanges, which are grouped to serve common social, economic and other purposes.

Local Service Area

The term "Local Service Area" denotes a geographical area, as defined in the Telephone Company's Local and/or General Exchange Service tariff, within which an end user (Telephone Exchange Service subscriber) may complete calls without incurring toll charges.

Local Tandem Switch

The term "Local Tandem Switch" denotes a local Telephone Company switching unit by which local or access telephonic communications are switched to and from an End Office Switch.

---

ACCESS SERVICE

---

2. General Regulations (Cont'd)

2.13 Definitions (Cont'd)

Loop Around Test Line

The term "Loop Around Test Line" denotes an arrangement utilizing a telephone company central office to provide a means to make certain two-way transmission tests on a manual basis. This arrangement has two central office terminations, each reached by means of separate telephone numbers and does not require any specific customer premises equipment. Equipment subject to this test arrangement is at the discretion of the customer.

Major Fraction Thereof

The term "Major Fraction Thereof" is any period of time in excess of 1/2 of the stated amount of time. As an example, in considering a period of 24 hours, a major fraction thereof would be any period of time in excess of 12 hours exactly. Therefore, if a given service is interrupted for a period of thirty six hours and fifteen minutes, the customer would be given a credit allowance for two twenty four-hour periods for a total of forty eight-hours.

Maritime Radio Common Carriers (MRCCs)

The term "Maritime Radio Common Carriers (MRCCs)" denotes carriers which are regulated under Part 81 of the Federal Communications Commission's Rules and Regulations.

Media Access Control (MAC) Address

A data link layer protocol that defines how packets are transmitted on a local area network.

---

ACCESS SERVICE

---

2. General Regulations (Cont'd)

2.13 Definitions (Cont'd)

Message

The term "Message" denotes a "call" as defined preceding.

Milliwatt (102 Type) Test Line

The term "Milliwatt (102 Type) Test Line" denotes an arrangement in an end office which provides a 1004 Hz tone at 0 dBm0 for one-way transmission measurements towards the customer's premises from the Telephone Company end office.

Multicast Traffic

Ethernet frames that are forwarded to multiple destinations that are identified using a multicast group address.

Network Control Signaling

The term "Network Control Signaling" denotes the transmission of signals used in the telecommunications system which perform functions such as supervision (control, status, and charge signals), address signaling (e.g., dialing), calling and called number identifications, rate of flow, service selection error control and audible tone signals (call progress signals indicating re-order or busy conditions, alerting, coin denominations, coin collect and coin return tones) to control the operation of the telecommunications system.

Network Controller

The term "Network Controller" denotes an intelligent device which permits customers to directly control authorized network configurations, within a Network Reconfiguration Service (NRS) arrangement.

Network Reconfiguration Device

The term "Network Reconfiguration Device" denotes a device which has the ability to connect/disconnect its internal crossconnections between services terminating on the device when directed to do so via the Network Controller.

## ACCESS SERVICE

2. General Regulations (Cont'd)2.13 Definitions (Cont'd)Non-Competitive County

The term "Non-Competitive County" denotes the geographic unit of a county or county-equivalent that neither is competitive pursuant to the F.C.C.'s competitive market test nor was subject to Phase II, Level 2 pricing flexibility prior to June 1, 2017.

(N)

(N)

Non IP Enabled Voice Information Service (IP-VIS) Traffic

Denotes any traffic not specifically defined as or not identifiable as IP-VIS traffic or any traffic that does not travel on an IP Dedicated Access Connection or any traffic that is not in Internet Protocol, for any portion of the communication between the IP-VIS User and the IP Gateway device, or any traffic from a Non IP-VIS User, or any traffic from a user site that is not an IP-VIS User Site, or any traffic classified by this Guide as Non IP- VIS traffic.

Non IP Enabled Voice Information Service (IP-VIS) User

Any user(s) not meeting the definition of an IP-VIS User.

Non IP Enabled Voice Information Service (IP-VIS) Off Net Traffic

Denotes Non IP-VIS Traffic between a user (IP-VIS or non IP-VIS users) or customer (TIPToP or non TIPToP customers) and non-Telephone Company (Off Net) End Users via a TIPToP port interface.

Non IP Enabled Voice Information Service (IP-VIS) On Net Traffic

Denotes Non IP-VIS Traffic between a user (IP-VIS or non IP-VIS users) or customer (IP or non IP customers) and Telephone Company users via a TIPToP port interface.

Nonsynchronous Test Line

The term "Nonsynchronous Test Line" denotes an arrangement in step-by-step end offices which provides operational tests which are not as complete as those provided by the synchronous test lines, but can be made more rapidly.

North American Numbering Plan

The term "North American Numbering Plan" denotes a three-digit area (Numbering Plan Area) code and a seven-digit telephone number made up of a three-digit Central Office code plus a four-digit station number.

---

ACCESS SERVICE

---

2. General Regulations (Cont'd)

2.13 Definitions (Cont'd)

Off Net End User

Denotes a non-Telephone Company end user that subtends a Telephone Company Access Tandem.

Open Circuit Test Line

The term "Open Circuit Test Line" denotes an arrangement in an end office which provides an ac open circuit termination of a trunk or line by means of an inductor of several Henries.

Originating Direction

The term "Originating Direction" denotes the use of Access Service for the origination of calls from an end user premises to an IC premises.

Originating Point Code (OPC)

The term "Originating Point Code" (OPC) is used to identify each Operator Service System (OSS) location used in the provisioning of LIDB Validation Service.

OZZ Code

The term "OZZ" is a numerical code that may be used to signify the type of call. The OZZ is used with MF Signaling.



---

ACCESS SERVICE

---

2. General Regulations (Cont'd)

2.13 Definitions (Cont'd)

Packet Delivery Rate (PDR)

Defined as the actual amount of useful and non-redundant information that is transmitted or processed from end-to-end across the Ethernet network. It is a function of bandwidth, error performance, congestion and other factors. PDR will be defined as a percentage of Ethernet frames offered to the network that successfully traverse the network, end-to-end, within the Committed Information Rate (CIR), and within a calendar month. Packet delivery is measured by averaging sample measurements taken during a calendar month from NTE to NTE to which the customer ports are attached.

Packet Switched Data Network (PSDN)<sup>(1)</sup>

The term Packet Switched Data Network (PSDN) denotes a service offering whereby the customer utilizes packet switching technology and digital transmission facilities to provide economical common user switched data transport for bursty traffic of X.25 and X.75 protocols.

Phase Jitter

The term "Phase Jitter" denotes the unwanted phase variations of a signal.

Point of Termination

The term "Point of Termination" denotes a point of demarcation within a customer-designated premises at which the Telephone Company's responsibility for the provision of Access Service ends.

Premises

The term "Premises" denotes a building, or a portion of a building in a multitenant building, or buildings on continuous property (except Railroad Right-of-Way, etc.) not separated by a public highway, except for an end user that offers Telecommunications Services exclusively as a reseller. This term is not to be limited to one building, but applies as well to a complex, or campus-type configuration of buildings.

<sup>(1)</sup> As of October 6, 2004, PSDN service utilizing the X.25 protocol and the X.75 protocol is obsolete and is limited to existing installations, at existing locations, for existing customers.

---

ACCESS SERVICE

---

2. General Regulations (Cont'd)

2.13 Definitions (Cont'd)

Prime Service Vendor

The term "Prime Service Vendor" denotes the status of the Telephone Company when contracting directly with the user of Telecommunications Service Priority (TSP) Service.

Public Telephone

The term "Public Telephone" denotes public payphones, both coin and coinless, (that are available to the general public for public convenience. They are located in public or semipublic places where customers can originate telephone calls and pay the applicable charges.

Query

The term "Query" denotes a request for specific information generated by a computer processor and sent to an application, i.e., a data base with a predefined set of responses expected.

Radio Common Carriers (RCCs)

The term "Radio Common Carriers (RCCs)" denotes carriers which are regulated under Part 22 of the Federal Communications Commission's Rules and Regulations.

Registered Equipment

The term "Registered Equipment" denotes the customer's premises equipment which complies with and has been approved within the Registration Provisions of Part 68 of the F.C.C.'s Rules and Regulations.

Release Message

The term "Release Message" denotes an SS7 message sent in either direction to indicate the release of a specific circuit.

---

ACCESS SERVICE

---

2. General Regulations (Cont'd)

2.13 Definitions (Cont'd)

Remote Switching Modules and/or Remote Switching Systems

The term "Remote Switching Modules and/or Remote Switching Systems" denotes small, remotely controlled electronic end office switches which obtain their call processing capability from an ESS-type Host Office. The Remote Switching Modules and/or Remote Switching Systems cannot accommodate direct trunks to a customer.

Segment

The term "Segment" denotes a continuous sequence of binary digits (bits) of information within a packet. A segment has a billable length of up to 64 octets of customer data transmitted to or from a character-oriented station.

Service Control Point (SCP)

The term "Service Control Point" (SCP) denotes an SS7 network element whose function is to serve as a control interface between the SS7 network and one or more data bases.

Service Management System (SMS)

The term "Service Management System" (SMS) denotes the main operations support system of the 800 Database Service network. It is used to create and maintain subscriber records that are downloaded to SCPs for use in processing subscriber calls.

Service Switching Point (SSP)

The term "Service Switching Point" (SSP) denotes a switch in the Telephone Company's CCS7 network equipped with the ability to interact with a database using SS7 messages to obtain call routing information.

Service User

The term "Service User" denotes a customer who has their service on a channel or port of a multiplexed DS1, DS3 or SONET service belonging to a Host Subscriber through a Shared Network Arrangement.

---

ACCESS SERVICE

---

2. General Regulations (Cont'd)

2.13 Definitions (Cont'd)

Serving Wire Center

The term "Serving Wire Center" denotes the wire center from which the customer designated premises would normally obtain dial tone from the Telephone Company.

Seven Digit Manual Test Line

The term "Seven Digit Manual Test Line" denotes an arrangement which allows the customer to select balance, milliwatt and synchronous test lines by manually dialing a seven digit number over the associated access connection.

Shared Network Arrangement

The term "Shared Network Arrangement" denotes a service offering whereby a Service User may connect subtending services to a Host Subscriber's multiplexed High Capacity Special Access service, Direct-Trunked Transport or SONET service, and the Telephone Company will maintain separate customer records and billing.

Short Circuit Test Line

The term "Short Circuit Test Line" denotes an arrangement in an end office which provides for an ac short circuit termination of a trunk or line by means of a capacitor of at least four microfarads.

Signal Transfer Point

The term "Signal Transfer Point" (STP) denotes a switch in the Telephone Company's CCS7 network which provides access and performs message routing and screening.

Signaling System 7 (SS7)

The term "Signaling System 7" (SS7) denotes the signaling protocol version used in the Common Channel Signaling Network.

Signaling for Tandem Switching

The term "Signaling for Tandem Switching" denotes the Carrier Identification Code (CIC) and the OZZ code on an MF signaling basis and the CIC and Circuit Code on an SS7 basis. This information is needed to perform tandem switching functions.

---

ACCESS SERVICE

---

2. General Regulations (Cont'd)

2.13 Definitions (Cont'd)

Signal-to-C-Notched Noise Ratio

The term "Signal-to-C-Notched Noise Ratio" denotes the ratio in dB of a test signal to the corresponding C-Notched Noise.

Storage Area Network

Network which links host computers, storage servers, and systems.

Subcontractor

The term "Subcontractor" denotes the status of the Telephone Company when contracting directly with a Prime Service Vendor to provide Telecommunications Service Priority (TSP) to a service user.

Subtending End Office of an Access Tandem

The term "Subtending End Office of an Access Tandem" denotes an end office that has final trunk group routing through that tandem.

Switching System

The term "Switching System" denotes the Telephone Company facilities, including hardware and/or software, which are used to perform switching functions within a central office, end office or tandem office.

Synchronous Test Line

The term "Synchronous Test Line" denotes an arrangement in an end office which performs marginal operational tests of supervisory and ring-tripping functions.

Switched Digital Data Service (SDDS) Interconnect

The term "Switched Digital Data Service (SDDS) Interconnect" denotes the transmission of originating and terminating data up to 56 Kilobits between a Switched 56 Kbps End User's premises and an Interexchange Carrier's Point of Termination.

---

ACCESS SERVICE

---

2. General Regulations (Cont'd)

2.13 Definitions (Cont'd)

Tandem-Switched Directory Transport

The term "Tandem-Switched Directory Transport" denotes a facility between the DA location and the Telephone Company SWC or a Telephone Company access tandem when usage is switched at the access tandem.

Tandem Switching Provider

The term "Tandem Switching Provider" (TSP) denotes any customer that receives Signaling for Tandem Switching from Telephone Company equal access end offices so that the customer may install their own tandems to provide tandem-switching services.

Telecommunications Relay Service (TRS) Provider

The term "Telecommunications Relay Service (TRS) Provider" denotes the authorized provider of TRS in the state.

Telecommunications Service Provider

The term "Telecommunications Service Provider" denotes interexchange carriers, operator service providers, enhanced service providers, and any other provider of telecommunications services.

---

ACCESS SERVICE

---

2. General Regulations (Cont'd)

2.13 Definitions (Cont'd)

Terminating Direction

The term "Terminating Direction" denotes the use of Access Service for the completion of calls from a customer premises to an end user premises.

Termination Charge

The term "Termination Charge" denotes a charge that is applicable should a customer discontinue special construction or specialized service or arrangements, etc., prior to the expiration of its termination liability period. This charge is computed at the time of discontinuance and in no case will it ever exceed the maximum termination liability (charge) which was agreed to by the customer at the time the Special Construction or Specialized Services or Arrangements, etc. was undertaken.

Third Party Host

The term "Third Party Host" denotes a customer who has a Shared Network Arrangement with a Host Subscriber, and allows a Cascading Service User to occupy a channel or port of the Third Party Host's multiplexed service through a Cascading Shared Network Arrangement.

Transmission Measuring (105 Type) Test Line/Responder

The term "Transmission Measuring (105 Type) Test Line/Responder" denotes an arrangement in an end office which provides far-end access to a responder and permits two-way loss and noise measurements to be made on trunks from a near end office.

Transmission Path

The term "Transmission Path" denotes an electrical path capable of transmitting signals within the range of the service offering, e.g., a voice grade transmission path is capable of transmitting voice frequencies within the approximate range of 300 to 3000 Hz. A transmission path is comprised of physical or derived channels consisting of any form or configuration of facilities typically used in the telecommunications industry.

---

ACCESS SERVICE

---

2. General Regulations (Cont'd)

2.13 Definitions (Cont'd)

Trunk

The term "Trunk" denotes a communications path connecting two switching systems in a network, used in the establishment of an end-to-end connection.

Trunk Group

The term "Trunk Group" denotes a set of interchangeable trunks which are traffic engineered as a unit to establish connections between switching systems.

Trunk Side Connection

The term "Trunk Side Connection" denotes the connection of a transmission path to the trunk side of a local exchange switching system.

Two-Wire to Four-Wire Conversion

The term "Two-Wire to Four-Wire Conversion" denotes an arrangement which converts a four-wire transmission path to a two-wire transmission path to allow a four-wire facility to terminate in a two-wire entity (e.g., a central office switch).



---

ACCESS SERVICE

---

2. General Regulations (Cont'd)

2.13 Definitions (Cont'd)

Unbundled Network Elements (UNEs)

Denotes the network elements the Telephone Company is required to provide on an unbundled basis pursuant to Section 251(c)(3) of the Communications Act of 1934, as amended.

Unicast Traffic

Ethernet frames forwarded from one station to another using the individual address.

Uniform Service Order Code (USOC)

The term "Uniform Service Order Code" denotes a three or five character alphabetic, numeric, or an alphanumeric code that identifies a specific item of service or equipment. Uniform Service Order Codes are used in the Telephone Company billing system to generate recurring rates and nonrecurring charges.

Unknown Unicast Traffic

Ethernet frames that contain a destination address that has not been "learned" by the network equipment and is treated for an address with no dynamic filtering entry present.

V and H Coordinates Method

The term "V and H Coordinates Method" denotes a method of computing airline miles between two points by utilizing an established formula which is based on the vertical and horizontal coordinates of the two points.

Virtual Tributary (VT)

Denotes a Synchronous Optical Network (SONET) structure designed for the transport of sub-EC-1 signals which are less than 51.84 Mbps bandwidth. A (DS1) 1.544 Mbps signal is mapped into the SONET format using a VT 1.5 (1.728 Mbps) as a packaging mechanism that is internal to the SONET signal.

Virtual Switch

The term "Virtual Switch" denotes a software defined switch.

---

ACCESS SERVICE

---

2. General Regulations (Cont'd)

2.13 Definitions (Cont'd)

WATS Serving Office

The term "WATS Serving Office" denotes a telephone company designated serving wire center where switching, screening and/or recording functions are performed in connection with the closed-end of WATS or WATS-type services. Designation of a serving wire center as a WSO is based upon the capability and capacity of the end office switch to provide WATS Access Service arrangements. WATS Access Service arrangements and WATS Access Service options as described in Sections 6 and 7 following may not be available at all WATS Serving offices. WATS Serving offices are identified in NATIONAL EXCHANGE CARRIER ASSOCIATION, INC. TARIFF F.C.C. NO. 4.

Wide Area Network Physical Transport (WAN PHY)

An Ethernet standard for wide area network transport at the physical layer, with a maximum bit rate of 9.953 Gbps.

Wire Center

The term "Wire Center" denotes a building in which one or more central offices, used for the provision of Telephone Exchange Services, are located.

Zero Minus Transfer (0-)

The term "Zero Minus Transfer (0-)" denotes the transfer of an end user call to a specific IC by a Telephone Company operator.

900 Access Service Screening Office

The term "900 Access Service Screening Office" denotes an end office or access tandem that performs the customer identification function required to provide 900 Access Service to all customers.

---

ACCESS SERVICE

---

3. RESERVED

---

ACCESS SERVICE

---

4. RESERVED

---

## ACCESS SERVICE

---

### 5. Ordering Regulations

#### 5.1 General

This section sets forth the regulations and order related charges for ordering Access Service. An Access Order is used to provide a customer with Access Service or to make changes to existing Access Services.

A customer may order any number of services of the same type between the same premises on a single Access Order, except when requested activity involves more than ten Carrier Identification Codes. An Access Order is required for each additional group of ten Carrier Identification Codes requiring establishment, removal, or changes. All details for services for a particular order must be identical except for multipoint service.

The Telephone Company may order comparable special access services pursuant to this Guide on behalf of telecommunications service providers who are purchasing DS1 or DS3 loop or transport, entrance facilities, dedicated transport DS0 or Optical Carrier Network as unbundled network elements (UNEs) from the Telephone Company for which they are no longer eligible, as of March 12, 2006, unless alternative arrangements have been made as of March 12, 2006. Non-recurring Access Service Order charge will apply.

Available inventory is limited and does not include facilities previously ordered. The Telephone Company will make every reasonable effort to maintain sufficient available inventory to provide Access Service in accordance with a customer's requested service date intervals. To the extent that service can be provided, Access Orders will be satisfied from available inventory.

Except as provided below, the Telephone Company shall permit a requesting telecommunications carrier to commingle an unbundled network element or a combination of unbundled network elements with wholesale services obtained from the Telephone Company, to the extent provided by and subject to the terms and conditions of the requesting telecommunications carrier's interconnection agreement with the Telephone Company (or, if applicable, of the Telephone Company intrastate tariffs).<sup>(1)</sup>

<sup>(1)</sup> In the event the Commission or a court, pursuant to any regulatory or judicial review of the Commission's Review of the Section 251 Unbundling Obligations of Incumbent Local Exchange Carriers, Report and Order and Order on Remand and Further Notice of Proposed Rulemaking, CC Docket No. 01-338, FCC 03-36, para. 581 (released Aug. 21, 2003) (Triennial Review Order), vacates, stays, remands, reconsiders, or rejects the portion of the Triennial Review Order requiring ILECs to permit commingling, the terms and conditions of this Guide authorizing commingling, which are identified with a footnote, shall cease to be effective as of the effective date of the Commission order or the issuance of the court's mandate. In that event, the Telephone Company will provide customers that have commingled UNE(s) and/or UNE Combination(s) with wholesale services obtained under this Guide written notice that, within 30 days, customers must either convert such UNE(s) or UNE Combination(s) to a comparable service, or disconnect such UNE(s) and/or UNE Combination(s) from those wholesale services. Failure to provide the Telephone Company instructions to convert or disconnect such UNE(s) and/or UNE Combination(s) within 30 days, as described above, shall be deemed authorization to convert the UNE(s) and/or UNE Combination(s) to comparable access services at month-to-month rates.

---

ACCESS SERVICE

---

5. Ordering Regulations (Cont'd)

5.1 General (Cont'd)

The Telephone Company need not provide access to (1) an unbundled DS1 loop in combination, or commingled, with a dedicated DS1 transport or dedicated DS3 transport facility or service, or to an unbundled DS3 loop in combination, or commingled, with a dedicated DS3 transport facility or service, or (2) an unbundled dedicated DS1 transport facility in combination, or commingled, with an unbundled DS1 loop or a DS1 channel termination service, or to an unbundled dedicated DS3 transport facility in combination, or commingled, with an unbundled DS1 loop or a DS1 channel termination service, or to an unbundled DS3 loop or a DS3 channel termination service, unless the requesting telecommunications carrier certifies that all of the following conditions are met<sup>(1)</sup>

- (1) The requesting telecommunications carrier has received state certification to provide local voice service in the area being served or, in the absence of a state certification requirement, has complied with registration, tariffing, filing fee, or other regulatory requirements applicable to the provision of local voice service in that area.
- (2) The following criteria are satisfied for each combined circuit, including each DS1 circuit, each DS1 enhanced extended link, and each DS1-equivalent circuit on a DS3 enhanced extended link:
  - (i) Each circuit to be provided to each end user customer will be assigned a local number prior to the provision of service over that circuit;
  - (ii) Each DS1-equivalent circuit on a DS3 enhanced extended link must have its own local number assignment, so that each DS3 must have at least 28 local voice numbers assigned to it;
  - (iii) Each circuit to be provided to each end user customer will have 911 or E911 capability prior to the provision of service over that circuit;

<sup>(1)</sup> In the event the Commission or a court, pursuant to any regulatory or judicial review of the Commission's Review of the Section 251 Unbundling Obligations of Incumbent Local Exchange Carriers, Report and Order and Order on Remand and Further Notice of Proposed Rulemaking, CC Docket No. 01-338, FCC 03-36, para. 581 (released Aug. 21, 2003) (Triennial Review Order), vacates, stays, remands, reconsiders, or rejects the portion of the Triennial Review Order requiring ILECs to permit commingling, the terms and conditions of this Guide authorizing commingling, which are identified with a footnote, shall cease to be effective as of the effective date of the Commission order or the issuance of the court's mandate. In that event, the Telephone Company will provide customers that have commingled UNE(s) and/or UNE Combination(s) with wholesale services obtained under this Guide written notice that, within 30 days, customers must either convert such UNE(s) or UNE Combination(s) to a comparable service, or disconnect such UNE(s) and/or UNE Combination(s) from those wholesale services. Failure to provide the Telephone Company instructions to convert or disconnect such UNE(s) and/or UNE Combination(s) within 30 days, as described above, shall be deemed authorization to convert the UNE(s) and/or UNE Combination(s) to comparable access services at month-to-month rates.

---

ACCESS SERVICE

---

5. Ordering Regulations (Cont'd)

5.1 General (Cont'd)

- (iv) Reserved
- (v) Reserved
- (vi) For each 24 DS1 enhanced extended links or other facilities having equivalent capacity, the requesting telecommunications carrier will have at least one active DS1 local service interconnection trunk that meets the requirements detailed below; and
- (vii) Reserved

<sup>(1)</sup> In the event the Commission or a court, pursuant to any regulatory or judicial review of the Commission's Review of the Section 251 Unbundling Obligations of Incumbent Local Exchange Carriers, Report and Order and Order on Remand and Further Notice of Proposed Rulemaking, CC Docket No. 01-338, FCC 03-36, para. 581 (released Aug. 21, 2003) (Triennial Review Order), vacates, stays, remands, reconsiders, or rejects the portion of the Triennial Review Order requiring ILECs to permit commingling, the terms and conditions of this Guide authorizing commingling, which are identified with a footnote, shall cease to be effective as of the effective date of the Commission order or the issuance of the court's mandate. In that event, the Telephone Company will provide customers that have commingled UNE(s) and/or UNE Combination(s) with wholesale services obtained under this Guide written notice that, within 30 days, customers must either convert such UNE(s) or UNE Combination(s) to a comparable service, or disconnect such UNE(s) and/or UNE Combination(s) from those wholesale services. Failure to provide the Telephone Company instructions to convert or disconnect such UNE(s) and/or UNE Combination(s) within 30 days, as described above, shall be deemed authorization to convert the UNE(s) and/or UNE Combination(s) to comparable access services at month-to-month rates.

---

ACCESS SERVICE

---

5. Ordering Regulations (Cont'd)

5.2 Provision of Basic Customer Information

The customer shall furnish all information necessary for the Telephone Company to provide and bill for the requested service. In addition to the service-specific ordering information set forth in Section 5.6, the customer shall provide:

- (A) The customer or End User name(s) and premises address(es) where service(s) will be terminated.
- (B) The billing name and address (when different from the customer name and address), and
- (C) The customer contact name(s) and telephone number(s) for the following provisioning activities:
  - order negotiation and confirmation,
  - interactive design,
  - installation and
  - billing.



ACCESS SERVICE

---

5. Ordering Regulations (Cont'd)

5.3 Access Order Service Date Intervals

The date on which the Telephone Company receives a firm order commitment from the customer and sufficient information to allow processing of an Access Order is referred to as the Application Date, or Order Date. The customer is advised of the Application Date at the time the Telephone Company gives the customer a firm order confirmation.

To the extent that the requested Access Service can be made available with reasonable effort, the Telephone Company will provide the service in accordance with the customer's requested interval or requested service date.

The time required to provision the service (i.e., the interval between the Application Date and the Service Date) is known as the service interval and are established by the Telephone Company.

Schedules that specify installation intervals will also specify the services and quantities of the services that can be provided as specified in 5.3.1(B) and (C). The Telephone Company will adhere to the intervals as specified in Section 5.4.2(A), except during circumstances beyond its direct control (i.e., acts of God, governmental requirements, work stoppages and civil commotions). Standard Intervals only apply when facilities and equipment are available.

Access Services will be installed during Telephone Company business days. If a customer requests that installation be done outside of normally scheduled work hours, and the Telephone Company agrees to this request, the customer will be subject to applicable charges described in 8.6.2 (Additional Labor).

Standard Intervals

Analog/Voice Grade/DS0	10 days
DS1/Fractional DS1	7 days <sup>(1)</sup>
DS3	7 days <sup>(1)</sup>

<sup>(1)</sup> Interval only applies where facilities and equipment exist. When facilities and equipment do not exist the interval is dependent upon the complete installation of new facilities and equipment.

---

ACCESS SERVICE

---

5. Ordering Regulations (Cont'd)

5.3 Access Order Service Date Intervals (Cont'd)

5.3.1 Negotiated Interval

The Telephone Company will negotiate a service date interval with the customer when:

- (A) There is no standard interval for the service, or
- (B) The quantity of Access Services ordered exceeds the quantities specified in Section 5.4.2(A), or
- (C) The customer requests a service date beyond the applicable standard interval service date.
- (D) The customer places orders to install Access Advantage Plus (AA+) Transport Service or to activate or to rearrange Multiplexer Cross-Connections on an existing AA+ Transport Service.

The Telephone Company will offer a service date based on the type and quantity of Access Services the customer has requested. The negotiated interval may not exceed by more than six months the standard interval service date, or, when there is no standard interval, the Telephone Company offered service date.

---

ACCESS SERVICE

---

5. Ordering Regulations (Cont'd)

5.4 Access Order Modifications

The customer may request a modification of an access order at any time prior to notification by the Telephone Company that service is available for the customer's use. The Telephone Company will make every effort to accommodate a requested modification when it is able to do so with the normal work force assigned to complete such an order within normal business hours. If the modification cannot be made with the normal work force during normal business hours, the Telephone Company will notify the customer. If the customer still desires the access order modification, the Telephone Company will schedule a new service date. All charges for access order modifications will apply on a per order, per occurrence basis as set forth following.

Any increase in the number of Special Access Service channels or STP Port Terminations will be treated as a new Access Order. The new order is for the increased amount only. If order modifications are necessary to satisfy the transmission performance for a Special Access Service ordered by a customer, these changes will be made without order modification charges being incurred by the customer.

5.4.1 Service Date Charge Charge/Dispatch Charge

A Service Date Change Charge will apply when a Customer modifies an Access Order service date for the installation of new services or rearrangements of existing services.

- (A) For services other than Digital Data Service, Access Advantage Plus (AA+), High Capacity DS1 and DS3 special access services:

If the Customer requested service date is more than 30 calendar days after the original service date, the order will be cancelled by the Telephone Company and reissued with the appropriate cancellation charges applied as set forth in Section 5.5(B), following.

---

ACCESS SERVICE

---

5. Ordering Regulations (Cont'd)

5.4 Access Order Modifications (Cont'd)

5.4.1 Service Date Charge/Dispatch Charge (Cont'd)

- (B) For Digital Data Service, Access Advantage Plus (AA+), High Capacity DS1 and DS3 special access services:

If a Customer does not accept Access Service within 30 calendar days after the original service date, the Customer will, at its option:

- (1) Cancel its Access Order, in which case Section 5.5(B) shall apply; or
- (2) Accept billing within 30 calendar days after the original service date, in which case billing will begin; or
- (3) Neither cancel the Access Order nor accept service, in which case the following will apply. If the Customer neither cancels the Access Order nor accepts service, all applicable service charges shall begin to accrue on the 31st calendar day after the original service date (the Effective Billing Date). If the Customer accepts service within 90 calendar days after the original service date, the Telephone Company will commence billing upon the Customer's acceptance of service and such billing will apply as of the Effective Billing Date. If the Customer fails to accept service within 90 calendar days after the original service date, the Telephone Company will cancel the relevant Access Order(s) and will bill the Customer for cancellation charges, as set forth in 5.5(B), following, plus all charges accrued between the Effective Billing Date and the date of cancellation using the rate associated with the shortest term available for the service being cancelled.

---

ACCESS SERVICE

---

5. Ordering Regulations (Cont'd)

5.4 Access Order Modifications (Cont'd)

5.4.1 Service Date Charge/Dispatch Charge (Cont'd)

- (C) When, for any reason, the Customer cannot accept the service for a period not to exceed 30 calendar days, and the Telephone Company delays the start of service accordingly, a Service Date Change Charge will apply.

A new service date may be established that is prior to the original service date if the Telephone Company determines it can accommodate the Customer's request without delaying service dates for orders of other Customers. If the service date is changed to an earlier date, the Customer will be notified by the Telephone Company that Expedited Order Charges as set forth in Section 5.4.2 will apply. Such charges will apply in addition to the Service Date Change Charge.

Failure to notify, as noted below, the Telephone Company prior to the original service date to request a different service date will result in the application of a Service Date Change Dispatch Charge for installation, moves and rearrangement of services. If a Telephone Company technician is dispatched to the Customer's premises on the scheduled service date and the Customer is not ready to accept service or the Customer has failed to notify the Telephone Company before 3:00PM (ET) on the business day prior to the scheduled service date that the service date needs to be changed, a Service Date Change Dispatch Charge will apply.

If the Customer reschedules the service date, a Service Date Change Charge, as set forth following will also apply. If the Customer cancels the service date, cancellation charges will also apply in accordance with terms and conditions for cancellation charges as set forth in Section 5.5, following. Cancellation of the order will not preclude the application of the Service Date Change Charge and/or the Service Date Change Dispatch Charge assessed for prior occurrences on the same order.

---

ACCESS SERVICE

---

5. Ordering Regulations (Cont'd)

5.4 Access Order Modifications (Cont'd)

5.4.1 Service Date Charge Charge/Dispatch Charge (Cont'd)

- (D) A Service Date Change Charge will apply, on a per order per occurrence basis, for each service date changed. A Service Date Change Dispatch Charge will apply per occurrence when a technician is dispatched to the customer's premises and the customer is not ready for service. The applicable charge is:

	<u>Charge</u>
Service Date Change Charge, per order	\$26.50
Service Date Change Dispatch Charge, per occurrence	\$200.00

---

ACCESS SERVICE

---

5. Ordering Regulations (Cont'd)

5.4 Access Order Modifications (Cont'd)

5.4.2 Expedite Charges

(A) Analog (WATS Access Line), DS0 (Digital Data), Fractional DS1, Entrance Facilities (Voice Grade, DS1, DS3) and High Capacity Services (DS1, DS3) Access Services

If a customer desires that service be provided on a due date earlier than the standard interval, the customer may request that service be provided on an expedited service interval. To qualify for an expedited interval the customer must provide End User premises access, where needed, until 11PM (ET), Monday-Friday.

When the customer requests a 0-2 day expedite interval, on DS3, Analog (Metallic, Telegraph, Direct Analog, Wideband Analog), DS0 (Wideband Data, Base Rate), DS1 128, 256, 384, 512, 768 Kbps, Entrance Facilities (Voice Grade, DS1, DS3) and DS1/DS3 Access Service, the request must be received by the Telephone Company by 8:30AM (ET), Monday-Friday. All 0-2 day expedite interval requests received after 8:30AM (ET) will reflect an application date of the next business day and the due date will also be changed to the next business day. Expedite charges will be determined by the interval between the application date and the expedite due date.

If, upon reviewing availability of equipment, facilities and scheduled workload, the Telephone Company agrees to provide service on an expedited basis and the customer accepts this proposal, an Expedite Order Charge (in case of Analog, DS0, Fractional DS1, Voice Grade/DS1 Entrance Facilities and High Capacity DS1 Access Services) or Expedite Circuit Charge (in case of DS3 Entrance Facilities and High Capacity DS3 Access Services) will apply.

The maximum number of circuits, which may be expedited, is limited to twelve (12) two-point or six (6) multi-point Analog/DS0 circuits at the same location; a limit of nine (9) DS1 circuits at the same location; a limit of four (4) Fractional DS1 circuits at the same location; and a limit of two (2) DS3 circuit at the same location. When the number of access circuits exceeds the maximum threshold the interval will be negotiated.

ACCESS SERVICE

---

5. Ordering Regulations (Cont'd)

5.4 Access Order Modifications (Cont'd)

5.4.2 Expedite Charges (Cont'd)

(A) Analog (WATS Access Line), DS0 (Digital Data), Fractional DS1, Entrance Facilities (Voice Grade, DS1, DS3) and High Capacity Services (DS1, DS3) Access Services (Cont'd)

If the Telephone Company determines that service can be provided on an expedited basis, the following charges will apply based upon agreed upon expedited service interval. The Expedited Order Charge (in case of Analog, DS0, Fractional DS1, Voice Grade/DS1 Entrance Facilities and High Capacity DS1 Access Services) applies on a per order basis, regardless of the number of circuits on the order. The Expedited Circuit Charge (in case of DS3 Entrance Facilities and High Capacity DS3 Access Services) applies on a per circuit basis.

Analog/Voice Grade/DS0 Access Services

<u>Expedited Service Intervals</u>	<u>Expedited Order Charge</u>
9 days	\$375.00
8 days	\$425.00
7 days	\$475.00
6 days	\$525.00
5 days	\$575.00
4 days	\$625.00
3 days	\$675.00
2 days	\$1,500.00
1 day	\$2,000.00
0 days	\$2,500.00

DS1/ Fractional DS1 Access Services

<u>Expedited Service Intervals</u>	<u>Expedited Order Charge</u>
8 days	\$425.00
7 days	\$475.00
6 days	\$525.00
5 days	\$575.00
4 days	\$625.00
3 days	\$675.00
2 days	\$1,500.00
1 day	\$2,000.00
0 days	\$2,500.00

---



ACCESS SERVICE

---

5. Ordering Regulations (Cont'd)

5.4 Access Order Modifications (Cont'd)

5.4.2 Expedite Charges (Cont'd)

(A) Analog (WATS Access Line), DS0 (Digital Data), Fractional DS1, Entrance Facilities (Voice Grade, DS1, DS3) and High Capacity Services (DS1, DS3) Access Services (Cont'd)

High Capacity DS3 Access Services

<u>Expedited Service Intervals</u>	<u>Expedited Circuit Charge</u>
9 days	\$375.00
6 days	\$1,500.00
5 days	\$2,000.00
4 days	\$2,500.00
3 days	\$3,000.00
2 days	\$3,500.00
1 day	\$4,000.00
0 days	\$4,500.00

- (1) In addition to Expedited Order Charges or Expedited Circuit Charges, special construction charges may apply, if the Telephone Company determines that additional cost will be incurred.
- (2) When the request for expediting occurs subsequent to the issuance of the Access Order, a Service Date Change Charge as specified in 5.4.1 preceding, also applies.
- (3) If the Telephone Company is subsequently unable to meet an agreed upon expedited service date, no Expedite Order Charge or Expedite Circuit Charge will apply, unless the missed service date was caused by the customer.
- (4) The Telephone Company will adhere to the expedite intervals as specified above, except during circumstances beyond its direct control (i.e., acts of God, governmental requirements, work stoppages and civil commotions).

---

ACCESS SERVICE

---

5. Ordering Regulations (Cont'd)

5.4 Access Order Modifications (Cont'd)

5.4.2 Expedite Charges (Cont'd)

- (B) For all Access Services, excluding Analog (WATS Access Line), DS0(Digital Data), Fractional DS1, Entrance Facilities (Voice Grade, DS1, DS3)and High Capacity Services (DS1, DS3) Access Services

If the customer desires that service be provided on an earlier date than that which has been established for the Access Order or the provision of the Access Service, the customer may request that service be provided on an expedited basis. If the Telephone Company determines that service can be provided on the requested date and that additional labor costs or extraordinary costs are required to meet the requested service date, the customer will be notified and will be provided with an estimate of the additional charges involved. The total charge to the customer for the Additional Engineering may not exceed the estimated amount by more than 10%. If the customer instructs the Telephone Company to proceed, such additional charges will be determined and billed to the customer as follows:

To calculate the additional labor charges, the Telephone Company will, upon authorization from the customer to incur the additional labor charges, keep track of the additional labor hours used to meet the request of the customer and will bill the customer at the applicable additional labor charges as set forth in 8.6.

- (1) Extraordinary Costs: The special construction terms and conditions specified in the Telephone Company's Special Construction tariff will be used by the Telephone Company to determine charges to recover the extraordinary costs, which may be involved.

Authorization to incur the costs and to bill the customer will be in accordance with the terms and conditions of the Telephone Company's Special Construction tariff.

---

ACCESS SERVICE

---

5. Ordering Regulations (Cont'd)

5.4 Access Order Modifications (Cont'd)

5.4.2 Expedite Charges (Cont'd)

(B) For all Access Services, excluding Analog (WATS Access Line), DS0(Digital Data), Fractional DS1, Entrance Facilities (Voice Grade, DS1, DS3)and High Capacity Services (DS1, DS3) Access Services (Cont'd)

- (2) When the request for expediting occurs subsequent to the issuance of the Access Order, a Service Date changes Charge as set forth in 5.4.1 preceding, also applies.
- (3) If the Telephone Company is subsequently unable to meet an agreed upon expedited service date, no Expedite Order Charge or Expedite Circuit Charge will apply, unless the missed service date was caused by the customer.
- (4) The Telephone Company will adhere to customer requested expedites approved by the Telephone Company, except during circumstances beyond its direct control (i.e., acts of God, governmental requirements, work stoppages and civil commotions).

(C) Access Ordering Guidelines prohibit expedite orders when disconnecting services. (N)  
(N)

ACCESS SERVICE

---

5. Ordering Regulations (Cont'd)

5.4 Access Order Modifications (Cont'd)

5.4.3 Design Change Charge

The customer may request a design change to the service ordered. A design change is any change to an Access Order which requires engineering review by Telephone Company personnel to determine what, if any, changes are necessary in the design of the service ordered to implement the changes requested by the customer.

The Telephone Company will review the requested change, notify the customer whether the change constitutes a design change, if it can be accommodated and if a new service date is required. If the customer authorizes the Telephone Company to proceed with the design change, a Design Change Charge will apply on a per order, per occurrence basis, for each order requiring a design change.

If a change of service date is required, the Order Modification Charge as set forth in Section 5.4 preceding will also apply.

- (A) Design changes include such things as the addition or deletion of optional features or functions or a change in the type of Transport Termination (Switched Access only), type of channel interface, type of Interface Group or technical specification package.

The Design Change Charge applies on a per order, per occurrence basis for each design change, as follows:

	<u>Charge</u>	
Design Change Charge	\$992.06	(C)

- (B) Design changes do not include a change of customer premises, end user premises, or Special Access Service channel type. Changes of this Nature will require the issuance of a new order and the cancellation of the original order with appropriate cancellation charges applied.

---

ACCESS SERVICE

---

5. Ordering Regulations (Cont'd)

5.5 Cancellation of an Access Order

Cancellation charges are applicable when (1) a Customer cancels an Access Order for the installation of service at any time prior to notification by the Telephone Company that service is available for the Customer's use, and (2) a Customer requests a decrease in the number of ordered Special Access Service channels (as applicable in this Section). The latter will be treated as a partial cancellation.

(A) Cancellation Date

The cancellation date is the earliest date the Telephone Company receives written or verbal notice from the Customer that the order is to be cancelled. A verbal notice must be followed by written confirmation within 10 days. Termination liability charges, associated with term plans, will not apply to orders that are cancelled within 90 calendar days after the original service date where the Customer has accepted billing but not accepted service.

---

ACCESS SERVICE

---

5. Ordering Regulations (Cont'd)

5.5 Cancellation of an Access Order (Cont'd)

(B) Cancellation Charge

When the Customer cancels an Access Order, a Cancellation Charge will apply.

Cancellation charges for Voice Grade, Digital Data and High Capacity Services are the nonrecurring charge for the service. (C)

Other cancellation charges are calculated by multiplying the nonrecurring charges (NRC) associated with the shortest term available for the service being cancelled, by the applicable critical date percentage shown in the Table of Cancellation Charge Percentages, following, for the critical date last completed on the order, plus:

1. The Access Order Charge
2. Other charges specified in Section 5.4 (Access Order Modifications), if applicable.

Example

If a Customer submits an order to install a new Video service and then cancels the order after the Design, Verified, and Assigned (DVA) critical date, but before the Wired and Office Tested (WOT) critical date, the cancellation charge will be calculated as follows: (C)

Cancellation Charge = 55.7% (from the Table of Cancellation Charge Percentages, following) X Non-Recurring installation charge for one channel termination.

The Access Order Charge and other charges specified in Section 5.4 (Access Order Modifications), if applicable, are added to the cancellation charge.

---

ACCESS SERVICE

---

5. Ordering Regulations (Cont'd)

5.5 Cancellation of an Access Order (Cont'd)

(B) Cancellation Charge (Cont'd)

The critical dates tracked by the Telephone Company are as follows:

- **Application (APP) Date:** The date by which the Customer must provide to the Telephone Company both (1) a firm commitment for service and (2) sufficient information to enable the Telephone Company to begin service provisioning. This is also the order date.
  - **Scheduled Issue Date (SID):** The date that the order is entered into the Telephone Company's order distribution system.
  - **Loop Assignment and Make-up (LAM) Date:** The date by which Local Loop Assignment and Make-up information is available.
  - **Engineering Information Report Date (EIRD):** The date that the engineering information report for facilities and station equipment is received by the engineering control office (ECO).
  - **Design Layout Report Date (DLRD):** The date the Design Layout Report is forwarded to the Customer.
  - **Records Issue Date (RID):** The date that all design and assignment information is sent to the central office and installation forces.
  - **Designed, Verified, and Assigned (DVA) Date:** The date by which field implementation groups report that all documents and materials have been received.
  - **Wired and Office Tested (WOT) Date:** The date by which all intraoffice wiring is completed, all plug-ins optioned, aligned, and frame continuity established, and the interoffice facilities, if applicable, tested. In addition, switching equipment, including translation loading, is installed and tested.
  - **Frame Continuity Date (FCD):** The date on which frame-to-frame testing is completed. This is sometimes referred to as the Facility Continuity Check Date.
  - **Plant Test Date (PTD):** The date on which overall testing of the service is performed.
  - **Service Date (DD):** The date on which service is made available to the Customer. This is sometimes referred to as the Due Date.
-

ACCESS SERVICE

5. Ordering Regulations (Cont'd)

5.5 Cancellation of an Access Order (Cont'd)

(B) Cancellation Charge (Cont'd)

Table of Cancellation Charge Percentages

On or After:	Critical Dates (Percentage of Total Provisioning Cost)										
	APP	SID	LAM	EIRD	DLRD	RID	DVA	WOT	FCD	PTD	DD
Before:	SID	LAM	EIRD	DLRD	RID	DVA	WOT	FCD	PTD	DD	

Special Access Services

WATS

Access Line	1.6	4.7	6.6	9.5	13.2	18.7	33.2	44.6	56.6	83.6	100
-------------	-----	-----	-----	-----	------	------	------	------	------	------	-----

Program Audio

Service	1.4	4.1	5.8	8.3	11.5	16.2	28	37.1	49.5	80.5	100
---------	-----	-----	-----	-----	------	------	----	------	------	------	-----

(D)  
(D)

Video	12.9	29.2	33.1	35.5	37.5	42.9	55.7	66.2	69.9	86.2	100
-------	------	------	------	------	------	------	------	------	------	------	-----

All Other Special Access Services

Other

Services	12.9	29.2	33.1	35.5	37.5	42.9	55.7	66.2	69.9	86.2	100
----------	------	------	------	------	------	------	------	------	------	------	-----



---

ACCESS SERVICE

---

5. Ordering Regulations (Cont'd)

5.5 Cancellation of an Access Order (Cont'd)

(C) When Cancellation Charges Do Not Apply

- (1) When a Customer cancels an order for the discontinuance of service, no charges apply for the cancellation.
- (2) If the Telephone Company misses a service date by more than 30 days except due to circumstances such as acts of God, governmental requirements, work stoppages and civil commotions, the Customer may cancel the Access Order without incurring cancellation charges.

ACCESS SERVICE

5. Ordering Regulations (Cont'd)

5.6 Service-Specific Ordering Information

If a PIU is required, the customer must provide its PIU when placing an order for Access Services in accordance with Section 2.7.2 of this Guide.

5.6.1 Special Access Service

The customer must designate the customer premises and/or Hubs involved, the channel type, e.g., Voice Grade, the network channel interface, technical specification package and options desired and the percent interstate usage in accordance with Section 2.5.9. For multipoint services, the network channel interface specified at each premises may be different, but all such interfaces shall be compatible.

5.6.2 WATS Access Line Service

The customer must specify the type of calling for the service to be provided i.e., originating only, terminating only or two-way, and the Telephone Company provided screening functions desired. Additionally, when (a) the wire center which serves the WATS Access Line Service customer (end user) premises is not a WATS Serving Office (WSO) or (b) when that wire center is a WSO, but there is no available capacity, the Telephone Company will provide the WATS Access Line Service to the nearest wire center which functions as a WSO and/or at which capacity is available. In these circumstances, the customer will be so notified and the order will be changed to designate the appropriate WSO wire center. No Service Order Modification charge will apply for the change. However, the customer will be billed the appropriate channel mileage charge from the WATS Access Line Service customer's (end user's) serving wire center to the WATS or WATS-type serving office which serves that serving wire center.

5.6.3 Special Access Surcharge Exemption

Where the Special Access Service, including Access Advantage Plus (AA+) Transport Service, is exempt from the Special Access Surcharge as set forth in Section 7.4.4; the customer shall furnish the certification with the order, as set forth in that section.

5.6.4 Shared Use Facilities

Shared Use of the same digital high capacity facilities for the provision of both Switched and Special Access Services is permitted as long as both facilities have the same term plan, as referenced in 2.11.1.1(G). Shared Use facilities shall be ordered to a Hub and will be provided as Special Access Service. Individual services utilizing Shared Use facilities must be ordered either as Access Service or Special Access Service. When placing the order for such individual service(s), the customer must specify the channel assignment for each service ordered.

(T)  
|  
|  
|  
(T)

---

**ACCESS SERVICE**

---

**5. Ordering Regulations (Cont'd)****5.6 Service-Specific Ordering Information (Cont'd)****5.6.5 Shared Network Arrangement**

A Shared Network Arrangement is a service offering that enables a Customer (the "Service User") to connect subtending services to the multiplexed service of another Customer (the "Host Subscriber"), with the Telephone Company maintaining separate records and billing for each. Each Customer will be billed for those rate elements associated with their own portion of the service configuration. Under no circumstances will the rates or charges for individual rate elements be split. This offering is limited to service configurations where a Service User obtains subtending circuits from a Host's multiplexed service.

Under the Shared Network Arrangement, the Telephone Company may share record information with the Host Subscriber pertaining to the services of other users of the shared network. Such disclosure will be under the sole discretion of the Telephone Company as is necessary to perform billing reconciliations and/or functions required in connection with maintaining account records.

**(A) Establishing a Shared Network Arrangement**

When establishing Special Access Service or Switched Access Service under a Shared Network Arrangement, the Host Subscriber and the Service User must coordinate with each other the design, testing and maintenance of the service; additionally, the Service User must provide to the Telephone Company the Connecting Facility Assignment (CFA) and the High Capacity Billing Account Number (HBAN) of the Host Subscriber. The Telephone Company will undertake to connect the Service User's circuits to the Host's service, and to establish and maintain separate billing for the Service User's portion of the service. Additionally, the Service User must: (i) obtain a letter of authorization for the Shared Network Arrangement from the Host Subscriber, and (ii) provide a written copy of the letter of authorization to the Telephone Company if a dispute arises with respect to the authorization for the applicable Services.

---

**ACCESS SERVICE**

---

5. Ordering Regulations (Cont'd)5.6 Service-Specific Ordering Information (Cont'd)5.6.5 Shared Network Arrangement (Cont'd)(A) Establishing a Shared Network Arrangement (Cont'd)(1) Cascading Shared Network Arrangement

In the event that the Service User is requesting a subtending circuit from a Host Shared Network Arrangement with a third-party Host (a Cascading Shared Network Arrangement), the Service User must also obtain and provide to the Telephone Company the appropriate HBAN and CFA of the third-party Host, in order to identify the complete circuit for purposes of maintenance and testing continuity.

In a Cascading Shared Network Arrangement, it is the third-party Host's responsibility to notify the Host Subscriber of the Cascading Service User and provide them with the Cascading Service User contact information prior to the third-party Host's Shared Network Arrangement with the Cascading Service User.<sup>(1)</sup>

The Service User (including a Cascading Service User) will have Special Access Service under the Shared Network Arrangement, as long as (1) the applicable letter of authorization establishing the Service User's rights to participate in the Shared Network Arrangement has not been withdrawn by the Host Subscriber (or third-party Host), and (2) the Host Subscriber maintains the Shared Network Arrangement.<sup>(1)</sup>

<sup>(1)</sup>This regulation only applies to Customers purchasing Shared Network Arrangement after 05/26/06.

---

ACCESS SERVICE

---

5. Ordering Regulations (Cont'd)

5.6 Service-Specific Ordering Information (Cont'd)

5.6.5 Shared Network Arrangement (Cont'd)

(B) Disconnects and Modifications of the Shared Network Arrangement<sup>(1)</sup>

The Host Subscriber of the Shared Network Arrangement can disconnect or modify (groom) the Shared Network Arrangement by following the steps outlined in 5.6.15(B)(1), below.

(1) Disconnects of SNA

The Host Subscriber can disconnect the Shared Network Arrangement and the Special Access Services under Shared Network Arrangement, but only if the following requirements are met:

- (a) Written notification is provided to all Service Users (including Cascading Service Users) at least 30 days prior to the Host Subscriber issuing the Access Service Request for the disconnection of service; and
- (b) The Telephone Company has been provided a copy of all Service User notifications.

The Service User (including a Cascading Service User) shall submit a request to disconnect their Special Access Service in accordance with the Host Subscriber's (or third-party Host's) written notification. However, if any Service User does not submit a request to disconnect their Special Access Service under the Shared Network Arrangement within 30 days of receiving such notification, the Service User grants the Host Subscriber the right to disconnect the Service User's Special Access Service in accordance with the written notification, and the Telephone Company will have no liability to the Service User as a result of such disconnection. Billing for services and facilities will continue until a disconnect request(s) for the Special Access Services has been processed by the Telephone Company.

<sup>(1)</sup>This regulation only applies to Customers purchasing Shared Network Arrangement after 05/26/06.

---

**ACCESS SERVICE**

---

5. Ordering Regulations (Cont'd)5.6 Service-Specific Ordering Information (Cont'd)5.6.5 Shared Network Arrangement (Cont'd)(B) Disconnects and Modifications of the Shared Network Arrangement<sup>(1)</sup>  
(Cont'd)(1) Disconnects of SNA (Cont'd)

The Service User (including a Cascading Service User) is responsible for any applicable early termination fees associated with the disconnection of its Special Access Service under the discontinued Shared Network Arrangement.

(2) Grooming Special Access Service under SNA

The Host Subscriber can modify (groom) Special Access Services under a SNA, but only if the following requirements are met:

- (a) Written notification is provided to all Service Users (including a Cascading Service User) 30 days prior to issuing the Access Service Request for the modification; and
- (b) The Telephone Company is provided a copy of all Service User notifications.

The Service User (including a Cascading Service User) shall submit a request to modify (groom) its Special Access Service in accordance with the Host Subscriber's written notification. However, if any Service User does not submit a request to groom their Special Access Service under the Shared Network Arrangement within 30 days of receiving such notification, the Service User grants the Host Subscriber the right to issue the order for the grooming in accordance with the written notification, and the Telephone Company will have no liability to the Service User as a result of such orders. The Service User will be responsible for all Telephone Company fees and charges, including changes to the Service User's recurring charges resulting from the Host Subscriber's modification to the Shared Network Arrangement.

<sup>(1)</sup>This regulation only applies to Customers purchasing Shared Network Arrangement after 05/26/06.

---

**ACCESS SERVICE**

---

5. Ordering Regulations (Cont'd)5.6 Service-Specific Ordering Information (Cont'd)5.6.6 Access Advantage Plus (AA+) Transport Service

The AA+ Transport Service customer is responsible for channel assignments, which includes the following obligations:

- (A) Specify the DS0 channel assignments to connect AA+ Transport Service via Multiplexer Cross-Connections to the DS0 channels derived from other multiplexed high capacity service arrangements.
  - (B) Designate the consecutive DS0 channel assignments for the Bonded Channel Group configurations reflected in 25.1.2(B).
  - (C) Identify the DS0 channel assignments when rearranging or adding Multiplexer Cross-Connections associated with an existing AA+ Transport Service.
-

---

ACCESS SERVICE

---

5. Ordering Regulations (Cont'd)

5.7 Selection of Facilities for Access Orders

When a customer places an Access Order, it may choose to utilize Special Access facilities previously purchased to a Hub. If the customer has a high capacity interface for use with Switched Access Service DS1 or DS3, or has a Special Access Service facility purchased to a Hub, the customer must request that specific channels be used to implement the Access Order for all Direct-Trunked Transport and Entrance Facilities.

For all other Access Orders, the option to request a specific transmission path or channel is not provided except as provided for under Special Facilities Routing as set forth in Section 11. following.



---

**ACCESS SERVICE**

---

**5. Ordering Regulations (Cont'd)****5.8 Provision of Other Services**

- (A) Testing Service, Additional Labor, Telecommunications Service Priority(TSP) and Special Facilities Routing shall be ordered with an Access Order or as set forth in B. following. The rates and charges for these services, as set forth in other sections of this Guide, will apply in addition to the ordering charges set forth in this section and the rates and charges for the Access Service with which they are associated.
- (B) With the agreement of the Telephone Company, the items listed in (A) preceding may subsequently be added to the order at any time, up to and including the service date for the Access Service. When added subsequently, charges for a design change as set forth in 5.4 preceding will apply when an engineering review is required.
- (C) Additional Engineering is not an ordering option, but will be applied to an Access Order when the Telephone Company determines that Additional Engineering is necessary to accommodate a customer request. Additional Engineering will only be required as set forth in 8. following. When it is required, the customer will be so notified and will be furnished with a written statement setting forth the justification for the Additional Engineering as well as an estimate of the charges. If the customer agrees to the Additional Engineering, a firm order will be established. If the customer does not want the service or facilities after being notified that Additional Engineering of the Telephone Company facilities is required, the order will be withdrawn and no charges will apply. Once a firm order has been established, the total charge to the customer for the Additional Engineering may not exceed the estimated amount by more than 10%.

The regulations, rates and charges for Additional Engineering are as set forth in 8. following and are in addition to the regulations, rates and charges specified in this section.

ACCESS SERVICE

---

6. RESERVED

---

**ACCESS SERVICE**

---

**7. Special Access Service****7.1 General**

Special Access Service provides a channel, or transmission path, to connect two or more customer premises<sup>(1)</sup> or to connect a customer premises to a Wide Area Telephone Service (WATS) serving office or Telephone Company location where multiplexing functions are performed.

**7.2 Service Types**

For purposes of ordering, Special Access Services have been categorized by type. The categories are not intended to limit a customer's use of a service, nor to imply that a service is limited to a particular use, e.g., if a customer's equipment is capable of transmitting voice over a Metallic Service, there is no restriction against such use<sup>(2)</sup>.

The various types of Special Access Services can be further differentiated according to technical parameters which define the technical characteristics of each service. Customers can order Special Access Services in accordance with predefined technical specifications packages which are described in the appropriate technical reference publication(s) for the service ordered. In addition, customers may request a custom technical specifications package in association with certain services to meet specific transmission requirements. The Telephone Company will provide customer packages subject to technical feasibility and compatibility. Additional Engineering Charges, as set forth in Sec. 8, may be required in association with a request for such services.

<sup>(1)</sup> For the purpose of administering the rates and regulations associated with the provision of Special Access Service, Telephone Company Centrex CO-like Switches, and Telephone Company Answering Service Concentrators are considered to be customer premises.

<sup>(2)</sup> A customer may use a service in any privately beneficial manner. Upon request, the Telephone Company will arrange service under this Guide such that the customer can select different types of transmission at different times, which is referred to Alternate Use. Rates, charges and regulations for such arrangements will be handled on an individual case basis under Section 12 and will apply in addition to those for the service(s) ordered.

ACCESS SERVICE

7. Special Access Service (Cont'd)

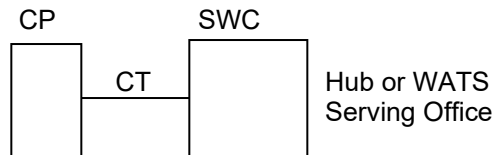
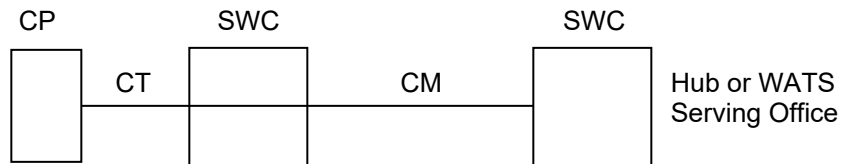
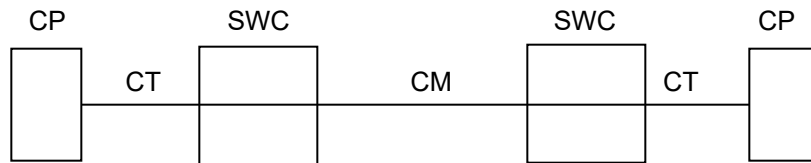
7.3 Special Access Service Configuration and Arrangements

7.3.1 Two-Point Service

A two-point Special Access Service connects:

- (A) two customer premises;
- (B) a customer premises and a Telephone Company Hub location where bridging and/or multiplexing functions are performed; or
- (C) a customer premises and a WATS Serving Office, either on a directly connected basis or through a Hub.

Example:



Legend: CM - Channel Mileage      CT - Channel Termination  
 CP - Customer Premises      SWC - Serving Wire Center

ACCESS SERVICE

7. Special Access Service (Cont'd)

7.3 Special Access Service Configuration and Arrangements (Cont'd)

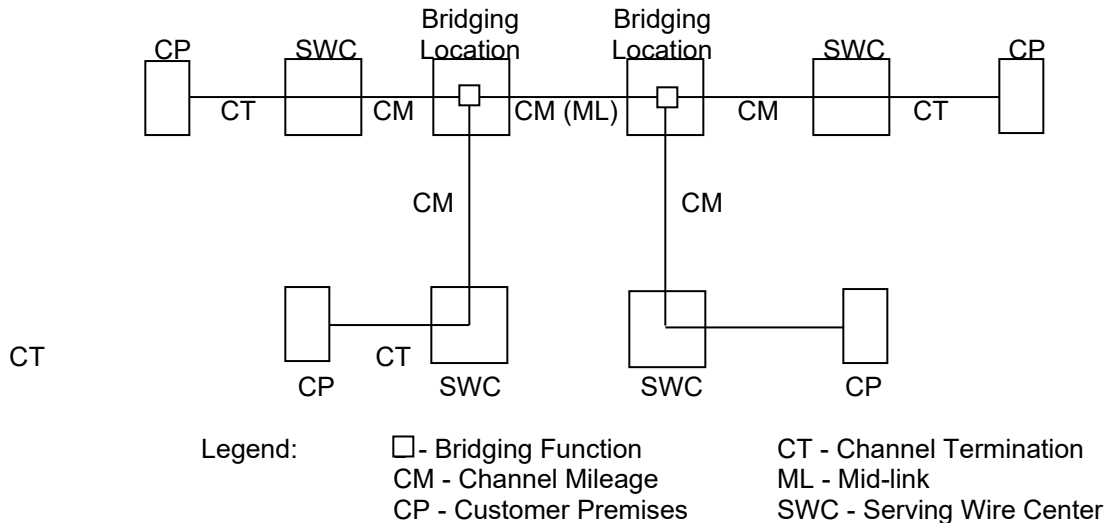
7.3.2 Multipoint Service

A customer has the option of ordering certain Special Access services, as designated in separate subsections which follow, to a bridging location to connect three or more customer premises in a multipoint arrangement. When ordering bridging, the customer must specify the desired bridging location(s), as set forth in National Exchange Carrier Association, Inc. Tariff F.C.C. No. 4.

When Hubs are involved, mileage is computed and rates are applied separately for each section of the Channel Mileage. However, when any service is routed through a Hub for purposes other than customer specified bridging or multiplexing, e.g., the Telephone Company routes a service via a Hub location for test access purposes, rates will be applied only to the distance calculated between the SWCs associated with the customer premises.

Channels are connected to a bridging arrangement through what is referred to as a port. A channel between bridging locations is referred to as a mid-link. Although there is no limitation on the number of mid-links available with multipoint service, when more than three mid-links are provided in tandem, the quality of the service may be degraded.

Example:



In this example, rates for four channel terminations, five sections of channel mileage and six bridging ports would apply.

---

ACCESS SERVICE

---

7. Special Access Service (Cont'd)

7.3 Special Access Service Configuration and Arrangements (Cont'd)

7.3.3 Video and Program Audio Hubs

The Telephone Company will designate certain Telephone Company locations as Program Audio and Video Hubs. A customer may order service(s) between customer premises and such Hubs, as set forth in National Exchange Carrier Association, Inc. Tariff F.C.C. No. 4. At the request of the customer, these services may be connected together at the Hub location to form an end-to-end service between customer premises.

7.3.4 Central Office Multiplexing

A customer has the option of ordering certain Special Access services to a Telephone Company multiplexing location to derive individual lower capacity channels. Descriptions of the types of multiplexing available and the number of individual channels which may be derived from each type of service may be found in separate subsections which follow. When ordering multiplexing, the customer must specify the desired multiplexing location(s), as set forth in National Exchange Carrier Association, Inc. Tariff F.C.C. No. 4. Billing for the higher capacity service to the multiplexing location and the multiplexing function commences on the date specified by the customer on the Access Order.

ACCESS SERVICE

7. Special Access Service (Cont'd)

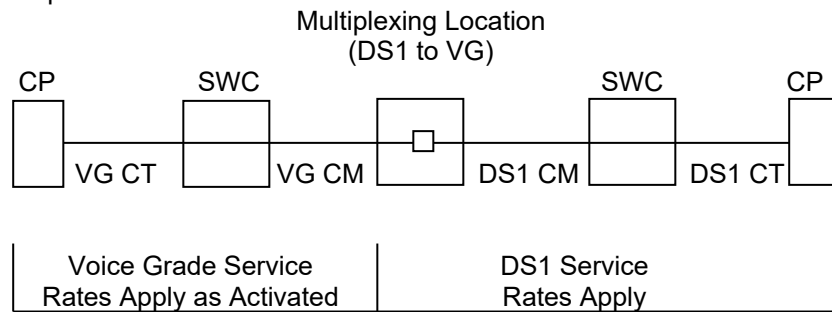
7.3 Special Access Service Configuration and Arrangements (Cont'd)

7.3.4 Central Office Multiplexing (Cont'd)

(A) Derived Channel Activation

Channels derived from multiplexing a higher capacity service may be utilized to provide end-to-end services. The customer activates and/or extends the derived channels by placing an order which includes the individual connecting facility assignment associated with the higher capacity service for each end-to-end service. Such services may be installed initially, or they may be ordered and installed at a later date, at the option of the customer. As individual lower capacity services are installed, rates and charges will be billed. At the option of the customer, these services may include optional features and functions.

Example:



Legend:

- |                          |                                |
|--------------------------|--------------------------------|
| CM - Channel Mileage     | □ - Multiplexing Function      |
| CP - Customer Premises   | SWC - Serving Wire Center      |
| CT - Channel Termination | DS1 - 1.544 Mbps High Capacity |

ACCESS SERVICE

7. Special Access Service (Cont'd)

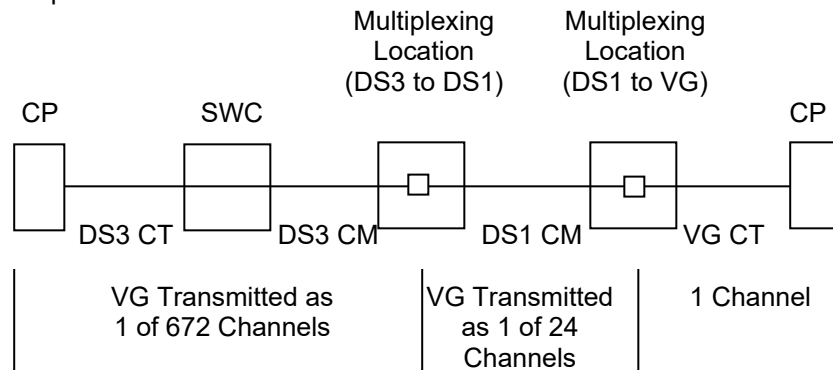
7.3 Special Access Service Configuration and Arrangements (Cont'd)

7.3.4 Central Office Multiplexing (Cont'd)

(B) Cascade Multiplexing

When a derived channel of a High Capacity Service is itself multiplexed to derive additional channels with a lesser capacity, this is referred to as cascade multiplexing. When cascading is ordered, a charge for the additional multiplexing function applies. When cascade multiplexing is performed at a different multiplexing location, as depicted in the example which follows, Channel Mileage charges apply between the multiplexing locations.

Example:



Legend:

- CM - Channel Mileage
- CP - Customer Premises
- CT - Channel Termination
- VG - Voice Grade Service
- - Multiplexing Function
- SWC - Serving Wire Center
- DS1 - 1.544 Mbps High Capacity
- DS3 - 44.736 Mbps High Capacity



ACCESS SERVICE

---

7. Special Access Service (Cont'd)

7.3 Special Access Service Configuration and Arrangements (Cont'd)

7.3.4 Central Office Multiplexing (Cont'd)

(C) Shared Use (Derived Channels Used for Switched and Special Access)

Shared Use refers to a rate application applicable only when the customer orders Special Access High Capacity facilities between a customer designated premises and a Telephone Company Hub where the Telephone Company performs multiplexing/demultiplexing functions and the same customer then orders the derived circuits as Switched Access Service. The Network Reconfiguration Service (NRS) is not available for shared use services.

The facility will be ordered, provided and rated as High Capacity Service (i.e., Channel Termination, Channel Mileage, as appropriate, and Multiplexing) between the customer designated premises and the Telephone Company Hub. The nonrecurring charge that applies when the Shared Use facility is installed will be the nonrecurring charge associated with the appropriate Special Access High Capacity Channel Termination.

As each individual circuit is activated for Switched Access Service, (T)  
the Special Access High Capacity Channel Termination, Channel |  
Mileage and Multiplexer rates will be reduced accordingly (e.g., for |  
Voice Grade capacity of Switched Access Service 1/24th of a DS1 |  
service, 1/672nd of a DS3 service, etc). Switched Access Service |  
rates and charges, as set forth in FCC 11Section 6, will apply for |  
each circuit of the Shared Use facility that is used to provide a |  
Switched Access Service. The Switched Access rates on the Shared |  
Use facility to the multiplexer will be at the capacity of the Special |  
Access facility but adjusted for the number of channels for Switched |  
Access including the multiplexer. From the multiplexer, the Switched (T)  
Access rates apply.

---

ACCESS SERVICE

---

7. Special Access Service (Cont'd)

7.3 Special Access Service Configuration and Arrangements (Cont'd)

7.3.4 Central Office Multiplexing (Cont'd)

(C) Shared Use (Derived Channels Used for Switched and Special Access) (Cont'd)

The customer must place an order for each individual Switched or Special Access Service utilizing the Shared Use Facilities and specify the circuit assignment for each such service.

When Special Access Service is provided utilizing a circuit of the Shared Use Facility to a Hub, High Capacity rates and charges will apply for the facility to the Hub as set forth preceding, and individual service rates and charges will apply from the Hub to the customer designated premises. The rates and charges that will apply to the portion from the Hub to the customer designated premises will be dependent on the specific type of Special Access Service that is provided (e.g., Voice Grade, etc.). The applicable rates and charges will include Channel Termination and Channel Mileage rates and charges, if applicable. Rates and charges for optional features and functions associated with the service, if any, will apply for the appropriate circuit type.

---

**ACCESS SERVICE**

---

**7. Special Access Service (Cont'd)****7.4 Special Access Service Rate Categories**

The following rate categories apply to Special Access Services:

This section contains the specific regulations governing the rates and charges that apply for Special Access Service.

Effective November 16, 2017, Competitive Counties and Non-Competitive Counties have been established and are defined in Section 2.13 and the wire centers within such counties are listed in Section 23.1.3 and 23.1.4.

For all rate elements other than End User channel terminations and their applicable optional features, price flex rates and charges, as provided in this Guide, apply, regardless of whether the county is Competitive or Non-Competitive.

For End User channel termination and their applicable optional features\*, the application of "price cap" or "price flex" is dependent upon whether or not the serving wire center is location in a Competitive County. If the End User channel termination is in a Competitive County, price flex rates and charges apply, as provided in this Guide. If the End User channel termination is in a Non-Competitive County, price cap rates and charge apply, as provided in Section 7 of FCC Tariff No. 11.

**7.4.1 Standard Channel Termination**

A Standard Channel Termination provides for the transmission facilities between a customer premises and the serving wire center of that premises. One Channel Termination charge applies per customer premises at which the Special Access Service is terminated. This charge applies even if the customer premises and the serving wire center are collocated in a Telephone Company building, e.g., Centrex CO type switch.

A Standard Channel Termination includes a standard network channel interface arrangement based on the technical characteristics of the Telephone Company facilities at the point of termination and the type of signaling capability, which, if required, is provided as an optional feature.

The Standard Channel Termination rate will apply for all Telephone Company Access Connections except High Capacity Services utilizing an Expanded Interconnection Arrangement. A Standard Channel Termination monthly rate will apply even when the customer designated premises and the serving wire center are located in the same Telephone Company building unless the customer establishes an Expanded Interconnection Arrangement, in which case the Cross-Connect Termination monthly rate will apply as specified in Section 18 following.

---

Certain material previously appearing on this page now appears on Page 7-9.1

Issued: February 1, 2018

Effective: February 16, 2018

(This page-filed under Transmittal No. 81)

---

**ACCESS SERVICE**

---

**7. Special Access Service (Cont'd)****7.4 Special Access Service Rate Categories**

The following rate categories apply to Special Access Services:

**7.4.2 Channel Mileage**

Channel Mileage provides for the transmission facilities between:

- (A) the serving wire centers (SWCs) associated with two customer premises;
- (B) a SWC associated with a customer premises and a Telephone Company Hub location;
- (C) a SWC associated with a customer premises and a WATS serving office;
- (D) two Telephone Company Hub locations.

Channel Mileage rates apply according to mileage bands, with two monthly rates applying for each band, i.e., a fixed (flat) rate plus a per mile rate.

Material on this page previously appeared on Page 7-9.

---

---

ACCESS SERVICE

---

7. Special Access Service (Cont'd)

7.4 Special Access Service Rate Categories (Cont'd)

7.4.2.1 Collocation Transport

Collocation Transport provides for the transmission facilities between collocation arrangements located in Telephone Company Central Offices.

There are two components of Collocation Transport.

(1) Inter/Intra Office Fixed

Inter/Intra office fixed rate element provides for the electronic equipment required to terminate a channel between two collocation arrangements located either in the same central office (intra) or in two separate central offices (inter).

When the DS1 Intra Office Fixed channel is ordered between two collocation arrangements that are for the same collocator, it will be provisioned as a temporary arrangement and will be in service until the collocator's own facilities are installed, not to exceed 150 days. There is no additional charge to disconnect these temporary facilities.

(2) Inter Office Per Mile

The Per Mile charge provides for the electronic equipment and facilities necessary to provide the interoffice transport between two collocation arrangements.

7.4.3 Optional Features and Functions

Optional features and functions may be ordered to improve the quality or utility of a Special Access Service to meet specific communications requirements. These features and functions are not necessarily identifiable with specific equipment; rather, they represent the overall performance characteristics which may be obtained using various combinations of equipment. Although the equipment necessary to perform a specified function may be installed at various locations on the facility, each optional feature and/or function is charged for as a single rate element.

---

**ACCESS SERVICE**

---

7. Special Access Service (Cont'd)7.4 Special Access Service Rate Categories (Cont'd)7.4.4 Special Access Surcharge

The Special Access Surcharge compensates the Telephone Company for use of the local exchange network when Special Access Service is connected to a PBX or equivalent device which is capable of interconnecting the Special Access Service with Telephone Exchange Service.

The Telephone Company will automatically bill the surcharge to the customer who orders each Special Access Service, regardless of whether the interconnection capability exists in the customer's equipment or in a Centrex CO type switch, unless written certification is received from the customer certifying exemption status as set forth following.

(A) Surcharge Exemptions

A Special Access Service will be exempt from the surcharge if the customer provides the Telephone Company written certification that the Special Access Service termination is in one of the following categories:

- (1) an open-end termination in a Telephone Company switch of an FX line, including CCSA and CCSA-type ONALS;
  - (2) an analog channel termination that is used for radio or television transmission;
  - (3) a termination used for TELEX service;
  - (4) a termination that, by the characteristics of its operating nature, could not make use of Telephone Exchange Service;
  - (5) a termination that interconnects, either directly or indirectly, to the local exchange network where the usage is subject to Carrier Common Line charges, e.g., the Special Access Service accesses only FGA and no local exchange lines, or Special Access Service between customer points of termination or Special Access Service connecting CCSA or CCSA-type equipment (inter-machine trunks); or
  - (6) a termination that the customer certifies is not connected to a PBX or other device capable of interconnecting the Special Access Service to Telephone Exchange Service.
-

---

ACCESS SERVICE

---

7. Special Access Service (Cont'd)

7.4 Special Access Service Rate Categories (Cont'd)

7.4.4 Special Access Surcharge (Cont'd)

(B) Surcharge Exemption Certification

Special Access Services which are terminated as set forth in A. preceding will be exempt from the Surcharge if the customer provides the Telephone Company with a written notification certifying exemption. Such notification shall be provided by the customer (1) at the time the Special Access Service is provided; (2) at such time as the Special Access Service is reterminated in a device not capable of interconnecting to Telephone Exchange Service or (3) at such time as the Special Access Service becomes associated with a Switched Access Service that is subject to Carrier Common Line charges.

If written certification is not received at the time Special Access Service is provided, the surcharge will be applied. Subsequent exemption status will become effective on the certification date indicated by the customer, subject to the regulations in (C) following.

The written certification (1) is to be provided by the customer ordering the service; (2) must be signed by the customer or authorized representative; and (3) must include the category of exemption and the date which the exemption is effective for each termination.

The customer shall also notify the Telephone Company when a Special Access Service with a surcharge exemption is changed or reterminated in such a manner that the exemption is no longer applicable.

(C) Crediting the Surcharge

The Telephone Company will cease billing the Surcharge subject to the receipt of exemption certification. If the status of a Special Access Service was changed prior to the date the exemption certification was received, the Telephone Company will credit the customer's account. Such credit will not exceed ninety (90) days based on the effective date of the change specified in the customer's written certification.

---

ACCESS SERVICE

---

7. Special Access Service (Cont'd)

7.4 Special Access Service Rate Categories (Cont'd)

7.4.4 Special Access Surcharge (Cont'd)



ACCESS SERVICE

7. Special Access Service (Cont'd)

7.5 Special Access Service Description Summaries

There are two sets of identifying codes associated with each service type:

- (A) a three or four position alpha/numeric code set referred to as a Service Designator (SD) and
- (B) a four position code set referred to as a Network Channel (NC) Code. The first two alpha characters are directly related to the Service Designator code, while the remaining positions refer to optional features.

A brief description of each Special Access Service type is set forth in the following table. More detailed information regarding these services may be found in separate subsections which follow and in the appropriate technical reference publication(s) for the service ordered.

<u>Service Type</u> <u>SDs/NCs</u>	<u>Description</u>	<u>Technical Reference Publications</u>
<u>Voice Grade</u> VG1/LB VG8/LJ VG2/LC VG9/LK VG3/LD VG10/LN VG4/LE VG11/LP VG5/LF VG12/LR VG6/LG VGC/LQ VG7/LH	A channel for the transmission of analog signals in the nominal frequency range of 300 to 3000 hz.	TR-TSY-000335 PUB 41004, Table 4
<u>WATS Access Line</u> WAL/SE WAL/SF	A channel for the transmission of analog signals in the nominal frequency range of 300 to 3000 Hz between a customer premises and a WATS serving office for 800 service, WATS, or similar services.	TR-NWT-000334
<u>Program Audio</u> AP1/PE AP2/PF AP3/PJ AP4/PK APC/PQ	A channel for the transmission of complex audio signals suitable for broadcast. The nominal frequency bandwidths are from: - 200 to 3500 Hz (AP1) - 100 to 5000 Hz (AP2) - 50 to 8000 Hz (AP3) - 50 to 15000 Hz (AP4)	TR-NPL-000337

## ACCESS SERVICE

7. Special Access Service (Cont'd)7.5 Special Access Service Description Summaries (Cont'd)

<u>Service Type</u> <u>SDs/NCs</u>	<u>Description</u>	<u>Technical Reference Publications</u>
<u>Video</u> TV1/TV TV2/TW TVC/TQ	A channel for the transmission of a standard 525 line/60 field monochrome or National Television Systems Committee signal and one to four associated 5, 15, or 20 kHz audio signals.	TR-TSV-000338
<u>Digital Data</u> DA1/XA DA2/XB DA3/XG DA4/XH DA6/XD	A channel for the digital transmission of synchronous serial data at bit rates of: 2.4 kbps (DA1) 4.8 kbps (DA2) 9.6 kbps (DA3) 56.0 kbps (DA4) 64.0 kbps (DA6)	TR-NPL-000341
<u>High Capacity</u> HC1/HC HC1C/HD HC2/HE HC3/HF	A channel for the transmission of isochronous serial data at bit rates of: - 1.544 Mbps – 24 equivalent voice grade channels (HC1, also referred to as DS1) - 3.152 Mbps – equivalent to two DS1 channels (HC1C, also referred to as DS1C) - 6.312 Mbps – equivalent to four DS1 channels (HC2, also referred to as DS2) - 44.736 Mbps – equivalent to 28 DS1 channels	PUB 62411 GR-342-CORE

---

 ACCESS SERVICE
 

---

7. Special Access Service (Cont'd)7.6 Special Access Service Network Channel Interface (NCI) Code Information7.6.1 General

When ordering service, the customer must specify network channel interface (NCI) codes which relate to the desired electrical interface characteristics of a Special Access Service at the points of termination. The NCI codes which are available at the point of termination are set forth according to service type in separate subsections which follow.

An NCI code may occupy up to a maximum of twelve filed positions, including periods which are used as delimiters. Depending on the type of service, an NCI code may contain up to five components, as shown in the following example and narrative:

<u>04</u>	<u>GS</u>	<u>2</u>	<u>C</u>	<u>ZA</u>
A	B	C	D	E

- |   |                    |   |
|---|--------------------|---|
| A | - <u>Wires</u>     | two digits which indicate the number of physical conductors which traverse the point of termination, e.g. "04" signifies four-wire;   |
| B | - <u>Signaling</u> | two alpha characters which identify the signaling and/or transmission characteristics of the interface, e.g., "GS" specifies a Voice Grade Service with ground start loop signaling;  |
| C | - <u>Impedance</u> | a single digit entry which specifies the nominal reference impedance with which the service will be terminated for the purpose of evaluating transmission performance, e.g., "2" signifies 600 ohms;  |
| D | - <u>Options</u>   | up to three alpha/numeric characters which provide a more specific definition of the technical capability of a specific interface, e.g., a "C", combined with the "GS" preceding indicates a Centrex Foreign Exchange termination; and  |
| E | - <u>Levels</u>    | for certain services, alpha/numeric positions are used to indicate transmit and receive transmission level information, e.g., "Z" indicates that the signal level received at the point of termination from the Telephone Company will be +7.0 dB; and "A" indicates that the signal level to be transmitted to the Telephone Company will be -16.0 dB. |
-

ACCESS SERVICE

---

7. Special Access Service (Cont'd)

7.6 Special Access Service Network Channel Interface (NCI) Code Information (Cont'd)

7.6.2 Network Channel Interface Code Translation Information

A summary of the information required to translate NCI codes is included, by service type, in separate subsections which follow, with the exception of the following transmission level information which is common to more than one service:

<u>Code Level</u>	<u>Code Level</u>	<u>Code Level</u>
A -16 dB	L -6 dB	X +5 dB
B -15	M -5	Y +6
C -14	N -4	Z +7
D -13	P -3	I Fractional levels
E -12	Q -2	O No transmission in this direction (one-way service)
F -11	R -1	Blank Use recommended value shown the technical reference manual
G -10	S 0.0	
H -9	T +1	
J -8	U +2	
K -7	W +4	

ACCESS SERVICE

---

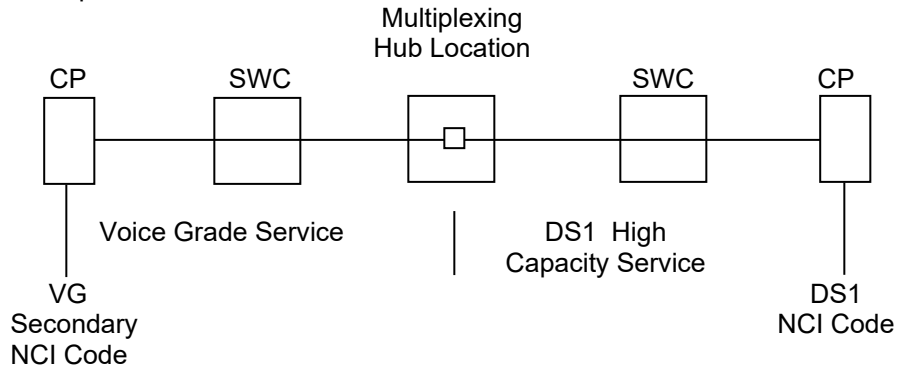
7. Special Access Service (Cont'd)

7.6 Special Access Service Network Channel Interface (NCI) Code Information (Cont'd)

7.6.3 Compatibility

The NCI codes specified for the two ends of a Special Access Service may be different or the same. Furthermore, due to the use of optional central office multiplexing, a Special Access Service may have the NCI code of one service, e.g. Voice Grade, at one point of termination and the NCI code of another service, e.g. DS1 High Capacity, at the other (secondary) point of termination.

Example:



Legend:

- CP - Customer Premises
- SWC - Serving Wire Center
-  - Multiplexing Function

Only certain NCI code combinations are technically compatible. NCI code compatibility information is set forth in the appropriate technical reference publication(s) for the service ordered.

ACCESS SERVICE

---

7. Special Access Service (Cont'd)

7.9 Voice Grade Special Access Service

7.9.1 Basic Service Description

Voice Grade Service provides a channel for the transmission of analog signals in the nominal frequency range of 300 to 3000 Hz.

Voice Grade Service is provided between customer premises or between a customer premises and a Telephone Company Hub location.

7.9.2 Technical Information

Voice Grade Service is available in accordance with twelve technical specifications packages. Custom packages may also be specified.

Voice Grade Service may be terminated at a customer premises on either a two-wire or four-wire basis, as set forth in the following table. When a customer requests that a four-wire channel termination be terminated with a two-wire channel interface, a four-wire to two-wire conversion is required and is included in the basic Channel Termination rate.

<u>Service Designator</u>	<u>Network Channel Code</u>	<u>Customer Premises Termination</u>	
		<u>2-Wire</u>	<u>4-Wire</u>
VG1	LB	A	A
VG2	LC	A	A
VG3	LD	A	A
VG4	LE	-	A
VG5	LF	A	A
VG6	LG	-	A
VG7	LH	A	A
VG8	LJ	A	A
VG9	LK	-	A
VG10	LN	-	A
VG11	LP	A	A
VG12	LR	A	A
VGC	LQ	A	A

ACCESS SERVICE

---

7. Special Access Service (Cont'd)

7.9 Voice Grade Special Access Service (Cont'd)

7.9.2 Technical Information (Cont'd)

Voice Grade Service shall be ordered with the options desired with network channel interface (NCI) codes, as shown below, at the point of termination.

02AB2	02AB3	04AB2	04AB3	02AC2	04AC2
02CT3	04CT2	02DA2	04DA2	06DA2	02DB2
04DB2	04DD3	02DE2	04DE2	04DX2	04DX3
06DX2	02DY2	04DY2	06DY2	06DY3	09DY2
09DY3	04EA2	04EA3	06EA2	09EA2	09EA3
06EB2	08EB2	08EC2	06EX2	02G02	02G03
04GO2	04GO3	06GO2	02GS2	02GS3	02GS3
04GS2	04GS2	04GS3	06GS2	02LA2	02LB2
02LC2	02L02	02LO3	04LO2	04LO3	06LO2
02LR2	02LR3	04LR2	04LR3	02LS2	02LS3
04LS2	04LS3	06LS2	02NO2	04NO2	02PR2
04PR2	02RV2	04RV2	04SF2	04SF3	02TF2
02TF3	04TF2	04CS9			

In addition, NCI codes 06EB3-E and 04RV3-T may be ordered. Furthermore, due to the use of optional multiplexing at a central office or a Hub location, a service may have a Voice Grade NCI code at one customer premises and a Wideband Analog (code AH) or a High Capacity Digital (code DS) NCI code at the other.

The Voice Grade Service NCI code translation information follows:

<u>Wires</u>		<u>Impedance</u>	
<u>Code</u>	<u>No.</u>	<u>Code</u>	<u>ohms</u>
02	2	2	600
04	4	3	900
06	6		
08	8		
09	9		

Note: The following NCI codes require signaling capability:

AB, AC, CT, DX, DY, EA, EB, EC, EX, GO,  
GS, LA, LB, LC, LO, LR, LS, RV and SF

ACCESS SERVICE

7. Special Access Service (Cont'd)

7.9 Voice Grade Special Access Service (Cont'd)

7.9.2 Technical Information (Cont'd)

		Signaling
Code	Option	Description
AB		20-Hz ringing signal at customer
AC		20-Hz ringing signal at customer's customer
	R	2 digit code select 10
CS		Digital hierarchy interface at a central office
		Digital crossconnect (or similar) device
CT		Centrex tie trunk termination
DA		Data stream in voice frequency band at customer's customer
	S	Sealing current option for 4-wire transmission
DB		Data stream in voice frequency band at customer
DX		Duplex signaling at customer X      Simplex reversal (4-wire)
DY		Duplex signaling at customer's customer
EA	E	Type I E&M signaling - originates on E lead
M		Type I E&M signaling - originates on M lead
EB	E	Type II E&M signaling - originates on E lead
M		Type II E&M signaling - originates on M lead
EC		Type III E&M signaling - originates on M lead
EX	A	Connects signaling functions of tandem signaling equipment - customer supplies open end functions, e.g. dial tone
EX	B	Connects signaling functions of tandem signaling equipment - customer supplies closed end functions e.g., dial pulsing
GO		Ground start loop signaling - customer or customer's customer supplies open end functions
	X	Simplex reversal (4-wire)
GS		Ground start loop signaling - customer or customer's customer supplies closed end functions
	C	Centrex foreign exchange termination
	M	Central Office answering service concentrator termination
	X	Simplex reversal (4-Wire)

Note: The following NCI codes require signaling capability:

AB, AC, CT, DX, DY, EA, EB, EC, EX, GO,  
GS, LA, LB, LC, LO, LR, LS, RV and SF



ACCESS SERVICE

7. Special Access Service (Cont'd)

7.9 Voice Grade Special Access Service (Cont'd)

7.9.2 Technical Information (Cont'd)

		Signaling
Code	Option	Description
LA		Loop start signaling - Type A registered port, open end
LB		Loop start signaling - Type B registered port, open end
LC		Loop start signaling - Type C registered port, open end
LO		Loop start signaling - open end function by customer or customer's customer
LR	X	Simplex reversal (4-wire) 20 Hz ringdown with Telephone Company provided private line automatic ringdown (PLAR)
LS		Loop start signaling - closed end function by customer or customer's customer
	M	Central office answering service concentrator termination
	X	Simplex reversal (4-wire)
NO		No signaling interface - transmission only
	S	Sealing current (4-wire)
PR		Protective relaying
RV		Reverse battery signaling, one-way operation
	O	Customer originates
	T	Customer or customer's customer terminates
SF		Single-frequency signaling within VF band
	AB	SF to manual ring
	EA	SF to E&M signaling
	GO	SF to loop signaling, ground start, open end
	GS	SF to loop signaling, ground start, closed end
	LO	SF to loop signaling, loop start, open end
	LS	SF to loop signaling, loop start, closed end
	LR	SF to automatic ring
TF		Telephoto interface

Note: The following NCI codes require signaling capability:

AB, AC, CT, DX, DY, EA, EB, EC, EX, GO,  
GS, LA, LB, LC, LO, LR, LS, RV and SF

The Voice Grade Service technical specifications, transmission parameters, and compatible NCI codes are set forth in Technical References TR-TSY-000335 and PUB 41004.

---

 ACCESS SERVICE
 

---

7. Special Access Service (Cont'd)7.9 Voice Grade Special Access Service (Cont'd)7.9.3 Optional Features and Functions(A) Transmission Enhancement Options

C Conditioning - Provides for the additional control of both attenuation distortion and envelope delay distortion.

Improved Attenuation Distortion - Improved attenuation distortion is provided for additional control of attenuation distortion. The improved attenuation distortion specifications are:

Attenuation Distortion (Frequency Response) <u>Relative to 1004 Hz</u>	
Frequency Variation	
<u>Range (Hz)</u>	<u>(dB)</u>
404-2804	-1.0 to +2.0
304-3004	-1.0 to +3.0
304-3204	-2.0 to +6.0

Improved Return Loss (Echo Control) - Improved return loss at a four-wire point of termination provides for improved echo control via an upgraded Equal Level Echo Path Loss (ELEPL). Improved return loss at a two-wire point of termination will provide echo control via an upgraded return loss limit. When this option is ordered, Telephone Company equipment may be required at the customer premises.

Sealing Current Conditioning - Helps maintain continuity on dry metallic loops. Usually associated with four-wire DA or NO NCI codes at the point of termination.

Data Capability - Provides for the control of signal to C-notched noise ratio and intermodulation distortion to provide two-point or multipoint transmission characteristics suitable for data communications. When a service equipped with data capability is used for voice transmission, the quality of the voice transmission may not be satisfactory.

Telephoto Capability - Provides for the control of attenuation distortion and envelope delay distortion to provide transmission characteristics suitable for telephotographic communications.

---

---

ACCESS SERVICE

---

7. Special Access Service (Cont'd)

7.9 Voice Grade Special Access Service (Cont'd)

7.9.3 Optional Features and Functions (Cont'd)

(B) Customer Premises Terminating Options

Customer Specified Receive Level - Allows the customer to specify the four-wire receive level at the point of termination within a range.

(C) Signaling Capability

Provides the means by which a customer initiates a request for service, holds a connection, or releases a connection. The signaling desired by the customer is specified in the NCI code.

(D) Selective Signaling Arrangement

Permits code selective ringing for up to ten stations on a multipoint service.

(E) Bridging

Provides the capability of connecting three or more customer premises in a multipoint arrangement at a Telephone Company Hub location on either a two-wire or four-wire basis. The types of bridging available include: Voice, Data, Telephoto, Telemetry and Alarm.

(F) Transfer Arrangement

Provides for the transfer of one Voice Grade Service to another spare or working service which terminates at the same or different customer premises. The arrangement may be (1) key activated over a separately rated Metallic Service control channel; or (2) key activated using a Controller Arrangement as set forth in Section 13.

(G)

ACCESS SERVICE

7. Special Access Service (Cont'd)

7.9 Voice Grade Special Access Service (Cont'd)

7.9.3 Optional Features and Functions (Cont'd)

(H) Network Reconfiguration Service (NRS)

An arrangement that provides the customer the ability to control the reconfiguration of their Special Access services (digital or analog) on a near real-time basis by means of the special provisioning of these services through a Digital Crossconnect Device (DCD). NRS can accommodate the termination and reconfiguration of circuits up to the 56.0 Kbps and 1.544 Mbps signal levels. The reconfiguration of services is accomplished at the DSO level. Customer access to the reconfiguration capability is accomplished through a Network Controller and is on the basis of either a local telephone company dial-up or dedicated facility arrangement.

The DCDs are located in specific Telephone Company serving wire centers, and are connected to a centralized Network Controller. Therefore, NRS is available only from selected serving wire centers.

(I) Data Station Termination Unit (DST)

Line powered environmental (weather protected) data unit provides 4 wire interface and remote loopback capability at 2713 Hz. Available on VG6 and VG7.

The following table shows the optional feature and function availability (A) for the Voice Grade Service technical specifications packages.

	<u>VG1</u>	<u>2</u>	<u>3</u>	<u>4</u>	<u>5</u>	<u>6</u>	<u>7</u>	<u>8</u>	<u>9</u>	<u>10</u>	<u>11</u>	<u>12</u>	<u>VGC</u>
(A) Transmission Enhancements:													
- C Conditioning	-	-	-	-	A	A	A	A	A	A	-	-	A
- Improved Attenuation Distortion	-	-	-	-	A	A	A	A	A	A	-	-	A
- Improved Return Loss													
- At four-wire POT	A	A	A	A	A	A	A	A	A	A	A	A	A
- At two-wire POT	-	A	A	-	-	-	A	-	-	-	-	-	A
- Sealing Current													
- C Conditioning	-	-	-	-	-	A	-	-	-	A	-	-	A
- Data Capability	-	-	-	-	-	A	A	-	-	A	-	-	A
- Telephoto Capability	-	-	-	-	-	-	-	-	-	-	A	-	A

ACCESS SERVICE

7. Special Access Service (Cont'd)

7.9 Voice Grade Special Access Service (Cont'd)

7.9.3 Optional Features and Functions (Cont'd)

	<u>VG1</u>	<u>2</u>	<u>3</u>	<u>4</u>	<u>5</u>	<u>6</u>	<u>7</u>	<u>8</u>	<u>9</u>	<u>10</u>	<u>11</u>	<u>12</u>	<u>VGC</u>
(B) Customer Premises Terminating Options:													
- Customer Specified Receive Level	-	A	A	-	-	-	A	A	A	-	-	-	A
(C) Signaling Capability													
- Loop-Start	A	A	A	-	-	-	A	A	-	-	-	-	A
- Ground-Start	A	-	A	-	-	-	A	-	-	-	-	-	A
- E&M Lead	-	-	A	-	-	-	A	A	A	-	-	-	A
- Reverse-Battery	-	-	A	-	-	-	A	-	-	-	-	-	A
- Duplex	-	-	A	-	-	-	A	A	A	-	-	-	A
- Single-Frequency	-	A	-	-	-	-	A	A	A	-	-	-	A
- 20-Hz Ringing	-	A	-	-	-	-	-	-	-	-	-	-	A
(D) Selective Signaling Arrangement	-	A	-	-	-	-	-	-	-	-	-	-	A
(E) Bridging	-	A	-	-	A	A	-	-	-	A	A	A	A
(F) Transfer Arrangement	A	A	A	A	A	A	A	A	A	A	A	A	A
(H) Network Reconfiguration Service	A	A	A	A	A	A	A	A	A	A	A	A	A
(I) Data Station Termination Unit (DST)	-	-	-	-	-	A	A	-	-	-	-	-	-

---

ACCESS SERVICE

---

7. Special Access Service (Cont'd)

7.9 Voice Grade Special Access Service (Cont'd)

---

ACCESS SERVICE

---

7. Special Access Service (Cont'd)

7.9 Voice Grade Special Access Service (Cont'd)

(T)  
(T)

---

ACCESS SERVICE

---

7. Special Access Service (Cont'd)

7.9 Voice Grade Special Access Service (Cont'd)



ACCESS SERVICE

---

7. Special Access Service (Cont'd)

7.10 WATS Access Line Service (WAL Service)

7.10.1 Basic Service Description

WAL Service provides a channel for the transmission of analog signals in the nominal frequency range of 300 to 3000 Hz. WAL Service may be provided using an effective two-wire or four-wire voice grade channel.

The Service is provided between a customer premises and a WATS serving office associated with the closed end of 800 Service, WATS or similar services. WAL Service is provided for use with Feature Group A, B, or D Switched Access Service as set forth in Section 6.

7.10.2 Technical Information

At the option of the customer, WAL Service is arranged for either: (1) originating, terminating or two-way calling; (2) dial pulse or dual tone multifrequency address signaling; and (3) loop start or ground start, subject to the technical limitations specified in Technical Reference TR-NWT-000334.

The Network Channel code for WAL Service is either SE (standard transmission) or SF (improved two-wire transmission). WAL Service shall be ordered with the following network channel interface (NCI) codes at the point of termination:

WATS Serving  
Office  
Supervisory  
Signaling

NCI Codes

Loop-Start	02LS2	02LS3	04LS2	04DS9	
Ground-Start	02GS2	02GS3-C*	04GS2-C	04GS2	04DS9

Additional information regarding these NCI codes is set forth under Voice Grade and High Capacity Digital Service.

The technical specifications, transmission parameters and compatible NCI codes for WAL Service are set forth in Technical Reference TR-NWT-000334.

---

ACCESS SERVICE

---

7. Special Access Service (Cont'd)

7.10 WATS Access Line Service (WAL Service) (Cont'd)

7.10.3 Optional Features and Functions

WAL Service is available with the following optional features and functions:

Signaling Capability, Two-wire and Four-wire Bridging, Improved  
Two-wire Voice Transmission Specifications

In addition, certain other options associated with WAL Service are set forth in Section 6 under the heading of Switched Access Service End Office Line Termination or Common Switching optional features.

---

 ACCESS SERVICE
 

---

7. Special Access Service (Cont'd)7.11 Program Audio Special Access Service7.11.1 Basic Service Description

Program Audio Service provides a channel for the one-way transmission of a complex audio signal suitable for broadcast. The actual frequency bandwidth of the channel is a function of the channel interface selected by the customer.

Program Audio Service is provided between customer premises or between a customer premises and a Telephone Company Hub location.

7.11.2 Technical Information

Program Audio Service is available in accordance with the following technical specifications packages:

<u>Service Designator</u>	<u>Network Channel Code</u>	<u>Description (bandwidth)</u>
AP1	PE	200 to 3500 Hz
AP2	PF	100 to 5000 Hz
AP3	PJ	50 to 8000 Hz
AP4	PK	50 to 15000 Hz
APC	PQ	Custom Packages

ACCESS SERVICE

---

7. Special Access Service (Cont'd)

7.11 Program Audio Special Access Service (Cont'd)

7.11.2 Technical Information (Cont'd)

Program Audio Service shall be ordered with the following network channel interface (NCI) codes at the point of termination:

02PG-1    02PG1-3    02PG1-5    02PG1-8    02PG2-1  
 02PG2-3    02PG2-5    02PG2-8

In addition, due to the use of optional multiplexing at a central office or a Hub location, a service may have a Program Audio NCI code at one customer premises and a Wideband Analog (code AH) or a High Capacity Digital (code DS) NCI code at the other.

The Program Audio Service NCI code translation follows:

<u>Code</u>	<u>No. of Wires</u>	<u>Code</u>	<u>Option Code</u>	<u>Description</u>
02	2	PG		Program transmission - no signaling
			1	Nominal frequency from 50 to 15000 Hz
			3	Nominal frequency from 200 to 3500 Hz
			5	Nominal frequency from 100 to 5000 Hz
			8	Nominal frequency from 50 to 8000 Hz

Code    Impedance (ohms)

1        150  
 2        600

The program Audio Service technical specifications, transmission parameters and compatible NCI codes are set forth in Technical Reference TR-NPL-000337.

ACCESS SERVICE

---

7. Special Access Service (Cont'd)

7.11 Program Audio Special Access Service (Cont'd)

7.11.3 Optional Features and Functions

Bridging

Provides for service interconnection using distribution amplifiers at a Telephone Company Hub location.

Gain Conditioning

Provides for the control of 1004 Hz Actual Measured Loss at initiation of service to 0 dB + 0.5 dB.

Stereo

Provides for gain/phase equalization of two separately ordered Program Audio Services for stereo applications.

The following table shows the optional feature and function availability (A) for the Program Audio Service technical specifications package:

	<u>AP1</u>	<u>AP2</u>	<u>AP3</u>	<u>AP4</u>	<u>APC</u>
Bridging	A	A	A	A	A
Gain Conditioning	A	A	A	A	A
Stereo	-	-	-	A	A

---

ACCESS SERVICE

---

7. Special Access Service (Cont'd)

7.11 Program Audio Special Access Service (Cont'd)

---

ACCESS SERVICE

---

7. Special Access Service (Cont'd)

7.11 Program Audio Special Access Service (Cont'd)

---

ACCESS SERVICE

---

7. Special Access Service (Cont'd)

7.12 Video Special Access Service

7.12.1 Service Description

(A) Video Service

Video service provides a channel for the one-way transmission of a standard 525 line/60 field monochrome, or National Television Systems Committee color, video signal and one or more associated 5, 15 or 20 KHz audio signal(s).

Video service is provided between customer premises or between a customer premises and a Telephone Company Hub location.

(1) Broadcast Video

Broadcast Video Service is provided at bandwidths of 30 Hz to 6.6 MHz and 30 Hz to 4.5 MHz, and is provided with one to four associated audio signal(s). At the option of the customer, the associated audio signal(s) may either be combined (diplexed) with the video signal or provided as one to four separate channels at the point of interface.



---

**ACCESS SERVICE**

---

7. Special Access Service (Cont'd)7.12 Video Special Access Service (Cont'd)7.12.1 Service Description (Cont'd)(A) Video Service (Cont'd)(4) Multichannel Video Service<sup>(1)</sup>

Multichannel Video Service (MVS) provides one-way transport of standard 525 line/60 field monochrome or National Television Systems Committee (NTSC) color video signals of broadcast quality, and their associated audio signals. MVS provides for the transmission of up to 16 individual 6 Mhz, uncompressed digital signals with up to four associated audio channels.

MVS channels are provided over fiber optic facilities for transmission between customer designated premises, or between a customer designated premises and a Telephone Company Hub. Fiber optic facilities associated with MVS are subject to availability between the customer designated premises or Hubs. The Telephone Company will assist the customer in determining if transmission facilities are available, or can be made available, and advise the customer of facility status. Technical specifications are delineated in Technical Publication GR- 2904-CORE, Issue 1.

<sup>(1)</sup> Effective August 25, 2011, MVS is no longer available to new customers. There is no change for existing customers.

---

**ACCESS SERVICE**

---

7. Special Access Service (Cont'd)7.12 Video Special Access Service (Cont'd)7.12.2 Optional Features and FunctionsVideo Switching Arrangements

Video Switching Arrangements allow the customer to switch the connection of their video signals between different end points. The video switch is located in the Telephone Company central office and can be configured to process video connections to and from other channels located on the same or different customer premises. In the case of one-way transmission circuits, one transmit or one receive port of the video switch is required. For two-way transmission circuits, one transmit and one receive port are required. Each customer connected to the video switch is configured for video switching.

The video switch provides customer security within the switch, thereby preventing unauthorized access.

The switch establishes cross connections via a five digit password access code and a standard touchtone telephone located on the customer's premises. Assignment of the switch capability cross connection(s) and the customer's five digit password access code are provided by the Telephone Company. The customer must provide their own standard touchtone telephone and obtain the control circuit from the Telephone Company as a separate service.

Video switching arrangements will be provided at video central office locations specified in N.E.C.A. Tariff F.C.C. No. 4.

Video Bridging Arrangement

Video Bridging enables Video Service to be provided in a multipoint configuration.

---

ACCESS SERVICE

---

7. Special Access Service (Cont'd)

7.12 Video Special Access Service (Cont'd)

7.12.2 Optional Features and Functions (Cont'd)

MVS WDM Feature

The MVS WDM Feature provides the capability to transmit or receive two MVS video channels of two different wavelengths over a single fiber.

MVS Bridging

MVS Bridging enables the composite MVS channel to be optically split to allow one-way transmission to multiple customer designated premises.

Each of the multiple customer premises receives the same composite MVS video channel.

MVS Repeater

MVS Repeaters provide for regeneration of MVS video channels, and are required when the distance of the MVS channel is greater than the single system optical power budget.

---

**ACCESS SERVICE**

---

7. Special Access Service (Cont'd)7.12 Video Special Access Service (Cont'd)7.12.3 Technical Information

Video Services are available in accordance with the following technical specifications packages:

Service Designator	Network Channel Code	Description
TV1	TV	Broadcast quality
TV2	TW	Nonbroadcast quality
TVC	TQ	Custom packages
TV3	TZ	Private Line Video Service
TV5	TS	Video Transport Service

## ACCESS SERVICE

7. Special Access Service (Cont'd)7.12 Video Special Access Service (Cont'd)7.12.3 Technical Information (Cont'd)

Video Service shall be ordered with the following network channel interface(NCI) codes at the point of termination:

<u>Channel Interface</u>	<u>Audio Channels</u>		
	<u>Quantity</u>	<u>Bandwidth</u>	<u>Provision Method</u>
2TV6-0	0	N/A	N/A
2TV6-1	1	15 KHz	Diplexed
2TV6-2	2	15 KHz	Diplexed
2TV6-4	4	15 KHz	Diplexed
2TV6-6	3	15 KHz	Diplexed
2TV7-1	1	15 KHz	Diplexed
2TV7-2	2	15 KHz	Diplexed
2DS6-44A	1-4	5-20 KHz	Diplexed/Separate
4TV6-5	1-2	5 KHz	Separate
4TV6-15A	1-4	15 KHz	Separate
4TV6-20	1-4	20 KHz	Separate
4TV7-5	1-2	5 KHz	Separate
6TV6-5	1-2	5 KHz	Separate
6TV6-15A	1-4	15 KHz	Separate
6TV7-5	1-2	5 KHz	Separate
4TV6-15	1-2	15 KHz	Separate
4TV7-15	1-2	15 KHz	Separate
6TV6-15	1-2	15 KHz	Separate
6TV7-15	1-2	15 KHz	Separate
8TV6-15A	1-4	15 KHz	Separate
8TV6-20	1-4	20 KHz	Separate
10TV6-15A	4	15 KHz	Separate
10TV6-20	1-4	20 KHz	Separate
02WVF-L	1	5-20 KHz	Combined
04WVF-L	1	5-20 KHz	Separate
06WVF-L	2	5-20 KHz	Separate
08WVF-L	3	5-20 KHz	Separate
10WVF-L	4	5-20 KHz	Separate
02WVF	0	N/A	N/A

ACCESS SERVICE

7. Special Access Service (Cont'd)

7.12 Video Special Access Service (Cont'd)

7.12.3 Technical Information (Cont'd)

Video Service NCI code translation information follows:

Wires		Signaling		
Code	No.	Code	Option	Description
02	2	TV		Television interfaces
04	4		0	Video Only
06	6		1	Video and one audio signal combined (diplexed)
08	08		2	Video and two audio signals combined (diplexed)
10	10		4	Combined Video and four 15-kHz audio signals combined (diplexed)
			5	Video plus one or two (2-wire) 5-KHz audio signal(s)(separate)
			6	Video and three 15-khz audio signals combined (diplexed)
			15	Video plus one or two 15-KHz audio signal(s)(separate)
			15A	Video plus one through four 15-kHz audio signals(separate)
			20	Video plus one, two, three or
			44A	20 kHz audio signals (separate) One-way 45 Mb/s digital handoff. One to four 5-20 Khz audio signals combined (diplexed)/separate

Video Service technical specifications, transmission parameters, and compatible NCI codes are set forth in Technical Reference TR-TSV-000338

7.12.4 Reserved

---

ACCESS SERVICE

---

7. Special Access Service (Cont'd)

7.12 Video Special Access Service (Cont'd)

---

ACCESS SERVICE

---

- 7. Special Access Service (Cont'd)
  - 7.12 Video Special Access Service (Cont'd)
  
  - 7.13 RESERVED for FUTURE USE
  - 7.14 RESERVED for FUTURE USE

(



ACCESS SERVICE

---

7. Special Access Service (Cont'd)

7.15 Digital Data Special Access Service

7.15.1 Basic Service Description

Digital Data Service provides a channel for duplex four-wire transmission of serial synchronous data with timing provided by the Telephone Company on the received bit stream. The actual bit rate is a function of the channel interface selected by the customer.

Digital Data Service is available via designated Telephone Company Hub locations only and is provided between customer premises or between a customer premises and a designated Telephone Company Hub location.

7.15.2 Technical Information

The Telephone Company will provide a channel capable of meeting a monthly average performance equal to or greater than 99.875% error-free seconds while in service, if measured through a channel service unit (CSU) which is designed, manufactured and maintained in conformance with the specifications contained in Technical Reference TR-NPL-000341.

The customer may provide the CSU equipment or other Network Channel Terminating Equipment (NCTE) associated with the Digital Data Service at the customer premises. The interim program for interconnection of such equipment is set forth in Technical Reference PUB AS No. 1.

Digital Data Service is available in accordance with the following technical specifications packages:

<u>Service Designator</u>	<u>Network Channel Code</u>	<u>Description (bit Rate)</u>
DA1	XA	2.4 kbps
DA2	XB	4.8 kbps
DA3	XG	9.6 kbps
DA4	XH	56.0 kbps
DA6	XD	64.0 kbps

ACCESS SERVICE

---

7. Special Access Service (Cont'd)

7.15 Digital Data Special Access Service (Cont'd)

7.15.2 Technical Information (Cont'd)

Digital Data Service shall be ordered with the following network channel interface (NCI) codes at the point of termination:

06DU5-24	06DU5-48	06DU5-96	06DU5-56	06DU5-64
04DU5-24	04DU5-48	04DU5-96	04DU5-56	04DU5-64
04DU5-24S	04DU5-48S	04DU5-96S	04DU5-56S	

In addition, Digital Data Service may be provided using a channelized DS1 High Capacity Service, with an NCI code as listed under DS1 containing synchronization to the digital network.

<u>Wires</u>		<u>Signaling</u>		
<u>Code</u>	<u>No.</u>	<u>Code</u>	<u>Option</u>	<u>Description</u>
04	4	DU		Digital access interface
06	6		24	2.4 kbps
			48	4.8 kbps
			96	9.6 kbps
			56	56.0 kbps
			64	64.0 kbps
			24S	2.4 kbps with secondary channel
			48S	4.8 kbps with secondary channel
			96S	9.6 kbps with secondary channel
			56S	56.0 kbps with secondary channel

<u>Impedance</u>	
<u>Code</u>	<u>ohms</u>
5	135
9	100

The Digital Data Service technical specifications, transmission parameters, compatible voltages, and compatible NCI codes are set forth in Technical Reference TR-NPL-000341.

---

**ACCESS SERVICE**

---

7. Special Access Service (Cont'd)7.15 Digital Data Special Access Service (Cont'd)7.15.3 Optional Features and FunctionsBridging

Bridging is available with all Digital Data technical specifications packages.

Transfer Arrangement

Provides for the transfer of one Digital Data Service to another separately rated spare or working serving which terminates at the same or different customer premises. This arrangement is available only at designated Telephone Company Hub locations. The arrangement may be (1) key activated over a separately rated Metallic Service control channel of the arrangement; or (2) dial activated using a Controller Arrangement, as set forth in Section 13. Both methods use one port of the transfer arrangement.

Secondary Channel Capability (SCC)

Provides for the flexibility of utilizing a secondary channel in conjunction with a primary DDS channel. SCC is only available at the 2.4, 4.8, 9.6 and 56 kbps speeds. The secondary and primary channels operate independently of each other, over the same facilities, and must be coterminated in common customer provided equipment. The SCC is typically used for network management applications and is offered as a two-point or multipoint service. The availability of the service is limited. The addition of the SCC option to an existing DDS service will be treated as a subsequent addition to the existing service.

---

ACCESS SERVICE

---

7. Special Access Service (Cont'd)

7.15 Digital Data Special Access Service (Cont'd)

ACCESS SERVICE

---

7. Special Access Service (Cont'd)

7.15 Digital Data Special Access Service (Cont'd)

---

ACCESS SERVICE

---

7. Special Access Service (Cont'd)

7.15 Digital Data Special Access Service (Cont'd)

---

**ACCESS SERVICE**

---

**7. Special Access Service (Cont'd)****7.16 High Capacity Special Access Service****7.16.1 Basic Service Description**

High Capacity Service provides a channel for the transmission of isochronous serial data. The actual bit rate and framing format is a function of the channel interface selected by the customer.

High Capacity Service is provided between customer premises or between a customer premises and a Telephone Company Hub location. Certain multiplexed channels of High Capacity Service as provided at, or between, Telephone Company Hub locations only.

DS1 service may also be provided as free (unframed) format. This option provides a DS1 signal with electrical characteristics identical to the framed 1.544 Mbps signals for DS1 service with B8ZS, except for the lack of an apparent frame format. This format is not compatible with Telephone Company equipment that requires framing, synchronization, error detection or control information and can only be provided where suitable equipment is available.

The customer may provide High Capacity Service Network Channel Terminating Equipment (NCTE) which is required at the customer premises. The interconnection of such equipment is set forth in Technical Reference PUB GR-342-CORE.

**7.16.1.1 Fractional DS1 Service**

A Fractional DS1 channel provides for the digital transmission of nominal 128, 256, 384, 512, 768 kbps, serial data. The actual bit rate is a function of the channel interface selected by the customer. Fractional DS1 channels are provided for two-point service between customer designated premises or between a customer designated premises and a Telephone Company Digital Hub. Rates for Fractional DS1 Service can be found in Section 7.16.4.

When a single Fractional DS1 channel is ordered to be terminated at a customer's designated POP, which requires a minimum digital interface level at 1.544 Mbps, the Telephone Company will provide the required interface where facilities are available.

---

 ACCESS SERVICE
 

---

7. Special Access Service (Cont'd)7.16 High Capacity Special Access Service (Cont'd)7.16.1.1 Fractional DS1 Service (Cont'd)

Fractional DS1 service is offered only where equipment and facilities are available. Fractional DS1 service is provisioned from specific wire centers which are listed in the National Exchange Carrier Association, Inc. Tariff FCC No. 4. Availability is not restricted to customers serviced by the wire centers listed in FCC No. 4, but the service must be routed through the designated offices in FCC No. 4. Mileage, as defined in 2.11.4 (B) (Distance Sensitive Rates) will apply.

It is the customer's responsibility to arrange for the Channel Service Unit-type equipment or other Network Channel Terminating Equipment associated with the Fractional DS1 channel at the customer premises.

Rates and charges for Fractional DS1 Service can be found in Section 7.16.4 following.

Technical Specifications Package HC1 will apply for all speeds of Fractional DS1 Service.

A Fractional DS1 channel with Technical Specifications Package HC1 will be capable of an error-free second performance of 98.75% over a continuous 24 hour period as measured at the 1.544 Mbps rate through a Channel Service Unit equivalent which is designed, manufactured, and maintained to conform with the specifications contained in the Technical Reference for High Capacity Service.

Channel Interfaces (CI)

The following channel interfaces define the bit rates that are available for a Fractional DS1 channel:

<u>CI</u>	<u>Bit Rate</u>
DS-1S	128, 256, 384, 512, 768 kbps



---

ACCESS SERVICE

---

7. Special Access Service (Cont'd)

7.16 High Capacity Special Access Service (Cont'd)

7.16.2 Technical Information

An HC1 Service will be capable of an error-free second performance of 98.75% over a continuous 24 hour period as measured at the DS1 bit rate through a Channel Service Unit (CSU) designed, manufactured and maintained in conformance with the specifications in Technical Reference PUB 62411.

44.736 Mbps High Capacity Service is usually provided as follows:

- On digital optical equipment and lightwave facilities selected by the Telephone Company, and it is provided only through serving wire centers equipped to furnish such service.
- It is the responsibility of the customer (or any other party in interest, such as the applicant for service or the owner or operator of the premises or the builder) to provide in a manner satisfactory to the Telephone Company, and without cost to the Telephone Company: a means of entrance for the fiber optic cable into the building, space for mounting the necessary terminals and equipment, and, where required, to supply a means to reach each floor and each suite or office on each floor where service is desired. In addition, a suitable AC source must be provided in the customer equipment location.
- 44.736 Mbps High Capacity Service technical parameters are set forth in Technical Reference PUB GR-342-CORE.

The technical specifications for High Capacity Service provided to an Expanded Interconnection Location are delineated in Technical Reference Publication GR-63-CORE.

ACCESS SERVICE

7. Special Access Service (Cont'd)

7.16 High Capacity Special Access Service (Cont'd)

7.16.2 Technical Information (Cont'd)

High Capacity Service is available in accordance with the following predefined technical specifications packages:

<u>Service Designator</u>	<u>Network Channel Code</u>	<u>Description (bandwidth)</u>
DA1	XA	2.4 kbps
HC0	HS	64 kbps (DS0)
	HX	128, 256, 384 Kbps
HC1	HC	1.544 Mbps (DS1)
HC1C	HD	3.152 Mbps (DS1C)
HC2	HE	6.312 Mbps (DS2)
HC3	HF	44.736 Mbps (DS3)
HC4	HG	274.176 Mbps (DS4)

High Capacity Service shall be ordered with the following network channel interface (NCI) codes at the point of termination:

04DU9-BN	04DU9-DN	04DU9-1KN	04DU9-1SN	04DS9-15
04DS9-15B	04DS9-15J	04DS9-1K	04DS9-1S	04DU9-AN
04DS9-31	04DS0-63	04DS6-44	04DS6-27	04S0F-B
04ST6-A	04CM6-1	04CM6-3	04CM6-C3	04CM6-S

The High Capacity NCI code translation information follows:

<u>Wires</u>		<u>Impedance</u>	
<u>Code</u>	<u>No.</u>	<u>Code</u>	<u>ohms</u>
02	2	0	110
04	4	6	75
06	6	9	100

**ACCESS SERVICE**

7. Special Access Service (Cont'd)

7.16 High Capacity Special Access Service (Cont'd)

7.16.2 Technical Information (Cont'd)

		<b>Signaling</b>	
<u>Code</u>	<u>Option</u>		<u>Description</u>
DS	O		DSO level to Digital Switch Digital hierarchy interface
	15		1.544 Mbps (DS1) with superframe format (SF)
	15B		1.544 Mbps (DS1) Superframe (SF) format and B8ZS CCC
	15J		1.544 Mbps (DS1) with free (unframed) format (only available on a special case basis)
	1K		1.544 mbps (DS1) "ANSI" Extended Super Frame (ESF) format
	1S		1.544 Mbps (DS1) "ANSI" Extended Super Frame (ESF) format and B8ZS CCC
CM			SONET ADM Termination
	1		DS1 low speed port termination
	3		DS3 middle speed port termination
	C3		OC3 middle speed port termination
	S		STS1 middle speed port termination
SO			SONET Optical
ST			Synchronous Transmission Signal (STS)
DS	27		274.176 Mbps (DS4)
	31		3.152 Mbps (DS1C)
	44		44.736 Mbps (DS3)
	63		6.312 Mbps (DS2)
DU			Digital access interface
	AN		1.544 Mbps (DS1) free (unframed) format (only available on a special case basis), without line power (N)
	BN		1.544 Mbps (DS1) Superframe (SF) format per GR-54-CORE and without line power
	DN		1.544 Mbps (DS1) Superframe (SF) format per GR-54-CORE with B8ZS CCC and without line power
	1KN		1.544 Mbps (DS1) "ANSI" Extended Superframe (ESF) format without line power
1SN		1.544 Mbps (DS1) "ANSI" Entended Superframe (ESF) and B8ZS CCC without line power	

The High Capacity Service technical specifications, transmission parameters, compatible voltages, and compatible NCI codes are set forth in Technical Reference TR-INS-000342.

---

 ACCESS SERVICE
 

---

7. Special Access Service (Cont'd)7.16 High Capacity Special Access Service (Cont'd)7.16.3 Optional Features and FunctionsMultiplexing

These arrangements use digital time division multiplexing at a Telephone Company Hub location:

<u>DS4 to DS1</u>	-	Converts a DS4 channel to 168 DS1 channels.
<u>DS3 to DS1</u>	-	Converts a DS3 channel to 28 DS1 channels.*
<u>DS2 to DS1</u>	-	Converts a DS2 channel to four DS1 channels.
<u>DS1C to DS1</u>	-	Converts a DS1C channel to two DS1 channels.
<u>DS1 to Voice</u>	-	Converts a DS1 channel to 24 channels suitable for Voice Grade, WATS Access Line, Digital Data, or Program Audio Service.**

\* A DS1 channel slot of the DS3-DS1 multiplexing arrangement may be used to provision Fractional DS1 service. Fractional DS1 rates will apply from the Telephone Company hub location providing the multiplexing function to the customer premises.

\*\* Fractional DS1 service may be provisioned on a multiplexed DS1 service if the required capacity exists on contiguous spare channels of the DS1 service. The DS1 service must have B8ZS Clear Channel Capability. The customer must provide the Connecting Facility Assignments (CFA) on the Access Service Request (ASR) for the Fractional DS1 service. Fractional DS1 rates will apply from the Telephone Company hub location providing the multiplexing function to the customer premises.

If an existing DS1 service is multiplexed utilizing D4 channel bank equipment, it is incompatible with Fractional DS1 service provisioning. If the customer desires to use such an existing DS1 service to provision Fractional DS1 service, a DS1 rearrangement charge will apply (as specified in 2.11.5) to rearrange the DS1 to central office equipment which is compatible with Fractional DS1 provisioning.

---

ACCESS SERVICE

---

7. Special Access Service (Cont'd)

7.16 High Capacity Special Access Service (Cont'd)

7.16.3 Optional Features and Functions (Cont'd)

Multiplexing (Cont'd)

DS1 to DS0 - Converts a DS1 channel to a maximum of 24 DS0 (64.0 kbps) channels to connect to other such channels at the same or different designated Telephone Company Digital Hub. The actual number of DS0 channels is a function of the facility utilized to provide service. The customer must provide digital transmission system and channel assignment data for such applications.

DS0 to Subrate - Converts a DS0 channel to subrate channels (twenty 2.4 kbps, ten 4.8 kbps, or five 9.6 kbps) to connect to other such channels at the same or different designated Telephone Company Digital Hub. The customer must provide system and channel assignment data for such applications.

ACCESS SERVICE

7. Special Access Service (Cont'd)

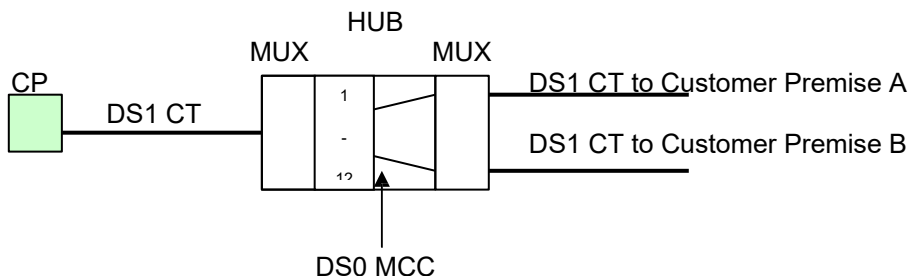
7.16 High Capacity Special Access Service (Cont'd)

7.16.3 Optional Features and Functions (Cont'd)

Multiplexing (Cont'd)

Multiplexer Cross-Connection (MCC) – DS0 to DS0

The Multiplexer Cross-Connection (MCC) function provides for the connection of two digital services of the same bit rate at the Telephone Company Hub locations. This allows one channel of a multiplexed DS1 to cross-connect to a channel of another multiplexed DS1. The MCC must connect two channels of the same speed and like signaling at designated Telephone Company Hub locations.



- CT - Channel Termination
- MUX - Multiplexer
- DS0 MCC - DS0 Multiplexer Cross-Connection

DS0 MCC will be provided at Telephone Company locations where DS1 multiplexing is performed. MCC will be charged per cross-connect per central office, where the cross-connection is performed. If MCC is provided between two Telephone Company offices where DS1 multiplexing is performed, Channel Mileage (Fixed and Per Mile) for the lower speed DS0 service will apply between the two central offices along with one MCC charge per cross-connect per central office.

When one DS0 service is cross-connected to another DS0 service, the two cross-connected services are treated separately for service performance measurement and service interruption credit purposes. If two customers are involved, one customer will be responsible for the entire billing of MCC. The customer must provide the channel assignment information for the DS0 channels: Connecting Facility Assignment (CFA) and the Secondary Connecting Facility Assignment (SCFA).

---

**ACCESS SERVICE**

---

7. Special Access Service (Cont'd)7.16 High Capacity Special Access Service (Cont'd)7.16.3 Optional Features and Functions (Cont'd)Network Reconfiguration Service (NRS)

An arrangement that provides the customer the ability to control the reconfiguration of their Special Access services (digital or analog) on a near real-time basis by means of the special provisioning of these services through a Digital Crossconnect Device (DCD). NRS can accommodate the termination and reconfiguration of circuits up to the 56.0 Kbps and 1.544 Mbps signal levels. The reconfiguration of services is accomplished at the DSO level. Customer access to the reconfiguration capability is accomplished through a Network Controller and is on the basis of either a local telephone company dial-up or dedicated facility arrangement.

The DCDs are located in specific Telephone Company serving wire centers, and are connected to a centralized Network Controller. Therefore, NRS is available only from selected serving wire centers.

Clear Channel Capability (CCC)

- (a) CCC is an arrangement that allows a customer to transport 1.536 Mbps information rate signals over a 1.544 Mbps High Capacity channel with no constraint on the quantity or sequence of ones (mark) and zero (space) bits. This arrangement requires the customer signal at the channel interface to conform to Bipolar with Eight Zero Substitution (B8ZS) line code as described in Technical Reference TR-NPL-000054 and TR-INS-000342.
  - (b) CCC is provided on 1.544 Mbps High Capacity channels between two customer designated premises or between a customer designated premises and a Telephone Company multiplexing hub and is subject to the availability of facilities.
  - (c) The optional feature may be ordered at the same time the High Capacity service is ordered or it may be ordered as an addition to an existing High Capacity service. Customers must agree to out-of-service periods required to add this feature to an existing High Capacity service.
-

---

**ACCESS SERVICE**

---

7. Special Access Service (Cont'd)7.16 High Capacity Special Access Service (Cont'd)7.16.3 Optional Features and Functions (Cont'd)Shared Network Arrangement<sup>(1)</sup>

A Shared Network Arrangement is a service offering that enables a customer (the "Service User") to connect subtending services to a Telephone Company multiplexed Special Access DS3 or DS1 service of another customer (the "Host Subscriber"). The Telephone Company will maintain separate records and billing for each customer. Each customer will be billed for those rate elements associated with their own portion of the service configuration. Under no circumstances will the rates or charges for individual rate elements be split. This offering is limited to service configurations where a Service User obtains either subtending Voice Grade Special Access or Digital Data Special Access circuits from a Host's multiplexed DS1 service, or Special Access DS1 or Fractional DS1 circuits from a Host's multiplexed DS3 service.

Under the Shared Network Arrangement, the Telephone Company may share record information with the Host Subscriber pertaining to the services of other users of the shared network. Such disclosure will be under the sole discretion of the Telephone Company as is necessary to perform billing reconciliations and/or other functions required in connection with maintaining account records.

Each customer entering into a Shared Network Arrangement is solely responsible to the Telephone Company for charges associated with that customer's portion of the shared network. Disconnection of service by the Host Subscriber does not relieve another user of the network of any obligation to pay access charges associated with the portion of the shared network to which that user subscribes. Billing for services and facilities will continue until a disconnect request from the Service User has been received by the Telephone Company. The Host Subscriber is solely responsible for notifying the connecting Service User in the event of disconnection of the Host service which affects that portion of the shared network service to which the Service User has subscribed.

<sup>(1)</sup> Effective 05/26/06, this regulation is limited to existing customers. For new customers purchasing Shared Network Arrangement, terms and conditions set forth in Section 5.6.15 will apply.



---

ACCESS SERVICE

---

7. Special Access Service (Cont'd)

7.16 High Capacity Special Access Service (Cont'd)

7.16.3 Optional Features and Functions (Cont'd)

Shared Network Arrangement<sup>(1)</sup> (Cont'd)

For administrative purposes, one "Arrangement" under the Shared Network Arrangement offering shall be limited to the agreement between one Host Subscriber and one Service User permitting the Service User to connect a specified number of subtending circuits to one specified multiplexer on the Host's service. Agreements between one Host Subscriber and two (or three, etc.) Service Users shall be deemed to comprise two (or three, etc., respectively) separate "Arrangements." However, an agreement to expand the scope of an existing Arrangement by subsequently increasing the number of subtending circuits on the same multiplexer shall not constitute a new or separate "Arrangement."

Shared Network Arrangement will not apply to Packet Switched Data Network Service (PSDN) as described in Section 19.

A Shared Network Arrangement shall be established between a Host Subscriber and a Service User upon the completion of the service order for the first circuit(s) in the arrangement. No Shared Network Arrangement shall be deemed to be in effect until at least one subtending circuit has been installed for the Service User. A Shared Network Arrangement shall be deemed canceled when the last subtending circuit has been disconnected.

A Processing Charge will apply for handling each service order in a Shared Network Arrangement when a Service User orders a subtending circuit(s) to be connected to a Host Subscriber's multiplexed service. The Processing Charge is contained in Section 7.16.4(C) and applies in addition to all other applicable rates and charges.

<sup>(1)</sup> Effective 05/26/06, this regulation is limited to existing customers. For new customers purchasing Shared Network Arrangement, terms and conditions set forth in Section 5.6.15 will apply.

ACCESS SERVICE

---

7. Special Access Service (Cont'd)

7.16 High Capacity Special Access Service (Cont'd)

7.16.3 Optional Features and Functions (Cont'd)

Enhanced Access Diversity (EAD)

Enhanced Access Diversity (EAD) is an optional feature of DS1 and DS3 service which provides a choice of three levels of diversity. Diversity is provided on transmission facilities for two or more DS1 or DS3 services over two different physical routes. Customers subscribing to the EAD option will be provided a report on a quarterly basis which identifies the routing of each service in the diverse grouping. EAD is offered using existing physically diverse facilities. If diverse facilities are not available, EAD may be provided pursuant to the Telephone company's Special Construction Tariff F.C.C. No. 35.

The customer must identify the services which will be diverse when placing orders for EAD. The customer must also provide all appropriate connecting facility assignments (CFA) and any other pertinent information which will allow the Telephone Company to provide and maintain EAD. EAD is provided on a per DS1 or DS3 basis only, and the rates for EAD are in addition to the rates for DS1 and DS3 Special Access service.

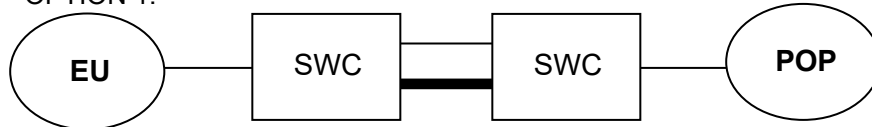
The three levels of diversity offered are described below:

Option 1

Option 1 provides interoffice facility diversity between serving wire centers only. This offering utilizes existing physically diverse interoffice facilities, excluding equipment and facilities located in a serving wire center extending to the first manhole located outside the serving wire center.

Example:

OPTION 1:



**————** = Diverse Route  
 ———— = Normal Route

---

**ACCESS SERVICE**

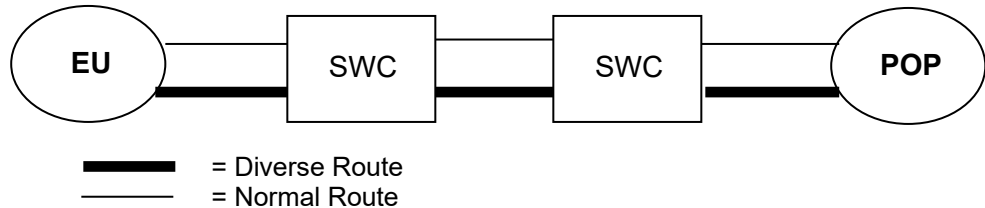
---

7. Special Access Service (Cont'd)7.16 High Capacity Special Access Service (Cont'd)7.16.3 Optional Features and Functions (Cont'd)Enhanced Access Diversity (EAD) (Cont'd)Option 2

Option 2 provides local loop and interoffice facility diversity between serving wire centers. This offering utilizes existing physically diverse local loop and interoffice facilities, excluding equipment and facilities located in a serving wire center extending to the first manhole outside the serving wire center, or from the point of termination to the first manhole outside the customer premises. This option provides diversity between two customer premises or between a customer premises and a Telephone Company Hub.

Example:

OPTION 2:



ACCESS SERVICE

---

7. Special Access Service (Cont'd)

7.16 High Capacity Special Access Service (Cont'd)

7.16.3 Optional Features and Functions (Cont'd)

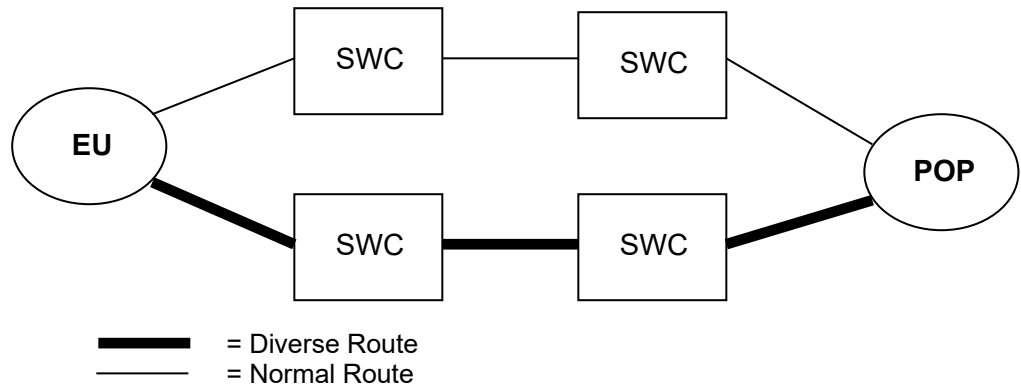
Enhanced Access Diversity (EAD) (Cont'd)

Option 3

Option 3 provides end-to-end diversity, including local loop and interoffice facilities. In this offering diverse local loop facilities from the customer's premises to a wire center other than the customer's normal serving wire center must already exist. Existing diverse interoffice facilities must also be available between the serving wire centers. Interoffice mileage will be charged between the serving wire centers where the local loops actually terminate. This option provides diversity between two customer premises or between a customer premises and a Telephone Company Hub.

Example:

OPTION 3:



**ACCESS SERVICE**

---

7. Special Access Service (Cont'd)

7.16 High Capacity Special Access Service (Cont'd)

7.16.3 Optional Features and Functions (Cont'd)

The following table shows the optional features and functions availability (A) for High Capacity Service:

	<u>HC0</u>	<u>HC1</u>	<u>HC1C</u>	<u>HC2</u>	<u>HC3</u>	<u>HC4</u>
Central Office Multiplexing						
DS4 to DS1	-	-	-	-	-	A
DS3 to DS1	-	-	-	-	A	-
DS2 to DS1	-	-	-	A	-	-
DS1C to DS1	-	-	A	-	-	-
DS1 to Voice	-	A	-	-	-	-
DS1 to DS0	-	A	-	-	-	-
DS0 to Subrate*	A	-	-	-	-	-
<u>Network Reconfiguration Service</u>	A	A	A	A	A	A
<u>Clear Channel Capability (B8ZS)</u>	-	A	-	-	-	-
<u>Shared Network Arrangement</u>	-	A	-	-	A	-
<u>Enhanced Access Diversity (EAD)</u>	-	A	-	-	A	-

\* Available only on a channel of a 1.544 Mbps facility to a Telephone Company Hub.

---

 ACCESS SERVICE
 

---

7. Special Access Service (Cont'd)7.16 High Capacity Special Access Service (Cont'd)7.16.4 Rates and Charges # (C)General Description

This section contains the specific regulations governing the rates and charges, which apply to High Capacity Services.

DS3 High Capacity Service is available under a month-to-month, one, three or five-year billing period as described following.

DS1 and DS3 Services are subject to zone pricing. Rates for three rate zones have been established pursuant to the Federal Communications Commission's Report and Order in the Matter of Expanded Interconnection with Local Telephone Company Facilities, CC Docket No. 91-141, adopted September 17, 1992 and released October 17, 1992.

Each Central Office has been assigned to one of three pricing zones. The pricing zone for each central office is identified in NECA FCC Tariff No. 4.

(1) DS3 High Capacity Service Rate Description # (D)DS3 High Capacity Service Billing Period

The billing period establishes the amount of time that rates for a service are stabilized by the Telephone Company.

The following billing periods are available for DS3 High Capacity Services and associated optional features and functions:

- Month-to-Month # (C)
- Monthly Extension Rates # - Not Available (C)
- 1 Year # (C)
- 3 Year # (C)
- 5 Year # (C)

# Effective November 19, 2021, Optional Payment Plans (OPPs) are no longer permitted. Optional Payment Plans in effect as of November 19, 2021 may continue the existing term but will not be eligible to extend, renew, reenroll in, convert to a new term period, or in any other way continue their existing plan beyond its current expiration. At expiration of the term the service will convert to the Month to Month rate. If at any time an existing customer terminates its Optional Payment Plan, the customer may not re-subscribe to the plan. In addition, the DS3 Month to Month rate is re-added and the DS3 Monthly Extension Rate is removed. (N)

---

---

ACCESS SERVICE

---

7. Special Access Service (Cont'd)

7.16 High Capacity Special Access Service (Cont'd)

7.16.4 Rates and Charges (Cont'd)

General Description (Cont'd)

(1) DS3 High Capacity Service Rate Description (Cont'd) #

DS3 High Capacity Service Billing Period (Cont'd)

At the expiration of the commitment period, the service will be converted to the Month to Month rate. (C)

# Service Offer is limited. See footnote on page 7-67 (N)

---

ACCESS SERVICE

---

7. Special Access Service (Cont'd)

7.16 High Capacity Special Access Service (Cont'd)

7.16.4 Rates and Charges (Cont'd)

General Description (Cont'd)

(1) DS3 High Capacity Service Rate Description (Cont'd)

DS3 High Capacity Service Billing Period (Cont'd)

An existing DS3 under a 1 or 3 year billing period may be converted to a DS3 under a longer term 3 or 5 year billing period without termination liabilities, provided that:

- (a) the expiration date for the new term agreement is beyond the end of the original term agreement,
- (b) the converted DS3 must be based upon the prevailing rates,
- (c) the customer maintains the same or greater number of DS3 circuits under the new billing period, and
- (d) No lapse in service occurs.



---

ACCESS SERVICE

---

7. Special Access Service (Cont'd)

7.16 High Capacity Special Access Service (Cont'd)

---

ACCESS SERVICE

---

7. Special Access Service (Cont'd)

7.16 High Capacity Special Access Service (Cont'd)

---

ACCESS SERVICE

---

7. Special Access Service (Cont'd)

7.16 High Capacity Special Access Service (Cont'd)

---

ACCESS SERVICE

---

7. Special Access Service (Cont'd)

7.16 High Capacity Special Access Service (Cont'd)

---

ACCESS SERVICE

---

7. Special Access Service (Cont'd)

7.16 High Capacity Special Access Service (Cont'd)

---

ACCESS SERVICE

---

7. Special Access Service (Cont'd)

7.16 High Capacity Special Access Service (Cont'd)

---

ACCESS SERVICE

---

7. Special Access Service (Cont'd)

7.16 High Capacity Special Access Service (Cont'd)

---

ACCESS SERVICE

---

7. Special Access Service (Cont'd)

7.16 High Capacity Special Access Service (Cont'd)



---

ACCESS SERVICE

---

7. Special Access Service (Cont'd)

7.16 High Capacity Special Access Service (Cont'd)

---

ACCESS SERVICE

---

7. Special Access Service (Cont'd)

7.16 High Capacity Special Access Service (Cont'd)

---

ACCESS SERVICE

---

7. Special Access Service (Cont'd)

7.16 High Capacity Special Access Service (Cont'd)

---

ACCESS SERVICE

---

7. Special Access Service (Cont'd)

7.16 High Capacity Special Access Service (Cont'd)

---

ACCESS SERVICE

---

7. Special Access Service (Cont'd)

7.16 High Capacity Special Access Service (Cont'd)

---

ACCESS SERVICE

---

7. Special Access Service (Cont'd)

7.16 High Capacity Special Access Service (Cont'd)

---

ACCESS SERVICE

---

7. Special Access Service (Cont'd)

7.16 High Capacity Special Access Service (Cont'd)

---

ACCESS SERVICE

---

7. Special Access Service (Cont'd)

7.16 High Capacity Special Access Service (Cont'd)



---

ACCESS SERVICE

---

7. Special Access Service (Cont'd)

7.16 High Capacity Special Access Service (Cont'd)

---

ACCESS SERVICE

---

7. Special Access Service (Cont'd)

7.16 High Capacity Special Access Service (Cont'd)

---

ACCESS SERVICE

---

7. Special Access Service (Cont'd)

7.16 High Capacity Special Access Service (Cont'd)

---

ACCESS SERVICE

---

7. Special Access Service (Cont'd)

7.16 High Capacity Special Access Service (Cont'd)

---

ACCESS SERVICE

---

7. Special Access Service (Cont'd)

7.16 High Capacity Special Access Service (Cont'd)

---

ACCESS SERVICE

---

7. Special Access Service (Cont'd)

7.16 High Capacity Special Access Service (Cont'd)

---

ACCESS SERVICE

---

7. Special Access Service (Cont'd)

7.16 High Capacity Special Access Service (Cont'd)

---

ACCESS SERVICE

---

7. Special Access Service (Cont'd)

7.16 High Capacity Special Access Service (Cont'd)



---

**ACCESS SERVICE**

---

**8. Testing, Maintenance, and Additional Labor Services****8.1 General**

The services provided under this Guide shall be maintained and repaired only by the Telephone Company. The customer or others may not rearrange, move, disconnect, remove or attempt to repair any facilities provided by the Telephone Company, other than by connection or disconnection of equipment or communications systems provided by the customer to the Access Service interface used, unless the Telephone Company gives its written consent.

The Telephone Company's failure to maintain services under this Guide is excused by labor difficulties, governmental orders, civil commotions, criminal actions taken against the Telephone Company, acts of God and other circumstances beyond the Telephone Company's reasonable control, subject to a Credit Allowance for a Service Interruption, as set forth in Section 2.12.

**8.1.1 Notification of Service-Affecting Activities**

The Telephone Company will provide the customer reasonable notification of service-affecting activities that may occur during the normal operation of its business. Such activities may include, but are not limited to, equipment or facility additions, removals or rearrangements, routine preventative maintenance and major switching machine change-out. Such activities affect multiple customers and services. No specific advance notification period is applicable to all service activities. The Telephone Company will work cooperatively with the customer to determine reasonable notification requirements.

**8.1.2 Network Contingency Plans**

The Telephone Company will work cooperatively with the customer to develop network contingency plans in order to maintain maximum network capability following natural or man-made disasters which affect telecommunications services. The customer shall, in cooperation with the Telephone Company, coordinate in planning the actions to be taken to maintain maximum network capability following such disasters which affect telecommunications services.

---

ACCESS SERVICE

---

8. Testing, Maintenance, and Additional Labor Services (Cont'd)

8.1 General (Cont'd)

8.1.3 Labor Sensitive Rates

When applying rates based on the number of hours worked, a Telephone Company employee's time is classified as follows:

(A) Basic Time

Applies to time worked during a normal business day, (8:00 a.m. - 5:00 p.m., Monday through Friday).

B Overtime

Applies to time worked outside of a normal business day, (Monday through Friday), and on Saturdays.

C Premium Time

Applies to time worked on Sundays and/or holidays (days observed by the Telephone Company are New Year's Day, President's Day, Good Friday, Memorial Day, Independence Day, Labor Day, Columbus Day, Thanksgiving Day, the day after Thanksgiving, and Christmas Day).

D Call-outs

A call-out of a Telephone Company employee will be charged a minimum of four (4) hours on an Overtime and/or Premium Time basis when the call-out is attributed to a customer request/problem. However, at no time will the customer be charged if trouble is found to be on the Telephone Company side of the demarcation point.

---

**ACCESS SERVICE**

---

**8. Testing, Maintenance, and Additional Labor Services (Cont'd)****8.2 Testing Services****8.2.1 Acceptance Testing**

At the customer's request and at no additional charge, the Telephone Company will cooperatively test Access Services for the parameters listed in separate subsections which follow at the time of installation. The customer may request additional acceptance testing services for additional charges.

**8.2.2 Normal Maintenance**

The Telephone Company maintains and repairs the services offered in this Guide during a normal business day at no additional charge to the customer. The customer may request maintenance outside of a normal business day for an additional charge. The Telephone Company will test its services only to the extent necessary to detect and/or clear troubles.

**8.2.3 Optional Testing Services**

The customer may order additional testing services for additional charges. The facilities to be tested shall be made available at mutually agreed upon times when a customer orders an optional testing service.

**(A) Scheduled Tests**

Scheduled tests are performed by the Telephone Company, after the initial installation, on a regular, e.g. monthly, basis. Scheduled tests may be performed: (1) cooperatively with Telephone Company technicians at Telephone Company offices working with customer technicians at the customer's premises or (2) manually with Telephone Company technicians at both the Telephone Company offices and the customer's premises. Certain Switched Access Services may also be tested on an automated basis with no Telephone Company or customer technicians involved.

There is a minimum number of scheduled tests which make up the basic offering which must be ordered by the customer. Based on the specific tests involved, a monthly charge is developed for testing service ordered by multiplying per test, per transmission path monthly rates times the number of tests ordered in a one year interval.

---

ACCESS SERVICE

---

8. Testing, Maintenance, and Additional Labor Services (Cont'd)

8.2 Testing Services (Cont'd)

8.2.3 Optional Testing Services (Con'td)

(A) Scheduled Tests (Con'td)

Example:

A customer orders 12 Loss tests, 12 Noise tests and 2 Return Loss tests on one trunk for a year. The total monthly charges are computed as follows:

$$\begin{aligned} & 12 \text{ X (Loss Test monthly rate)} \\ & + 12 \text{ X (Noise Test monthly rate)} \\ & + \underline{2 \text{ X (Return Loss monthly rate)}} \\ & = \text{Total monthly charge to test the one trunk} \end{aligned}$$

(B) Nonscheduled Tests

Nonscheduled tests are tests performed by the Telephone Company "on demand" and may involve Telephone Company technicians at both the Telephone Company's offices and the customer's premises.

8.3 RESERVED

---

ACCESS SERVICE

---

8. Testing, Maintenance, and Additional Labor Services (Cont'd)

8.4 Special Access Testing Services

8.4.1 Acceptance Testing

(A) Testing Provided at No Charge

At the customer's request and at no additional charge, the Telephone Company will cooperatively test for the following parameters at the time of installation:

- (1) Voice Grade analog services - loss, 3-tone slope, DC continuity, operational signaling, C-notched noise, and C-message noise when these parameters apply and are specified in the order for service. If the customer orders the Voice Grade improved loss optional feature, a balance (improved loss) test is also performed.
- (2) Other services - acceptance tests will include tests for the parameters applicable to the service as specified in the order for service.

At the request of a customer, the Telephone Company will provide assistance in performing specific tests requested by the customer.

ACCESS SERVICE

---

8. Testing, Maintenance, and Additional Labor Services (Cont'd)

8.4 Special Access Testing Services (Cont'd)

8.4.1 Acceptance Testing (Cont'd)

(B) Optional Additional Cooperative Acceptance Testing (ACAT)

When a customer provides a technician at its premises or at an end user's premises, with suitable test equipment to perform the requested tests, the Telephone Company will provide a technician at its office to conduct Additional Cooperative Acceptance Testing on Voice Grade Services. At the customer's request, the Telephone Company will provide a technician at the customer's premises or at the end user's premises. These tests may consist of the following:

- Attenuation Distortion (i.e., frequency response)
- Intermodulation Distortion (i.e., harmonic distortion)
- Phase Jitter
- Impulse Noise
- Envelope Delay Distortion
- Echo Control
- Frequency Shift
- etc.

<u>Work Periods</u>	<u>Half Hour or Fraction Thereof</u>	
	<u>First</u>	<u>Additional</u>
Basic Time	\$300.00	\$115.00
Overtime	\$60.00	\$140.00
Premium Time	\$75.00	\$170.00

---

 ACCESS SERVICE
 

---

8. Testing, Maintenance, and Additional Labor Services (Cont'd)8.4 Special Access Testing Services (Cont'd)8.4.2 Nonscheduled Testing

When a customer provides a technician with suitable test equipment to perform the requested tests, the Telephone Company will provide a technician to conduct Additional Cooperative Acceptance Testing.

<u>Work Periods</u>	<u>Half Hour or Fraction Thereof</u>	
	<u>First</u>	<u>Additional</u>
Basic Time	\$52.18	\$26.37
Overtime	\$55.99	\$30.73
Premium Time	\$59.58	\$34.29

8.5 Maintenance of Service Charge

The charges for Maintenance of Service are deregulated. Customers may contact their Telephone Company business office for additional information.

ACCESS SERVICE

---

8. Testing, Maintenance, and Additional Labor Services (Cont'd)

8.6 Additional Engineering and Labor Services

8.6.1 Additional Engineering Service

Additional Engineering will be provided by the Telephone Company at the request of the customer only when:

- (A) A customer requests additional technical information after the Telephone Company has already provided the technical information normally included on the Design Layout Report (DLR) as set forth in Section 5.
- (B) Additional engineering time is incurred by the Telephone Company to engineer a customer's request for a customized Special Access Service as set forth in Section 7.2.

When Additional Engineering charges are determined to apply, the customer is given a written estimate of the charges and a statement setting forth the justification, if warranted, for the Additional Engineering. If the customer agrees to the Additional Engineering, a firm order is established. If the customer does not want the service or facilities after being notified that Additional Engineering charges will apply, the order will be withdrawn and no charges will apply. Once a firm order has been established, the total charge to the customer for the Additional Engineering may not exceed the estimated amount by more than 10%.

<u>Work Periods</u>	<u>Half Hour or Fraction Thereof</u>	
	<u>First</u>	<u>Additional</u>
Basic Time	\$62.08	\$36.00
Overtime	\$76.70	\$39.00



---

**ACCESS SERVICE**

---

**8. Testing, Maintenance, and Additional Labor Services (Cont'd)****8.6 Additional Engineering and Labor Services (Cont'd)****8.6.2 Additional Labor Service**

Additional Labor Services must be requested by the customer and agreed to by the Telephone Company. The Telephone Company will notify the customer that additional labor charges will apply before it undertakes any additional labor. Charges for additional labor will apply per order submitted. (N)

Additional Labor Charges, except as set forth in 8.6.2(B), apply on a first and additional basis for each half hour or fraction thereof.

**(A) Overtime Installation**

Applies to Telephone Company installation effort performed outside of a normal business day.

**(B) Stand by**

Applies to time more than one-quarter (1/4) hour during which Telephone Company personnel stand by at the customer's request.

**(C) Other**

- (1) Additional testing, or maintenance of facilities which connect to facilities of other Telephone Companies, in addition to the normal effort required to test, maintain facilities provided solely by the Telephone Company.
- (2) Customer requested stand by of Telephone Company personnel during the provision of Special Access Service at daily rates, e.g., during the broadcast of a televised event.
- (3) Any other labor to accommodate a specific customer request involving labor not covered by any other section of this Guide.

ACCESS SERVICE

---

8. Testing, Maintenance, and Additional Labor Services (Cont'd)

8.6 Additional Engineering and Labor Services (Cont'd)

8.6.2 Additional Labor Service (Cont'd)

(D) Hourly Rates

<u>Installation</u>	<u>Half Hour or Fraction Thereof</u>	
	<u>First</u>	<u>Additional</u>
Overtime -per technician	\$250.00	\$300.00
Premium Time -per technician	\$300.00	\$250.00
Other Basic Time -per technician	\$250.00	\$250.00
Overtime -per technician	\$250.00	\$300.00
Premium Time -per technician	\$300.00	\$250.00
Stand By	<u>First Quarter Hour</u>	<u>Each Additional Half Hour or Fraction Thereof</u>
Basic Time -per technician	None	\$55.00
Overtime -per technician	None	\$80.00
Premium Time -per technician	None	\$90.00

---

---

ACCESS SERVICE

---

9. RESERVED

---

ACCESS SERVICE

---

10. RESERVED

---

**ACCESS SERVICE**

---

**11. Special Facilities Routing of Access Services****11.1 General**

The services provided under this Guide are normally provided over such routes and facilities as the Telephone Company may elect. Special Facilities Routing is involved when, in order to comply with requirements specified by the customer, the Telephone Company provides Special Access Service, or Arrangements in a manner which includes one or more of the following conditions:

**11.1.1 Diversity**

Two or more services, or portions thereof, must be provided over not more than two different physical routes, e.g., physical geographical routes, separate cable sheaths, different carrier transmission systems, different microwave systems, etc.

**11.1.2 Avoidance**

A service must be provided on a route which avoids specified geographical locations.

Note: Avoidance and Diversity are available on Special Access Services.

Enhanced Access Diversity is provided for DS1 and DS3 services as specified in Section 7.16.3.

**11.1.3 Cable-Only Facilities**

Certain Voice Grade services are provided on Cable-Only Facilities to meet the particular needs of a customer. Service is provided subject to the availability of Cable-Only Facilities. In the event of service failure, restoration will be made through the use of any available facilities as selected by the Telephone Company.

Note: Cable-Only Facilities are available for Voice Grade Special Access Services.

---

ACCESS SERVICE

---

11. Special Facilities Routing of Access Services (Cont'd)

11.1 General (Cont'd)

In order to avoid the compromise of Special Facilities Routing information, the Telephone Company will provide the required routing information for each specially routed service to only the ordering customer. If requested by the customer, this information will be provided when service is installed and prior to any subsequent changes in routing.

The rates and charges for Special Facilities Routing of Access Services set forth in Section 11.2 are in addition to all other rates and charges that may be applicable for services provided under other sections of this Guide.

The offering of Special Facilities Routing of Access Services contemplates the use of existing facilities. Should facilities not be available, it may be necessary to construct facilities either as (A) normal facilities, or (B) as specially constructed facilities in accordance with the regulations in the Telephone Company's Special Construction Tariff. In the latter case, the entire individual case basis filing shall be filed in Section 11.2 and will include both the rates and charges associated with Special Facilities Routing of Access Services and the applicable Special Construction rates, charges and liabilities.

---

ACCESS SERVICE

---

11. Special Facilities Routing of Access Services (Cont'd)

11.2 Rates and Charges

The rates and charges for Special Facilities Routing of Access Services are developed on an individual case basis and are filed following:

11.2.1 Diversity

For each service provided in accordance with 11.1 preceding, the rates and charges will be developed on an individual case basis and filed following:

---

ACCESS SERVICE

---

11. Special Facilities Routing of Access Services (Cont'd)

11.2 Rates and Charges (Cont'd)

11.2.2 Avoidance

For each service provided in accordance with 11.1 preceding, the rates and charges will be developed on an individual case basis and filed following:



---

ACCESS SERVICE

---

11. Special Facilities Routing of Access Services (Cont'd)

11.2 Rates and Charges (Cont'd)

11.2.3 Diversity and Avoidance Combined

For each service provided in accordance with 11.1 preceding, the rates and charges will be developed on an individual case basis and filed following:

---

ACCESS SERVICE

---

11. Special Facilities Routing of Access Services (Cont'd)

11.2 Rates and Charges (Cont'd)

11.2.4 Cable-Only Facilities

For each service provided in accordance with 11.1 preceding, the rates and charges will be developed on an individual case basis and filed following:

---

**ACCESS SERVICE**

---

**12. Specialized Services****12.1 General**

Specialized Services may be provided by the Telephone Company, at the request of a customer, on an individual case basis if such services meet the following criteria:

- (A) The requested service is not offered under other sections of this Guide.
- (B) The facilities required to provide the requested service are of a type normally used by the Telephone Company in furnishing its other services.
- (C) The requested service is provided within a single LATA.
- (D) The requested service is compatible with other Telephone Company services, facilities, and engineering and maintenance practices.
- (E) The necessary Telephone Company personnel and capital resources are available to provide the requested service.

**12.2 Rates and Charges**

Rates and Charges, and additional regulations if applicable, for Specialized Services are provided on an individual case basis.

ACCESS SERVICE

---

13. Miscellaneous Services

13.1 Provision of Access Service Billing Information

13.1.1 Access Service Billing Information Options

The customer may receive its primary monthly access service bills in standard format on paper or, if requested by the customer, in any of the following formats in lieu of paper at no additional charge.

- (A) Primary monthly access service bills may be provided on magnetic tape.
- (B) Primary monthly access service bills may be provided to the customer premises by electronic data transmission.

Upon acceptance of an order for electronic data transmission, the Telephone Company will determine the period of time to implement the transmission of such material on an individual order basis.

- (C) An abbreviated bill in paper format will be provided at no charge when the customer's access bill is provided in other than paper format.
- (D) At the request of the customer and for an additional charge as set forth in 13.1.2 following, the customer may be provided with an additional copy of the access service bill.

13.1.2 Rates and Charges

The rates and charges for the provision of additional copies of the customer's monthly access service bill are as follows:

	<u>Rates</u>	<u>Nonrecurring Charge</u>
(A) Additional copies of the customer's monthly bill or service features record in magnetic tape format,		
- per record	\$0.0001	
- per tape	\$44.32	N/A

ACCESS SERVICE

---

13. Miscellaneous Services (Cont'd)

13.1 Provision of Access Service Billing Information (Cont'd)

13.1.2 Rates and Charges (Cont'd)

The rates and charges for the provision of additional copies of the customer's monthly access service bill are as follows:

	<u>Rates</u>	<u>Nonrecurring Charge</u>
(B) Additional copies of the customer's monthly bill or service features record via electronic data transmission, - per record transmitted using the T-Tran system	ICB	ICB
- per record transmitted using the Network Data Mover (NDM) system	\$0.0009	N/A
(C) Additional Copies of the customer's monthly bill or service and features record in standard paper format - per page	\$0.06	
- per customer request	\$4.55	

13.2 Controller Arrangement

This arrangement enables the customer to control up to 48 transfer functions at a Telephone Company central office via a CPE remote keyboard terminal. The Controller Arrangement must be located in the same Telephone Company central office as the transfer functions which it controls.

Transfer Arrangements for the service(s) being transferred, e.g., Voice Grade, Wideband and Digital Data Special Access Service, are required in addition to the Controller Arrangement in order to obtain a complete operational service.

A dial-up data station located at the central office is included as part of the Controller Agreement to provide access to the Controller Arrangement. The dial-up data station consists of a data set and an appropriate Telephone Company provided intrabuilding channel. The arrangement is capable of either 300 or 1200 bps operation.

	<u>Monthly Rate</u>
Controller Arrangement, each	ICB rates and charges apply

ACCESS SERVICE

---

13. Miscellaneous Services (Cont'd)

13.3 Standard Jacks

Standard jacks are provided by the Telephone Company to connect Registered Equipment to those services subject to the Registration Program as set forth in Technical Reference Publication AS No. 1. The use of jacks is covered in Part 68 of the FCC's Rules and Regulations. Specific jacks are described in the document on file with the FCC entitled "Descriptions of Standard Registration Program Connection Configurations Supplementing Configurations Described in Subpart F of Part 68 of the FCC's Rules and Regulations."

Standard jacks are also provided by the Telephone Company to connect equipment to those services not subject to the Registration Program as set forth in Part 68 of the FCC's Rules and Regulations.

These jacks are used to terminate services provided by the Telephone Company. Other services or facilities provided by the Telephone Company or by others may also be terminated in any spare capacity of the jacks remaining after installation without additional charge for the use of such capacity.

The nonrecurring charges, which include installation, for standard jacks and their typical uses are set forth following:

13.3.1 Standard Voice Jacks

	<u>USOC</u>	<u>Nonrecurring Charge</u>
(A). Miniature Six-Position Jacks		
(1) Single line bridged 4-wire exchange. (T/R, T1, R1)	RJ1DC	\$5.33
(2) Single line 2-wire, surface. (T/R)	RJ11C	\$5.48
(3) Single line, 2-wire, wall. (T/R)	RJ11W	\$11.01
(4) Two line, 2-wire, surface. (T1/R1, T2/R2)	RT14C	\$6.31
(5) Two line 2-wire, wall. (T1/R1, T2/R2)	RJ14W	\$11.50
(6) Two line, 2-wire, sliding cover. (T1/R2, T2/R2, T2)	RJ14X	\$12.70

## ACCESS SERVICE

13. Miscellaneous Services (Cont'd)13.3 Standard Jacks (Cont'd)13.3.1 Standard Voice Jacks (Cont'd)

	<u>USOC</u>	<u>Nonrecurring Charge</u>
(A). Miniature Six-Position Jacks (Cont'd)		
(7) Single line, 2-wire 9.0 db Data, with Mode Indication leads. (T/R, M1/M1C)	RJ16X	\$11.21
(8) Single line, 2-wire special, for hospital use. (T/R)	RJ17C	\$11.23
(9) Single line, 2-wire with Make Busy leads surface. (T/R, MB/MB1)	RJ18C	\$12.70
(10) Single line, 2-wire, with Make Busy leads wall. (T/R, MB/MB1)	RJ18W	\$12.70
(11) Three line, 2-wire. (T1/R1, T2/R2, T3/R3)	RJ25C	\$12.70
(B) Miniature 8-Position Jacks		
(1) Single line, 2-wire/4-wire, E & M Type I/II (4, 6 or 8 wire interface) (T/R, T1/R1, E/M, SB/SG)	RJ1CX	\$15.48
(2) Single line, series, alarm reporting. (T/R, T1/R1)	RJ31X	\$21.72
(3) Single line, series, alarm reporting, with continuity circuit. (T/R, T1/R1, CY1/CY2)	RJ38X	\$16.33
(4) Four line, 2-wire. (T1/R1, T2/R2, T3/R3, T4/R4)	RJ61X	\$15.48
(C) Weatherproof Jacks		
(1) Single line, for use in locations such as boats and marinas. (T/R, G)	RJ15C	\$27.33

ACCESS SERVICE

13. Miscellaneous Services (Cont'd)

13.3 Standard Jacks (Cont'd)

13.3.1 Standard Voice Jacks (Cont'd)

	<u>USOC</u>	<u>Nonrecurring Charge</u>
(D) Miniature 50-Position Ribbon Connector Jacks		
(1) 4-wire, 12 line capacity. (4-wire interface, T/R, T1/R1)	RJ2DX	\$29.58
(2) 2-wire, E & M, Type I, 12 line capacity. (4-wire interface, T/R, E/M)	RJ2EX	\$29.58
(3) 2-wire, E & M, Type I, 8 line capacity. (6-wire interface, T/R, E/M, SB/SG)	RJ2FX	\$29.58
(4) 4-wire, E & M, Type I, 8 line capacity (6-wire interface, T/R, T1/R1, E/M)	RJ2GX	\$29.58
(5) 4-wire, E & M, Type II, 6 line capacity. (8-wire interface, T/R, T1/R1, E/M, SB/SG)	RJ2HX	\$29.58
(6) 2-wire, make-busy, 12 line capacity. (4-wire, interface, T/R, MB/MB1)	RJ2MB	\$29.58
(7) 2-wire, 25 line capacity. (2-wire interface, T/R)	RJ21X	\$56.08
(8) 2-wire, series, 12 line capacity. (4-wire interface, T/R IN, T/R OUT)	RJ71C	\$57.41

13.3.2 Standard Analog Data Jacks

(A) Miniature 8-position Jacks

(1) Single line, Universal Data. (T/R-FLL, T/R-PROG, M1/M1C, PR/PC)	RJ41S	\$36.25
(2) Single line, Programmed Data. (T/R-PROG, M1/M1C, PR/PC)	RJ45S	\$26.72
(3) Single line, Programmed Data, with Make-busy leads. (T/R-PROG, MB1/MB2, PR/PC)	RJ4MB	\$19.74



ACCESS SERVICE

13. Miscellaneous Services (Cont'd)

13.3 Standard Jacks (Cont'd)

13.3.2 Standard Analog Data Jacks (Cont'd)

	<u>USOC</u>	<u>Nonrecurring Charge</u>
(B) Multiple Miniature 8-Position Jacks		
(1) Multiple mounting arrangement for Universal Data Jacks, 8 line capacity. Requires 1 RJ41S 8-Position Jack for each line. (T/R-FLL, T/R-PROG, M1/M1C, PR/PC) Requires RJM2X 103-type mounting apparatus. (1 for up to 16 RJ41S jacks)	RJ41M	None
(2) Multiple mounting arrangement for Programmed Data Jacks, 8 line capacity. Requires 1 RJ45S 8-Position Jack for each line. (T/R-PROG, M1/M1C, PR/PC) Requires RJM2X 103-type mounting apparatus. (1 for up to 16 RJ45S jacks)	RJ45M	None
(C) Miniature 50-Position Ribbon Connector Jacks		
(1) Multiple interface for Universal Data, 8 line capacity. (T/R-FLL, T/R-PROG, M1/M1C, PR/PC) Requires 1 data circuit pack for each line. Requires 1 of the following mounting kits:	RJ26X	\$154.17
- Wall mount	RJ26S	\$39.39
- Rack mount	RJM3X	\$ 43.33
	RJM4X	\$ 20.63
(2) Multiple interface for Programmed Data, 8 line capacity. (T/R-PROG, M1, M1C, PR/PC) Requires 1 RJ45S 8-Position Jack for each line. Requires RJM2X 103-type mounting apparatus. (1 for up to 16 RJ45S jacks) Requires 1 RJA5X Adapter cord for every 8 circuits.	RJ27X	None

## ACCESS SERVICE

13. Miscellaneous Services (Cont'd)13.3 Standard Jacks (Cont'd)13.3.2 Standard Analog Data Jacks (Cont'd)

	<u>USOC</u>	<u>Nonrecurring Charge</u>
(D) Related Jack Installation Equipment		
(1) 103-type mounting apparatus, for use with up to 16 RJ45S jacks	RJM2X	\$184.16
(2) Adapter cord	RJA5X	\$42.20

13.3.3 Non-Registration Analog Data Jacks

(A) Miniature 8-Position Keyed Data Jack for Private Line Analog Data Circuits	JM8	\$19.74
---	-----	---------

13.3.4 Registration Digital Data Jacks(A) Miniature 8-Position Nonkeyed  
Data Jacks

(1) Single 1.544 Mbps Digital line (T/R, T1/R1)	RJ48C	\$22.18
(2) Single Digital Data Access line (T/R, T1/R1)	RJ48S	\$11.76

## (B) Miniature 50-Position Data Jacks

(1) Multiple 1.544 Mbps Digital line, 12 line capacity. (T/R, T1/R1)	RJ48H	\$63.35
(2) Multiple 1.544 Mbps Digital line 8 line capacity. (T/R, T1/R1)	RJ48M	\$22.18
(3) Multiple Digital Data Access lines 12 line capacity. (T/R, T1/R1)	RJ48T	\$29.58

ACCESS SERVICE

13. Miscellaneous Services (Cont'd)

13.4 Protective Connecting Arrangements

The following Protective Connecting Arrangement (PCA) is grandfathered and is provided only where already in place in accordance with Part 68 of the Commission's rules:

<u>Description</u>	<u>Monthly Rate</u>	<u>Nonrecurring Charge</u>
Automatic PCA used to connect Telephone Company Switched Access Service arranged for two-way combination service to and from the attendant position and from the dial switching equipment of a CPE system.	\$11.24	\$168.86

13.5 Individual Case Filings

Rates and Charges for items of Miscellaneous Service are filed following:

<u>Case No.</u>	<u>Customer</u>	<u>Description</u>	<u>Monthly Rates</u>	<u>Non-Recurring Charges</u>
84002	AT&T Communications	T-Tran Exchange of CABS billing data - Per record transmitted	\$0.0008	\$6,110.00
85011	ITT World Communications	Magnetic Tape of CABS billing data one time only, 1 tape	\$52.88	

---

ACCESS SERVICE

---

14. RESERVED

---

ACCESS SERVICE

---

15. RESERVED

---

ACCESS SERVICE

---

16. Special Access Service Individual Case Basis Filings

16.1 Individual Case Filings for Special Access

Rates and Charges for Special Access Service provided on an individual case basis are filed following:

---

ACCESS SERVICE

---

17. RESERVED

---

ACCESS SERVICE

---

18. RESERVED



---

**ACCESS SERVICE**

---

**19. Packet Switched Data Network Service (PSDN)<sup>(1)</sup>****19.1 General**

Packet Switched Data Network Service (PSDN) utilizes packet switching technology and digital transmission facilities to provide economical common user switched data transport for bursty traffic of X.25 and X.75 protocols, (as defined by the Consultative Committee for International Telephone and Telegraph-CCITT).

With packet switching technology, data streams are packetized and then moved through the network to their destinations. The packet network examines, routes and transports packets individually without maintaining a physical path between bursts of data. In this way, greater volumes can be transported through shared network transmission facilities and individual data packets can be sent on alternate routes as the need arises, resulting in better system performance and higher network availability. the reduction in network facilities results in a more economical form of data transport for interactive applications.

**19.1.1 PSDN Access Arrangements**

Customers connect directly to a Telephone Company provided Packet Switched port connection at a X.25 or X.75 protocol via dedicated Special Access Digital Data facilities, as described in Section 7.15, at speeds of either 9.6 or 56 Kbps.

Non-tariff rates apply when data exchanged between equipment using the asynchronous protocol and equipment using the X.25 or X.75 protocol takes place.

Shared Network Arrangements are not permitted with PSDN Service.

**19.1.2 Terms and Conditions**

The regulations, rates and charges specified herein are specific to the Packet Switched Data Network (PSDN) Service and are in addition to regulations contained in General Regulations Section 2 and Special Access Section 7.

<sup>(1)</sup> As of October 6, 2004, PSDN service utilizing the X.25 protocol and the X.75 protocol is obsolete and is limited to existing installations, at existing locations, for existing customers.

---

ACCESS SERVICE

---

19. Packet Switched Data Network Service (PSDN) (Cont'd)<sup>(1)</sup>

19.1 General (Cont'd)

19.1.2 Terms and Conditions

The regulations, rates and charges specified herein are specific to the Packet Switched Data Network (PSDN) Service and are in addition to regulations contained in General Regulations Section 2 and Special Access Section 7.

(A) Credit Allowances

In cases of an interruption not due to the negligence of the customer, allowance for the period of interruption shall be as follows:

(1) Usage

A credit allowance does not apply for usage (kilosegments).

(2) Optional Features

If the service experiencing an interruption includes associated optional features being billed monthly recurring rates, credit for the associated features will be billed at the rate of 1/30th of the applicable monthly rates for each period of 24 hours or major fraction thereof that the interruption continues.

(3) Monthly Flat Rated Services

No credit shall be allowed for an interruption of less than 30 minutes. The customer shall be credited for an interruption of 30 minutes or more at the rate of 1/1440 of the monthly charges for each period of 30 minutes, or major fraction thereof, that the interruption continues.

(4) Service Guarantees

Service Installation Guarantees, as set forth in Section 2.11.6 and Service Maintenance Guarantees, as set forth in Section 2.12.2(F), apply to the Special Access Digital Data Service

<sup>(1)</sup> As of October 6, 2004, PSDN service utilizing the X.25 protocol and the X.75 protocol is obsolete and is limited to existing installations, at existing locations, for existing customers.

---

**ACCESS SERVICE**

---

**19. Packet Switched Data Network Service (PSDN) (Cont'd)<sup>(1)</sup>****19.1 General (Cont'd)****19.1.3 Customer Obligations**

When ordering PSDN service offered under this Guide the customer must provide the following information.

- (1) The number and location of port connections desired, including estimated usage for each port connection.
- (2) The initial set of software features and functions for each port connection.
- (3) The transmission speed for each port connection and digital data channel.

**19.1.4 Special Facilities Routing**

The services provided under this Guide are provided over such routes and facilities as the Telephone Company may select. Special Facilities Routing requirements requested by the customer will be on an individual case basis, as specified in Section 11.

<sup>(1)</sup> As of October 6, 2004, PSDN service utilizing the X.25 protocol and the X.75 protocol is obsolete and is limited to existing installations, at existing locations, for existing customers.

---

ACCESS SERVICE

---

19. Packet Switched Data Network Service (PSDN) (Cont'd)<sup>(1)</sup>

19.1 General (Cont'd)

19.1.5 Rate Elements

The following rate elements apply to PSDN:

(A) Digital Data Channels

Digital channels are suitable for duplex transmission of synchronous digital signals of transmission speeds of 9.6 or 56 kilobits per second (Kbps) and are used to connect customer premises directly to a port of the designated packet switch at either a X.25 or X.75 protocol. Rate elements for Digital Data Channels are defined in section 7.15.

A Channel Service Unit (CSU) will be provided by the customer as specified in Section 7.15.2.

(B) Port Connection

Connections are made directly to the Telephone Company packet switch by means of a dedicated port connection. Port connections operate at transmission speeds of 9.6 Kbps or 56 Kbps in support of X.25 or X.75 digital interfaces.

(C) Network Usage

Usage (or traffic) is measured in the number of kilosegments transported within a packet through the Telephone Company provided Packet Switched Data Network. For billing purposes, the monthly usage is based on kilosegments and such charges are billed to the customer responsible for the connection over which the kilosegments are transported.

Customers are neither charged for segments generated internally by the network for the acknowledgment of information packets, nor are customers charged for any segments which are retransmitted by a network packet switch upon detection of a transmission error.

<sup>(1)</sup> As of October 6, 2004, PSDN service utilizing the X.25 protocol and the X.75 protocol is obsolete and is limited to existing installations, at existing locations, for existing customers.

---

ACCESS SERVICE

---

19. Packet Switched Data Network Service (PSDN) (Cont'd)<sup>(1)</sup>

19.1 General (Cont'd)

19.1.6 Optional Software Features

(A) Call Redirection

Call Redirection is a feature permitting a virtual call to be established to a pre-specified alternate address if a destination address is not available.

(B) Multiple Port Hunt Group

Multiple Port Hunt Group allows the customer with two or more port connections on the same packet switch to have all of those port connections arranged as a hunt group.

(C) Software Parameter Change Charge

Software Parameter Change Charge feature is a nonrecurring charge applied when the customer orders any change of software parameter after service has been established. One charge applied per port connection for each order, regardless of the number of software parameter changes requested by the customer for that port connection.

<sup>(1)</sup> As of October 6, 2004, PSDN service utilizing the X.25 protocol and the X.75 protocol is obsolete and is limited to existing installations, at existing locations, for existing customers.

## ACCESS SERVICE

19. Packet Switched Data Network Service (PSDN) (Cont'd)<sup>(1)</sup>19.1 General (Cont'd)19.1.7 Descriptions of Rates and Charges

There are two types of rates and charges which apply to PSDN Service. They are monthly recurring rates and nonrecurring charges. These rates and charges are applied differently to the various rate elements as set forth below.

(A) Monthly Rates

Monthly Rates are either (1) fixed recurring rates that apply each month, or fraction thereof, when a specific service is provided; or (2) Usage sensitive rates that apply on a per unit basis, e.g., kilosegment, when a specific service is used.

(B) Nonrecurring Charges

A nonrecurring charges are one-time charges that apply for a specific work activity (i.e., installation of a service or rearrangement of an existing service).

(1) Installation

The nonrecurring charges for the installation of each service are set forth in Sections 7.15 and 19.1.8.

(2) Service Rearrangement

Changes from one existing service to another is considered a service rearrangement and will be treated as the discontinuance of the existing service and the installation of a new service. The nonrecurring charges described in 1. preceding will apply for this work.

(3) Moves

Moves that change the physical location of the point of termination are described in Section 2.11.5(E).

(4) Disconnect Non-Recurring Charge

(C)

In addition to any other charges associated with discontinuance of services, the Telephone Company will charge a Disconnect Non-Recurring Charge to discontinue services. This charge applies on a per circuit basis as listed in Section 24. In addition to the Disconnect Non-Recurring Charge, minimum service period charges and early termination liability may apply if the circuit term or minimum service period has not been met.

(C)

<sup>(1)</sup> As of October 6, 2004, PSDN service utilizing the X.25 protocol and the X.75 protocol is obsolete and is limited to existing installations, at existing locations, for existing customers.

---

 ACCESS SERVICE
 

---

19. Packet Switched Data Network Service (PSDN) (Cont'd)<sup>(1)</sup>19.1 General (Cont'd)19.1.8 Application of Rates and Charges(A) Digital Data Channels

Rates and charges for 9.6 Kbps and 56 Kbps Digital Data Channels are found in Section 7.15.

(B) Port Connection

<u>Transmission Speed</u>	<u>Protocol Interface</u>	<u>Monthly Rate</u>	<u>Nonrecurring Charge</u>
9.6 Kbps	X.25	\$195.00	\$473.23
9.6 Kbps	X.75	\$195.00	\$473.23
56 Kbps	X.25	\$600.00	\$473.23
56 Kbps	X.75	\$600.00	\$473.23

<sup>(1)</sup> As of October 6, 2004, PSDN service utilizing the X.25 protocol and the X.75 protocol is obsolete and is limited to existing installations, at existing locations, for existing customers.

ACCESS SERVICE

---

19. Packet Switched Data Network Service (PSDN) (Cont'd)<sup>(1)</sup>

19.1 General (Cont'd)

19.1.8 Application of Rates and Charges (Cont'd)

(C) Network Usage Charge

(1) Peak Hour Usage Rates apply to kilosegments transported between the hours of 7:00 AM to 6:00 PM Monday through Friday and excluding the holidays specified in Off-Peak Hour Rate in (2) following.

<u>Usage Level/ Peak Hour Rate</u>	<u>Rate Per Kilosegment</u>
First 1 - 500	\$0.35
Next 501 - 2300	\$0.32
Next 2301 - 4200	\$0.28
Next 4201 - 6100	\$0.25
Next 6101 + Over	\$0.20

(2) The Off-Peak Hour Usage Rate applies to the total number of kilosegments transported other than from 7:00 AM to 6:00 PM, Monday through Friday. The Off-Peak Hour Usage Rate also will apply to the 24 hour period during holidays of New Year's Day, Independence Day, Labor Day, Thanksgiving Day and Christmas Day.

<u>Usage Level/ Peak Hour Rate</u>	<u>Rate Per Kilosegment</u>
First 1 - 500	\$0.35
First 01 - 6100	\$0.15
Next 6101 + Over	\$0.08

<sup>(1)</sup> As of October 6, 2004, PSDN service utilizing the X.25 protocol and the X.75 protocol is obsolete and is limited to existing installations, at existing locations, for existing customers.



ACCESS SERVICE

---

19. Packet Switched Data Network Service (PSDN) (Cont'd)<sup>(1)</sup>

19.1 General (Cont'd)

19.1.8 Application of Rates and Charges (Cont'd)

(D) Extended Term Service Plan

Extended Term Service Plans provide the option for customers to subscribe to a selected level of usage volume at a guaranteed rate. This rate is based upon the peak hour rates shown in section 19.2.8(C)(1) of this Guide. Four plans, which apply to peak usage only, are available under the following terms and conditions:

- (1) If the customer does not generate the committed level of usage during a given month, they will be billed for the committed usage level. Usage generated above that level will be billed at the applicable plan rate.
- (2) A customer may change their usage commitment level at any time to be effective at the beginning of the next billing period.
- (3) The following rates apply to each payment plan:

<u>Plan</u>	<u>Minimum Usage Billed</u>	<u>Minimum Monthly Rate Level</u>	<u>Payment</u>
1	501 KS	\$0.32	\$160.00
2	2,301 KS	0.28	\$645.00
3	4,201 KS	0.25	\$1,050.00
4	6,101 KS	0.20	\$1,220.00

<sup>(1)</sup> As of October 6, 2004, PSDN service utilizing the X.25 protocol and the X.75 protocol is obsolete and is limited to existing installations, at existing locations, for existing customers.

**ACCESS SERVICE**

---

19. Packet Switched Data Network Service (PSDN) (Cont'd)<sup>(1)</sup>

19.1 General (Cont'd)

19.1.8 Application of Rates and Charges (Cont'd)

(E) Optional Software Features

	<u>Monthly Rates</u>	<u>Nonrecurring Charges</u>
(1) Call Redirection, Per Redirect	N/A	\$60.00
(2) Multiple Port Hunt Group Per Group	N/A	\$60.00
(3) Software Parameter Change Charge Per Occurrence	N/A	\$60.00

A Nonrecurring charge does not apply when a feature is included on the initial Port Connection service installation service order. A Software Change charge will apply to subsequent changes except that no charge will apply to a discontinuance of the feature.

<sup>(1)</sup> As of October 6, 2004, PSDN service utilizing the X.25 protocol and the X.75 protocol is obsolete and is limited to existing installations, at existing locations, for existing customers.

---

ACCESS SERVICE

---

20. RESERVED

---

ACCESS SERVICE

---

21. RESERVED

---

ACCESS SERVICE

---

22. RESERVED

---

**ACCESS SERVICE**

---

**23. Operating Territory of the Frontier Telephone Companies****23.1 Competitive Counties****23.1.1 General**

Counties and county-equivalents within the Telephone Company's operating territories are either Competitive or Non-Competitive for the purposes of pricing Special Access Services. The Special Access rates in this Guide apply to Competitive Counties.

Rates and charges for Competitive rate elements are provided in Section 24, and for Non-Competitive rate elements, the rates and charges are provided in Section 7.

**23.1.2 Rate Regulations**

The application of rates and charges for Special Access services, as provided in Section 7, is based upon the county classification as Competitive or Non-Competitive, as provided in section 7.4. A list of Competitive Counties is located in Section 23.1.3.

Section 69.801(d) of the FCC's rules defines a "Grandfathered market" as "[a] county that does not satisfy the competitive market test set forth in § 69.803 for which a price cap local exchange carrier obtained Phase II relief pursuant to § 69.711(c)." Pursuant to Section 69.807(c) of the FCC's rules, for the CLLI Codes in grandfathered markets, a new rate element "Grandfathered Market" has been created for the Nonrecurring charge (NRC) under section 24. "Grandfathered Market" rate will be applicable for such Nonrecurring charges (NRC).

## ACCESS SERVICE

23. Operating Territory of the Frontier Telephone Companies23.1 Competitive Counties23.1.3 Competitive Counties

<b>State</b>	<b>County</b>	<b>Wire Center</b>
CT	Fairfield	BRPTCT01
CT	Fairfield	BRPTCT03
CT	Fairfield	BRFDCT00
CT	Fairfield	DNBRCT00
CT	Fairfield	DARNCT00
CT	Fairfield	FRFDCT00
CT	Fairfield	GRTWCT00
CT	Fairfield	NWCNCT00
CT	Fairfield	NWFLCT00
CT	Fairfield	NWTWCT00
CT	Fairfield	NRWLCT03
CT	Fairfield	NRWLCT02
CT	Fairfield	OGNWCT00
CT	Fairfield	RDNGCT00
CT	Fairfield	RDFDCT00
CT	Fairfield	HNTNCT00
CT	Fairfield	SMFRCT01
CT	Fairfield	SMFRCT01
CT	Fairfield	SMFRCT02
CT	Fairfield	SRFRCT00
CT	Fairfield	TMBLCT00
CT	Fairfield	WSPTCT00
CT	Fairfield	WLTOCT00
CT	Hartford	BRLNCT00
CT	Hartford	BLFDCT00
CT	Hartford	BRSTCT00
CT	Hartford	CNTNCT00
CT	Hartford	EHRTCT01
CT	Hartford	EHRTCT02
CT	Hartford	ENFDCT01
CT	Hartford	ENFDCT02
CT	Hartford	FRTNCT00

## ACCESS SERVICE

23. Operating Territory of the Frontier Telephone Companies

(N)

23.1 Competitive Counties (Cont'd)23.1.3 Competitive Counties (Cont'd)

<b>State</b>	<b>County</b>	<b>Wire Center</b>
CT	Hartford	UNVLCT00
CT	Hartford	GLBYCT00
CT	Hartford	GRNBCT00
CT	Hartford	HRFRCT03
CT	Hartford	HRFRCT03
CT	Hartford	HRFRCT03
CT	Hartford	HRFRCT03
CT	Hartford	HRFRCT03
CT	Hartford	HRFRCT03
CT	Hartford	MNCHCT00
CT	Hartford	MRLBCT00
CT	Hartford	NWBRCT00
CT	Hartford	NWNTCT00
CT	Hartford	PLVLCT00
CT	Hartford	SMBYCT00
CT	Hartford	WPNGCT00
CT	Hartford	STTNCT00
CT	Hartford	SFFDCT00
CT	Hartford	WHFRCT01
CT	Hartford	WHFRCT02
CT	Hartford	WTFDCT00
CT	Hartford	WNSDCT00
CT	Hartford	WLKSCT00
CT	Litchfield	CNANCT00
CT	Litchfield	CRNWCT00
CT	Litchfield	GSHNCT00
CT	Litchfield	KENTCT00
CT	Litchfield	LKVLCT00
CT	Litchfield	LTFDCT00
CT	Litchfield	NMFRCT00
CT	Litchfield	NRFLCT00
CT	Litchfield	SHRNCT00
CT	Litchfield	THTNCT00

(N)



ACCESS SERVICE

23. Operating Territory of the Frontier Telephone Companies

23.1 Competitive Counties (Cont'd)

23.1.3 Competitive Counties (Cont'd)

State	County	Wire Center	
CT	Litchfield	TRTNCT00	
CT	Litchfield	WASHCT00	
CT	Litchfield	WTTWCT00	
CT	Litchfield	WNSTCT00	
CT	Middlesex	CLTNCT00*	
CT	Middlesex	CRWLCT00*	
CT	Middlesex	DPRVCT00*	(Z)
CT	Middlesex	DRHMCT00*	
CT	Middlesex	EHTNCT00*	
CT	Middlesex	ESSXCT00*	
CT	Middlesex	HGNMCT00*	
CT	Middlesex	MDTWCT00*	
CT	Middlesex	MODSCT00*	
CT	Middlesex	OLSYCT00*	
CT	Middlesex	PTLDCT00*	
CT	Middlesex	WSBKCT00*	
CT	New Haven	BTHNCT00	
CT	New Haven	BRFRCT00	(Z)
CT	New Haven	CHSHCT01	
CT	New Haven	DRBYCT00	
CT	New Haven	GUFDCCT00	
CT	New Haven	HMDNCT00	
CT	New Haven	MDSNCT01	
CT	New Haven	MDSNCT02	
CT	New Haven	MRDNCT04	
CT	New Haven	MRDNCT00	
CT	New Haven	MDLBCT00	
CT	New Haven	MLFRCT00	
CT	New Haven	NGTCCT00	
CT	New Haven	NWHNCT02	
CT	New Haven	NWHNCT03	
CT	New Haven	NWHNCT03	

\*These CLLI codes/Wire Centers are in Grandfathered Markets

(Z)

ACCESS SERVICE

23. Operating Territory of the Frontier Telephone Companies

(N)

23.1 Competitive Counties (Cont'd)

23.1.3 Competitive Counties (Cont'd)

State	County	Wire Center
CT	New Haven	EHVNCT00
CT	New Haven	WSTVCT00
CT	New Haven	NBFRCT00
CT	New Haven	NHVNCT00
CT	New Haven	ORNGCT00
CT	New Haven	PRSPCT00
CT	New Haven	SYMRCT00
CT	New Haven	SOBYCT00
CT	New Haven	WLFRC00
CT	New Haven	WTRBCT00
CT	New Haven	WSHNCT00
CT	New Haven	WLCTCT00
CT	Tolland	CLMACT00
CT	Tolland	CNTYCT00
CT	Tolland	RKVLCT00
CT	Tolland	STSPCT00
CT	Tolland	STRSCT01
CT	Windham	DNSNCT00
CT	Windham	HMPNCT00
CT	Windham	PLFDCT00
CT	Windham	PTNMCT00
CT	Windham	THSNCT00
CT	Windham	WLMNCT00
CT	Windham	WDSTCT00

(N)

---

ACCESS SERVICE

---

24. Metropolitan Statistical Area Access Services

24.1 General Description

(A) This section of the tariff provides the regulations, rates, and terms and conditions that apply to telecommunications services provided by the Telephone Company in the Metropolitan Statistical Areas (MSAs) in which the Telephone Company has received Phase II pricing flexibility pursuant to Subpart H of Part 69 of the Commission's Rules. MSAs are divided into the categories below:

(1) Full Service MSAs

Full Service Relief MSAs are those MSAs which qualified for Phase II pricing flexibility for all elements of service, such as local channels (channel terminations) between LEC end offices and customer (end user) premises; entrance facilities; local channels (channel terminations) between an Interexchange carrier's point of presence and a serving wire center. The Full Service Relief MSAs are set forth in Section 24.2(A), following.

(2) Limited Service MSAs

Limited Service Relief MSAs are those MSAs that qualified for Phase II pricing flexibility for all elements of service except local channels (channel terminations) between LEC end offices and customer (end user) premises. The Limited Service MSAs are set forth in Section 24.2(B), following.

(B) The services provided in MSAs pursuant to this section of the Service Guide are set forth in Section 24.3, following. These services are comparable to the SWA Dedicated Transport Services in Sections 6.3.1(A), 6.3.1(B), 6.3.1(E), 17 and the Special Access Services in Section 7. The general regulations, service descriptions, and rate regulations for the SWA Dedicated Transport Services in Sections 6 and 17 and the Special Access Services in Sections 7 also apply to the services specified in this section, except as provided below.

An exception in 24.4(F) applies for term pricing plans.

(C) Unless otherwise provided for in this section, regulations set forth in Sections 1, 2, 5, and 8 also apply.

---

ACCESS SERVICE

---

24. Metropolitan Statistical Area Access Services (Cont'd)

24.2 Metropolitan Statistical Areas

(A) Full Service Relief MSAs are listed below:

<u>State</u>	<u>MSA</u>
Connecticut	Hartford

(B) Limited Service Relief MSAs are listed below:

<u>State</u>	<u>MSA</u>
Connecticut	Bridgeport
Connecticut	New Haven
Connecticut	New London

24.3 Services Available in an MSA

The following services are available in MSAs with Full and Limited Service Relief:

<u>Special Access</u>	<u>Switched Access/Dedicated Transport</u>
Voice Grade Service	Voice Grade
Program Audio Service	DS1
Video Service	DS3
Digital Data Service	SS7
High Capacity Service	

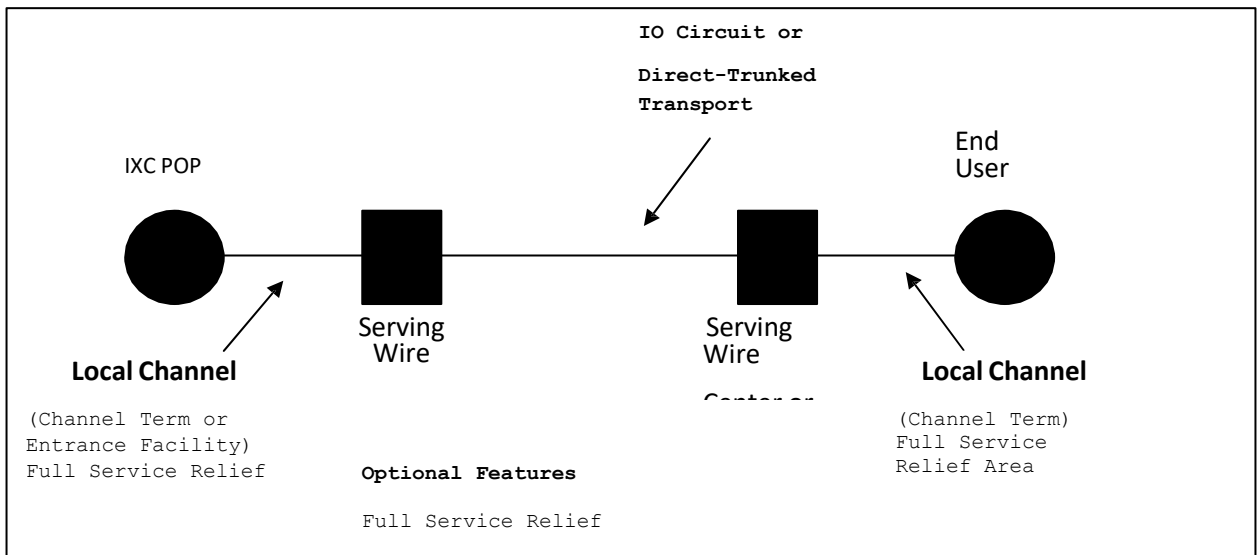
ACCESS SERVICE

24. Metropolitan Statistical Area Access Services (Cont'd)

24.4 Rate Regulations

- (A) Figure 1 illustrates services provided totally from an MSA located in a Full Service Relief Area. The rates and charges for all associated rate elements for services in a Full Service Relief Area are contained in Section 24.5, following. Figure 1: Full Service Relief Area

Figure 1: Full Service Relief Area



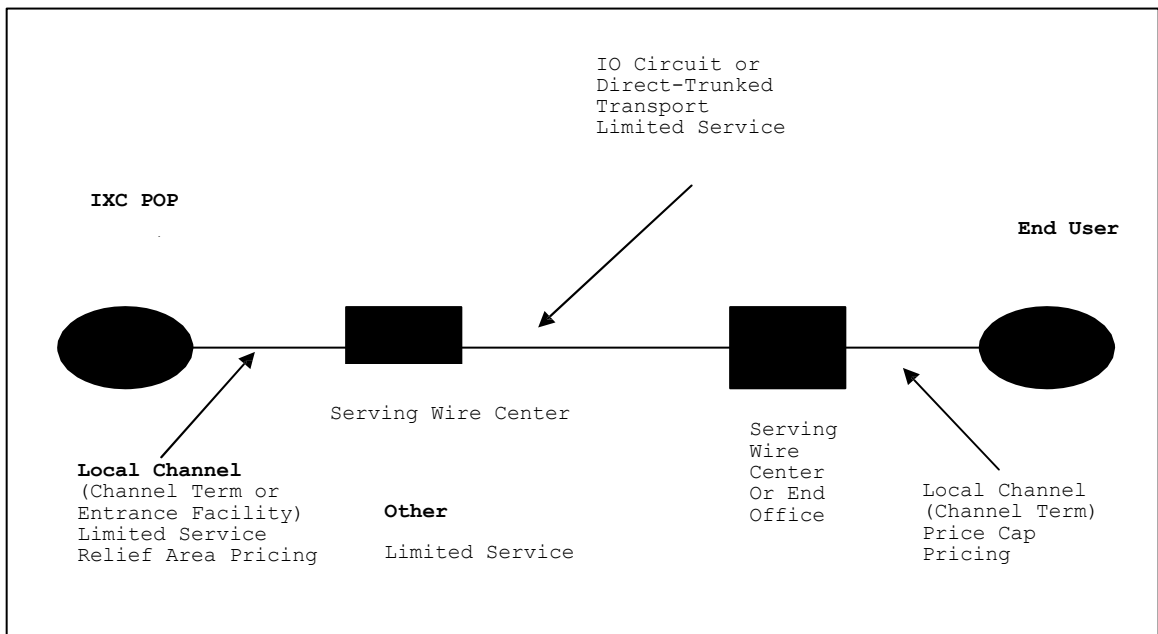
ACCESS SERVICE

24. Metropolitan Statistical Area Access Services (Cont'd)

24.4 Rate Regulations (Cont'd)

- (B) Figure 2 illustrates services provided within an MSA located in a Limited Service Relief Area. The rates and charges for all associated rate elements for services in a Limited Service Relief Area are contained in Section 24.5, except for the local channels (channel terminations) between a LEC end office and a customer (end user) premise, which are referenced in Section 7 of this Guide.

Figure 2: Limited Service Relief Area



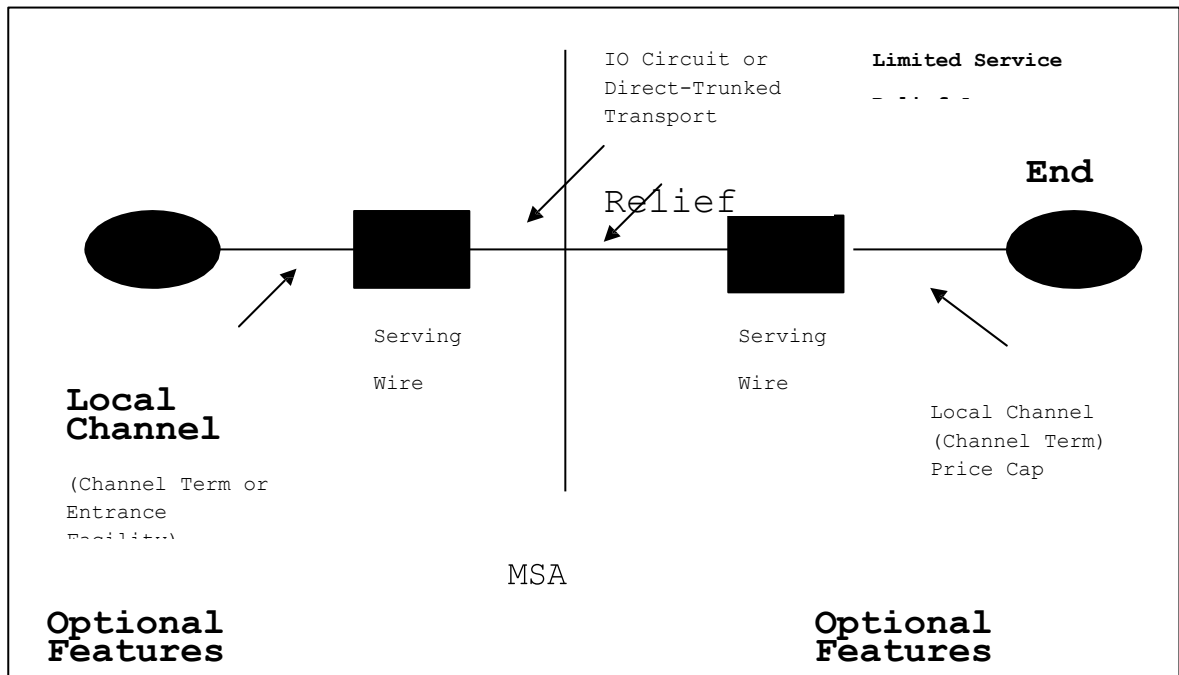
ACCESS SERVICE

24. Metropolitan Statistical Area Access Services (Cont'd)

24.4 Rate Regulations (Cont'd)

- (C) Figure 3 illustrates a service provided from two MSAs—one MSA located in a Full Service Relief Area and one MSA located in a Limited Service Relief Area. The rates and charges for local channels and optional features located in the Full Service Relief Area are located in section 24.4(A). The rates and charges for local channels and optional features located in the Limited Service Relief Area are located in section 24.4(B). Interoffice channels between a Full Service Relief Area and a Limited Service Relief Area are rated the same as that of an interoffice channel in a Limited Service Relief Area, and rates and charges are identified in section 24.4(B), preceding.

Figure 3: Full Service Relief and Limited Service Relief Areas



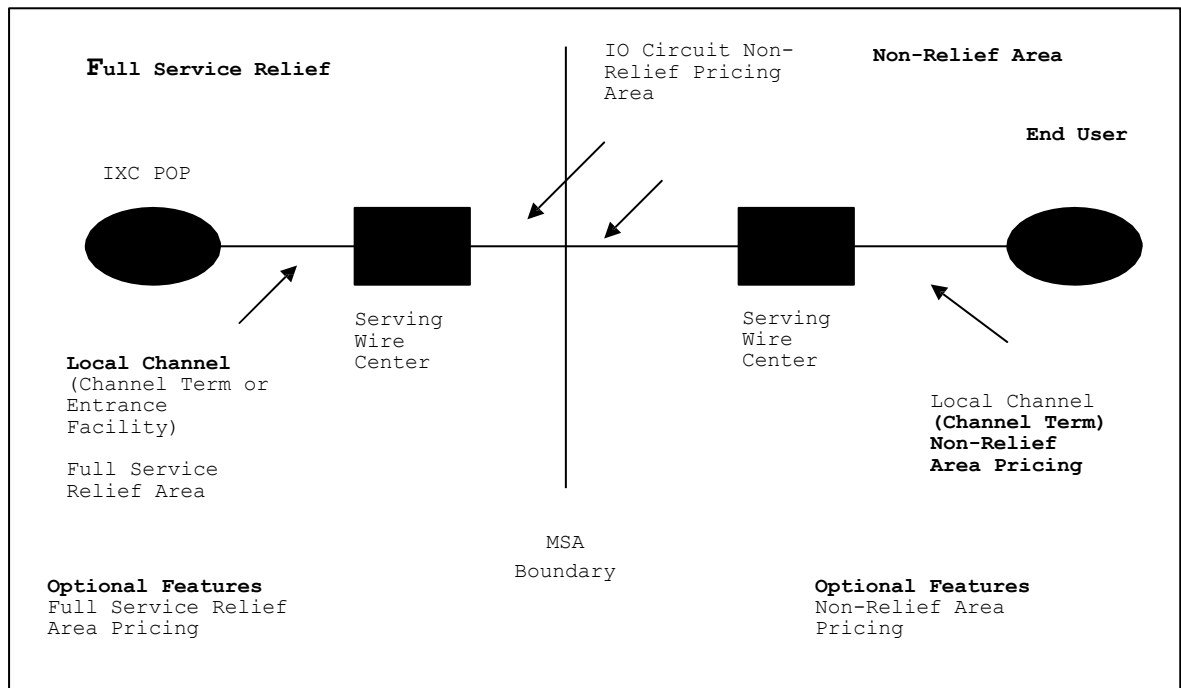
ACCESS SERVICE

24. Metropolitan Statistical Area Access Services (Cont'd)

24.4 Rate Regulations (Cont'd)

(D) Figure 4 illustrates a service provided from two MSAs—one MSA located in a Full Service Relief Area and one MSA located in a Non-Relief Area. The rates and charges for local channels and optional features located in the Full Service Relief Area are located in section 24.4(A), preceding. Interoffice channels between a Full Service Relief Area and a Non-Relief Area are rated the same as that of an interoffice channel in a Non-Relief Area. Rates and charges for local channels, interoffice channels, and optional features in a Non-Relief Area are in Sections 6.3.1(A), 6.3.1(B), 6.3.1(E), 7, and 17 of this Guide.

Figure 4: Full Service Relief and Non-Relief Service Areas





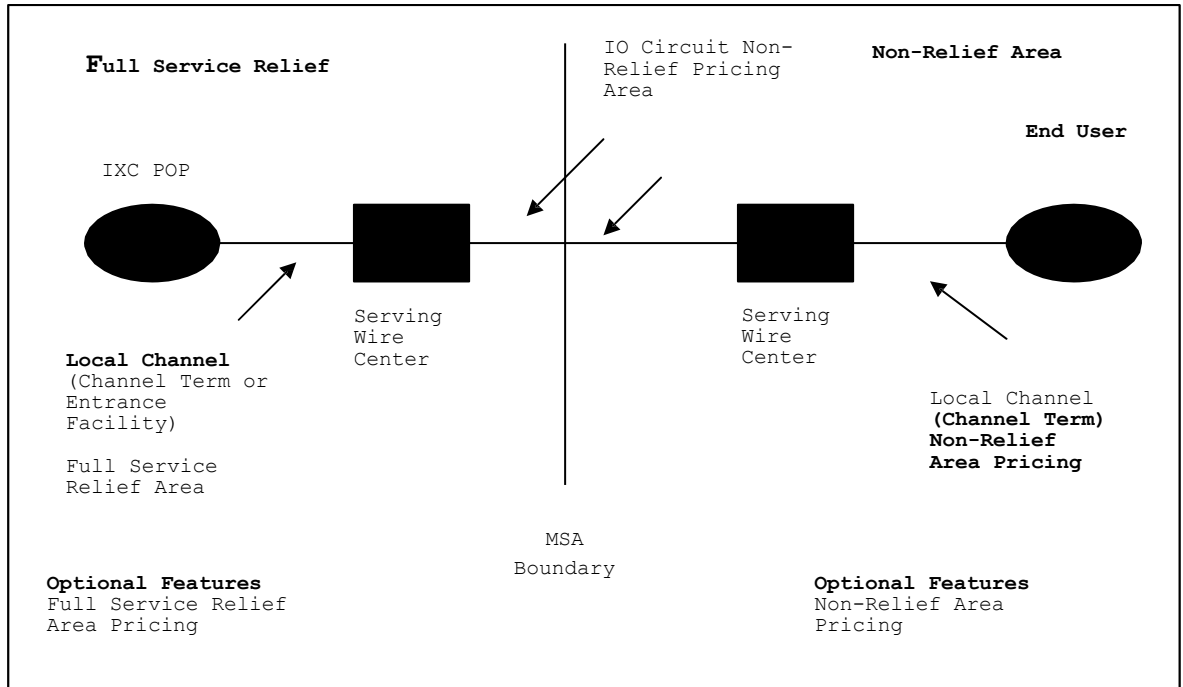
ACCESS SERVICE

24. Metropolitan Statistical Area Access Services (Cont'd)

24.4 Rate Regulations (Cont'd)

(E) Figure 5 illustrates a service provided from two MSAs—one MSA located in a Limited Service Relief Area and one located in a Non-Relief Area. The rates and charges for local channels and optional features located in the Limited Service Relief Area are in section 24.4(B) preceding. Interoffice channels between a Limited Service Relief Area and a Non-Relief Area are rated the same as that of an interoffice channel in a Non-Relief Area. Rates and charges for local channels, interoffice channels, and optional features in a Non-Relief Area are obtained in Sections 6.3.1(A), 6.3.1(B), 6.3.1(E), 7, and 17 of this Guide.

Figure 5: Limited Service Relief and Non-Relief Service Areas



---

ACCESS SERVICE

---

24. Metropolitan Statistical Area Access Services (Cont'd)

24.4 Rate Regulations (Cont'd)

(F) Term Pricing Plan # (C)

For the purpose of Metropolitan Statistical Area Access Service, the following plan applies when referring to Term Pricing Plans:

- Optional Payment Plan (OPP)

# Effective November 19, 2021, Term Pricing Plans and/or Optional Payment Plans are no longer permitted. A Term Pricing Plan and/or Optional Payment Plan in effect as of November 19, 2021 may continue the existing term but will not be eligible to extend, renew, reenroll in, convert to a new term period, or in any other way continue their existing plan beyond its current expiration. At expiration of the term the service will convert to the Month to Month Rate. If at any time an existing customer terminates its Term Pricing Plan and/or Optional Payment Plan, the customer may not re-subscribe to the plan. (N)

ACCESS SERVICE

---

24. Metropolitan Statistical Area Access Services (Cont'd)

ACCESS SERVICE

---

24. Metropolitan Statistical Area Access Services (Cont'd)

ACCESS SERVICE

---

24. Metropolitan Statistical Area Access Services (Cont'd)

---

ACCESS SERVICE

---

24. Metropolitan Statistical Area Access Services (Cont'd)

---

ACCESS SERVICE

---

24. Metropolitan Statistical Area Access Services (Cont'd)

ACCESS SERVICE

---

24. Metropolitan Statistical Area Access Services (Cont'd)



ACCESS SERVICE

---

24. Metropolitan Statistical Area Access Services (Cont'd)

ACCESS SERVICE

24. Metropolitan Statistical Area Access Services (Cont'd)

24.5 Rates and Charges (Cont'd)

24.5.2 Special Access Services

24.5.2.1 Voice Grade Special Access Services & WATS

(A) <u>Channel Termination</u>	<u>Monthly Rate</u>	<u>Nonrecurring Charge</u>	
(1) <u>Voice Grade (per channel)</u>			
- 2-wire Grandfathered Market	\$746.18	\$18,307.27 14,645.83	(C)
- 4-wire Grandfathered Market	\$1,268.52	18,692.66 14,954.17	
Two-wire, Per point of termination Grandfathered Market	\$744.63	7,820.21 6,256.13	
Four-wire, Per point of termination Grandfathered Market	\$1,063.75	8,649.69 6,919.59	
(B) <u>Channel Mileage - Monthly Rates</u>			
<u>Mileage Bands</u>	<u>Fixed</u>	<u>Per Mile</u>	
0	None	None	
Over 0	\$531.93	\$39.16	(C)
Disconnect Non-Recurring Charge – per Circuit		\$975.00	
(C) <u>Optional Features and Functions</u>			
<u>Transmission Enhancements</u>	<u>Monthly Rate</u>	<u>Nonrecurring Charge</u>	
<u>C Conditioning</u>			
- Per point of termination	\$6.01	None	
<u>Improved Attenuation Distortion</u>			
- per point of termination	\$1.44	None	
<u>Improved Return Loss, Two-wire</u>			
- Per point of termination	\$1.77	None	
<u>Improved Return Loss, Four-wire</u>			
- Per point of termination	\$1.77	None	
Sealing Current Conditioning	None	None	
<u>Data Capability</u>			
- Per point of termination	\$1.36	\$159.14	
- Grandfathered Market		\$127.31	
<u>Telephoto Capability</u>			
- Per point of termination	\$8.30	\$161.76	
- Grandfathered Market		\$129.41	

ACCESS SERVICE

---

24. Metropolitan Statistical Area Access Services (Cont'd)

24.5 Rates and Charges (Cont'd)

24.5.2 Special Access Services (Cont'd)

24.5.2.1 Voice Grade Special Access Services (Cont'd)

(C) Optional Features and Functions (Cont'd)

	<u>Monthly Rate</u>	<u>Nonrecurring Charge</u>
Customer Premises Terminating Options		
Customer Specified Receive Level	None	None
Signal Capability - Per point of termination	\$1.77	None
 <u>Bridging</u>		
Voice, Per port		
- Two-Wire	\$5.07	None
- Four-Wire	\$5.07	None
Data, Per port		
- Two-Wire	\$5.07	None
- Four-Wire	\$5.07	None
Telephoto, Per port		
- Two-Wire	\$5.07	None
- Four-Wire	\$5.07	None
Data Station Termination Unit (DST)	\$20.70	None

---

## ACCESS SERVICE

24. Metropolitan Statistical Area Access Services (Cont'd)24.5 Rates and Charges (Cont'd)24.5.2 Special Access Services (Cont'd)24.5.2.2 WATS Access Line Service (WAL Service)(A) Channel Terminations  
Per point of termination

- Two-wire voice grade

The rates and charges are the same as for  
Voice Grade Service

- Four-wire voice grade

The rates and charges are the same as for  
Voice Grade Service.(B) Channel Mileage

- Two or four wire

The rates and charges are the same as for  
Voice Grade Service.(C) Optional Features and FunctionsSignaling Capability  
Per point of terminationThe rates and charges are the same as for  
Voice Grade Signaling Capability.Bridging  
Two-wire, Per portThe rates and charges are the same as for  
Voice Grade Bridging.

Four-wire, Per port

The rates and charges are the same as for  
Voice Grade Bridging.

Improved Two-Wire Transmission

No additional charge.

ACCESS SERVICE

24. Metropolitan Statistical Area Access Services (Cont'd)

24.5 Rates and Charges (Cont'd)

24.5.2 Special Access Services (Cont'd)

24.5.2.3 Program Audio Special Access Service

(A) Channel Terminations  
Per point of termination

	<u>Monthly Rate</u>	<u>Daily Rate</u>	<u>Nonrecurring Charge</u>
- AP1 (200 to 3500 Hz)	\$20.00	\$1.50	\$250.51
- AP2 (100 to 5000 Hz)	\$25.00	\$2.50	\$250.51
- AP3 ( 50 to 8000 Hz)	\$8.63	\$2.67	\$250.51
- AP4 ( 50 to 15000 Hz)	\$33.52	\$4.06	\$250.51
- Grandfathered Market			\$200.41

(B) Channel Mileage

<u>AP1 (200 to 3500 Hz)</u> <u>Mileage Bands</u>	<u>Monthly Rate</u>		<u>Daily Rate</u>	
	<u>Fixed</u>	<u>Per Mile</u>	<u>Fixed</u>	<u>Per Mile</u>
0	None	None	None	None
Over 0	\$13.80	\$1.84	\$1.40	\$0.15

<u>AP2 (100 to 5000 Hz)</u> <u>Mileage Bands</u>	<u>Monthly Rate</u>		<u>Daily Rate</u>	
	<u>Fixed</u>	<u>Per Mile</u>	<u>Fixed</u>	<u>Per Mile</u>
0	None	None	None	None
Over 0	\$20.70	\$2.55	\$1.80	\$0.40

<u>AP3 (50 to 8000 Hz)</u> <u>Mileage Bands</u>	<u>Monthly Rate</u>		<u>Daily Rate</u>	
	<u>Fixed</u>	<u>Per Mile</u>	<u>Fixed</u>	<u>Per Mile</u>
0	None	None	None	None
Over 0	\$12.42	\$2.89	\$2.00	\$0.55

<u>AP4 (50 to 15000 Hz)</u> <u>Mileage Bands</u>	<u>Monthly Rate</u>		<u>Daily Rate</u>	
	<u>Fixed</u>	<u>Per Mile</u>	<u>Fixed</u>	<u>Per Mile</u>
0	None	None	None	None
Over 0	\$31.05	\$4.96	\$3.00	\$1.00

ACCESS SERVICE

---

24. Metropolitan Statistical Area Access Services (Cont'd)

24.5 Rates and Charges (Cont'd)

24.5.2 Special Access Services (Cont'd)

24.5.2.3 Program Audio Special Access Service (Cont'd)

(C) Optional Features and Functions

	<u>Monthly Rate</u>	<u>Daily Rate</u>	<u>Nonrecurring Charge</u>
- AP1 (200 to 3500 Hz)	\$20.00	\$1.50	\$250.51
- Grandfathered Market			\$200.41
Bridging			
Per distribution amplifier port	\$11.09	\$1.13	None
Gain Conditioning			
Per service	\$23.40	\$2.34	\$262.56
- Grandfathered Market			\$210.05
Stereo			
Per service	\$30.25	\$3.01	\$297.04
- Grandfathered Market			\$237.63

ACCESS SERVICE

24. Metropolitan Statistical Area Access Services (Cont'd)

24.5 Rates and Charges (Cont'd)

24.5.2 Special Access Services (Cont'd)

24.5.2.4 Video Special Access Service

(A) Video Service

	<u>Monthly Rate</u>	<u>Daily Rate</u>	<u>Nonrecurring Charge</u>
- AP1 (200 to 3500 Hz)	\$20.00	\$1.50	\$250.51
- Grandfathered Market			\$200.41

(1) Channel Terminations

- Per Point of Termination

	<u>Monthly Rate</u>	<u>Daily Rate</u>	<u>Nonrecurring Charge</u>
- Broadcast Video	\$400.95	\$200.00	\$312.50
- Grandfathered Market			\$250.00
- Multichannel Video Service <sup>(1)</sup>			
First Four Channels	\$1,000.00	\$780.00	\$0.00
Additional Four Channels	\$350.00	\$280.00	\$0.00

(2) Channel Mileage - Recurring Rates by Mileage Band

- Broadcast Video

<u>Mileage Bands</u>	<u>Monthly Rate</u>		<u>Daily Rate</u>	
	<u>Fixed</u>	<u>Per Mile</u>	<u>Fixed</u>	<u>Per Mile</u>
0	None	None	None	None
Over 0	\$0.00	\$35.00	\$0.00	\$25.00

- Multichannel Video Service<sup>(1)</sup>

<u>Mileage Bands</u>	<u>Monthly Rate</u>		<u>3 Year Rate</u>	
	<u>Fixed</u>	<u>Per Mile</u>	<u>Fixed</u>	<u>Per Mile</u>
0	None	None	None	None
Over 0	\$0.00	\$35.00	\$0.00	\$28.00

(B)

<sup>(1)</sup> Effective August 25, 2011, MVS is no longer available to new customers. There is no change for existing customers.

ACCESS SERVICE

---

24. Metropolitan Statistical Area Access Services (Cont'd)

24.5 Rates and Charges (Cont'd)

24.5.2 Special Access Services (Cont'd)

24.5.2.4 Video Special Access Service (Cont'd)

(C) Optional Features & Functions

	<u>Monthly Rate</u>	<u>Daily Rate</u>	<u>NRC</u>
<u>Video Switching Arrangements</u>			
- Per Broadcast Port	\$30.00	\$30.00	None
- Switch Capability			
- per Virtual Switch	\$50.00	\$50.00	None
 <u>Video Bridging Arrangement</u>			
- Per Broadcast Port		\$75.00	None
	<u>Monthly Rate</u>	<u>3 Year Rate</u>	<u>NRC</u>
 <u>MVS WDM Feature</u>	\$70.00	\$55.00	None
 <u>MVS Bridging</u>			
- Per Port	\$20.00	\$14.00	None
 <u>MVS Repeater</u>	\$600.00	\$460.00	None

---



ACCESS SERVICE

24. Metropolitan Statistical Area Access Services (Cont'd)

24.5 Rates and Charges (Cont'd)

24.5.2 Special Access Services (Cont'd)

24.5.2.5 Digital Data Special Access Service

(A) Channel Terminations

Per point of termination

	<u>Monthly Rates</u>	<u>Nonrecurring Charges</u>	
- DA1 (2.4 kbps)	\$2,659.39	\$21,197.90	(C)
- DA2 (4.8 kbps)	\$2,659.39	\$21,197.90	
- DA3 (9.6 kbps)	\$2,659.39	\$21,197.90	
- DA4 (56.0 kbps)	\$3,723.09	\$21,197.90	
- DA6 (64.0 kbps)	\$3,723.09	\$21,197.90	
- Grandfathered Market		\$16,958.32	

	<u>1 Year #</u>	<u>3 Year #</u>	<u>5 Year #</u>	<u>Nonrecurring Charges</u>	
<u>Optional Payment Plans</u>					
- DA4 (56.0 kbps)	\$2,278.99	\$1,119.07	\$707.51	\$22,308.19	(C)
- DA6 (64.0 kbps)	\$2,278.99	\$1,119.07	\$707.51	\$22,308.19	
- Grandfathered Market				\$17,846.64	

Disconnect Non-Recurring Charge – per Circuit All Speeds \$975.00

# Effective November 19, 2021, Term Pricing Plans and/or Optional Payment Plans are no longer permitted. A Term Pricing Plan and/or Optional Payment Plan in effect as of November 19, 2021 may continue the existing term but will not be eligible to extend, renew, reenroll in, convert to a new term period, or in any other way continue their existing plan beyond its current expiration. At expiration of the term the service will convert to the Month to Month Rate. If at any time an existing customer terminates its Term Pricing Plan and/or Optional Payment Plan, the customer may not re-subscribe to the plan

ACCESS SERVICE

24. Metropolitan Statistical Area Access Services (Cont'd)

24.5 Rates and Charges (Cont'd)

24.5.2 Special Access Services (Cont'd)

24.5.2.5 Digital Data Special Access Service (Cont'd)

(B) Channel Mileage - Monthly Rates – All DDS Services

<u>Mileage Bands</u>	<u>All DDS Services</u>	
	<u>Fixed</u>	<u>Per Mile</u>
0	None	None
Over 0	\$1,418.35	\$54.94

(C)

Disconnect Non-Recurring Charge – per Circuit \$975.00

Optional Payment Plans:

<u>Mileage Bands</u>	<u>1 Year #</u>			
	<u>DA4 (56.0 kbps)</u>		<u>DA6 (64.0 kbps)</u>	
	<u>Fixed</u>	<u>Per Mile</u>	<u>Fixed</u>	<u>Per Mile</u>
0	None	None	None	None
Over 0	\$25.00	\$1.00	\$25.00	\$1.00

<u>Mileage Bands</u>	<u>3 Year #</u>			
	<u>DA4 (56.0 kbps)</u>		<u>DA6 (64.0 kbps)</u>	
	<u>Fixed</u>	<u>Per Mile</u>	<u>Fixed</u>	<u>Per Mile</u>
0	None	None	None	None
Over 0	\$15.00	\$0.80	\$15.00	\$0.80

<u>Mileage Bands</u>	<u>5 Year #</u>			
	<u>DA4 (56.0 kbps)</u>		<u>DA6 (64.0 kbps)</u>	
	<u>Fixed</u>	<u>Per Mile</u>	<u>Fixed</u>	<u>Per Mile</u>
0	None	None	None	None
Over 0	\$10.00	\$0.70	\$10.00	\$0.70

# Service Offer is limited. See footnote on page 24-2

ACCESS SERVICE

---

24. Metropolitan Statistical Area Access Services (Cont'd)

24.5 Rates and Charges (Cont'd)

24.5.2 Special Access Services (Cont'd)

24.5.2.5 Digital Data Special Access Service (Cont'd)

(C) Optional Features and Functions

	<u>Monthly Rates</u>	<u>Nonrecurring Charges</u>	
Bridging, Per port	\$27.92	None	
	<u>Monthly Rate</u>	<u>Nonrecurring Charge Initial</u>	<u>Subsequent</u>
Secondary Channel Capability			
- Per point of termination	\$11.15	\$11.25	\$415.00
- Grandfathered Market		\$ 9.00	\$332.00

ACCESS SERVICE

24. Metropolitan Statistical Area Access Services (Cont'd)

24.5 Rates and Charges (Cont'd)

24.5.2 Special Access Services (Cont'd)

24.5.2.6 High Capacity Special Access Service

(A) Standard Channel Termination

Per point of termination

		Monthly Rates	Nonrecurring Charges	
DS1 (1.544 Mbps)				(C)
Month to Month #	All Zones	\$5,488.34	\$22,122.90	
	Grandfathered Market		\$17,698.32	
1 YR-OPP Plan #				
DS1 (1.544 Mbps)	All Zones	\$4,533.86	\$22,122.90	
	Grandfathered Market		\$17,698.32	
3 YR-OPP Plan #				
DS1 (1.544 Mbps)	All Zones	\$2,821.98	\$22,122.90	
	Grandfathered Market		\$17,698.32	
5 YR-OPP Plan #				
DS1 (1.544 Mbps)	All Zones	\$1,717.24	\$22,122.90	
	Grandfathered Market		\$17,698.32	
Disconnect Non-Recurring Charge – per Circuit			\$975.00	
-	Re-termination to Expanded Interconnection DS1 cross-connect	N/A	\$7,284.37	(C)
-	Grandfathered Market		\$5,827.49	(C)

# Effective November 19, 2021, Optional Payment Plans (OPPs) are no longer permitted. Optional Payment Plans in effect as of November 19, 2021 may continue the existing term but will not be eligible to extend, renew, reenroll in, convert to a new term period, or in any other way continue their existing plan beyond its current expiration. At expiration of the term the service will convert to the Month to Month Rate. If at any time an existing customer terminates its Optional Payment Plan, the customer may not re-subscribe to the plan.

ACCESS SERVICE

24. Metropolitan Statistical Area Access Services (Cont'd)

24.5 Rates and Charges (Cont'd)

24.5.2 Special Access Services (Cont'd)

24.5.2.6 High Capacity Special Access Service (Cont'd)

(A) Standard Channel Termination (Cont'd)

Per point of termination

		<u>Monthly Rates</u>	<u>Nonrecurring Charges</u>	
<u>Month to Month Service</u>				
Fractional DS1 (128 Kbps)	All Zones	\$3,700.02	\$23,124.99	(C)
	Grandfathered Market		\$18,499.98	
Fractional DS1 (256 Kbps)	All Zones	\$4,008.34	\$23,124.99	(C)
	Grandfathered Market		\$18,499.98	
Fractional DS1 (384 Kbps)	All Zones	\$4,316.68	\$23,124.99	(C)
	Grandfathered Market		\$18,499.98	
Fractional DS1 (512 Kbps)	All Zones	\$4,316.68	\$23,124.99	(C)
	Grandfathered Market		\$18,499.98	
Fractional DS1 (768 Kbps)	All zones	\$4,316.68	\$23,124.99	(C)
	Grandfathered Market		\$18,499.98	
Disconnect Non-Recurring Charge – per Circuit		\$975.00		

---

ACCESS SERVICE

---

24. Metropolitan Statistical Area Access Services (Cont'd)

24.5 Rates and Charges (Cont'd)

24.5.2 Special Access Services (Cont'd)

24.5.2.6 High Capacity Special Access Service (Cont'd)

(A) Standard Channel Termination (Cont'd)  
Per point of termination

1-Year OPP Plan # Not Available

(C)

# Effective November 19, 2021, Optional Payment Plans (OPPs) are no longer permitted. Optional Payment Plans in effect as of November 19, 2021 may continue the existing term but will not be eligible to extend, renew, reenroll in, convert to a new term period, or in any other way continue their existing plan beyond its current expiration. At expiration of the term the service will convert to the Month to Month Rate. If at any time an existing customer terminates its Optional Payment Plan, the customer may not re-subscribe to the plan.

---

ACCESS SERVICE

---

24. Metropolitan Statistical Area Access Services (Cont'd)

24.5 Rates and Charges (Cont'd)

24.5.2 Special Access Services (Cont'd)

24.5.2.6 High Capacity Special Access Service (Cont'd)

(A) Standard Channel Termination (Cont'd)  
Per point of termination

3-Year OPP Plan # Not Available

(C)

# Effective November 19, 2021, Optional Payment Plans (OPPs) are no longer permitted. Optional Payment Plans in effect as of November 19, 2021 may continue the existing term but will not be eligible to extend, renew, reenroll in, convert to a new term period, or in any other way continue their existing plan beyond its current expiration. At expiration of the term the service will convert to the Month to Month Rate. If at any time an existing customer terminates its Optional Payment Plan, the customer may not re-subscribe to the plan.

---

ACCESS SERVICE

---

24. Metropolitan Statistical Area Access Services (Cont'd)

24.5 Rates and Charges (Cont'd)

24.5.2 Special Access Services (Cont'd)

24.5.2.6 High Capacity Special Access Service (Cont'd)

(A) Standard Channel Termination (Cont'd)  
Per point of termination

5-Year OPP Plan # Not Available

(C)

# Effective November 19, 2021, Optional Payment Plans (OPPs) are no longer permitted. Optional Payment Plans in effect as of November 19, 2021 may continue the existing term but will not be eligible to extend, renew, reenroll in, convert to a new term period, or in any other way continue their existing plan beyond its current expiration. At expiration of the term the service will convert to the Month to Month Rate. If at any time an existing customer terminates its Optional Payment Plan, the customer may not re-subscribe to the plan.



ACCESS SERVICE

24. Metropolitan Statistical Area Access Services (Cont'd)

24.5 Rates and Charges (Cont'd)

24.5.2 Special Access Services (Cont'd)

24.5.2.6 High Capacity Special Access Service (Cont'd)

(A) Standard Channel Termination (Cont'd)

Per point of termination

		<u>Monthly Rates</u>	<u>Nonrecurring Charges</u>	
Month-to-Month #				
DS3 (44.736 Mbps)	All Zones	\$89,416.57	\$68,425.57	(C)
	Grandfathered Market		\$54,740.49	
Monthly Extension Rates #	All Zones - Not Available			
1-Year OPP Plan #				
DS3 (44.736 Mbps)	All Zones	\$67,028.95	\$68,425.57	(C)
	Grandfathered Market		\$54,740.49	
3-Year OPP Plan #				
DS3 (44.736 Mbps)	All Zones	\$21,449.23	\$68,425.57	(C)
	Grandfathered Market		\$54,740.49	
5-Year OPP Plan #				
DS3 (44.736 Mbps)	All Zones	\$12,863.14	\$68,425.57	(C)
	Grandfathered Market		\$54,740.49	
Disconnect Non-Recurring Charge – per Circuit			\$975.00	
-	Re-termination to Expanded Interconnection DS3 cross-connect	N/A	\$9,327.05	(C)
-	Grandfathered Market		\$7,461.64	(C)

# Effective November 19, 2021, Optional Payment Plans (OPPs) are no longer permitted. Optional Payment Plans in effect as of November 19, 2021 may continue the existing term but will not be eligible to extend, renew, reenroll in, convert to a new term period, or in any other way continue their existing plan beyond its current expiration. At expiration of the term the service will convert to the Month to Month Rate. If at any time an existing customer terminates its Optional Payment Plan, the customer may not re-subscribe to the plan. In addition the DS3 Month-to-Month rate is readded and the DS3 Monthly Extension Rate is removed.

ACCESS SERVICE

---

24. Metropolitan Statistical Area Access Services (Cont'd)

24.5 Rates and Charges (Cont'd)

24.5.2 Special Access Services (Cont'd)

24.5.2.6 High Capacity Special Access Service (Cont'd)

(A) Standard Channel Termination (Cont'd)

Per point of termination

Rollover Charges:

Per DS1 rearrangement<sup>(2)</sup>

All Zones	\$4,709.22	(C)
Grandfathered Market	\$3,767.19	

Per DS3 rearrangement

All Zones	\$7,130.20	
Grandfathered Market	\$5,704.14	(C)

<sup>(2)</sup> If a test of DS0 circuits that connect to the DS1 circuit is requested at the time of rollover, then a rearrangement charge per DS0 circuit tested will apply.

---

ACCESS SERVICE

---

24. Metropolitan Statistical Area Access Services (Cont'd)

24.5 Rates and Charges (Cont'd)

24.5.2 Special Access Services (Cont'd)

24.5.2.6 High Capacity Special Access Service (Cont'd): Reserved for Future Use

(C)

ACCESS SERVICE

24. Metropolitan Statistical Area Access Services (Cont'd)

24.5 Rates and Charges (Cont'd)

24.5.2 Special Access Services (Cont'd)

24.5.2.6 High Capacity Special Access Service (Cont'd)

(B) Channel Mileage

<u>Mileage Bands</u>	<u>DS1 (1.544 Mbps) All Zones</u>			
	<u>Month to Month Rate</u>		<u>1 YR OPP #</u>	
	<u>Fixed</u>	<u>Per Mile</u>	<u>Fixed</u>	<u>Per Mile</u>
0	None	None	None	None
Over 0	\$2,620.86	\$678.34	\$2,165.05	\$560.40

<u>Mileage Bands</u>	<u>DS1 (1.544 Mbps) All Zones</u>			
	<u>3 YR OPP #</u>		<u>5 YR OPP #</u>	
	<u>Fixed</u>	<u>Per Mile</u>	<u>Fixed</u>	<u>Per Mile</u>
0	None	None	None	None
Over 0	\$1,347.59	\$348.81	\$820.03	\$212.25

	<u>Monthly</u>		
	<u>Fixed</u>	<u>Per Mile</u>	
Fractional DS1 (128 Kbps)			
	<u>Mileage Bands</u>		
All Zones	0	None	None
	Over 0	\$2,312.52	\$293.07

	<u>Monthly</u>		
	<u>Fixed</u>	<u>Per Mile</u>	
Fractional DS1 (256 Kbps)			
	<u>Mileage Bands</u>		
All Zones	0	None	None
	Over 0	\$2,312.52	\$410.23

Disconnect Non-Recurring Charge – per Circuit \$975.00

# Effective November 19, 2021, Optional Payment Plans (OPPs) are no longer permitted. Optional Payment Plans in effect as of November 19, 2021 may continue the existing term but will not be eligible to extend, renew, reenroll in, convert to a new term period, or in any other way continue their existing plan beyond its current expiration. At expiration of the term the service will convert to the Month to Month Rate. If at any time an existing customer terminates its Optional Payment Plan, the customer may not re-subscribe to the plan.

ACCESS SERVICE

24. Metropolitan Statistical Area Access Services (Cont'd)

24.5 Rates and Charges (Cont'd)

24.5.2 Special Access Services (Cont'd)

24.5.2.6 High Capacity Special Access Service (Cont'd)

(B) Channel Mileage (Cont'd)

		<u>Fixed</u>	<u>Monthly</u> <u>Per Mile</u>	
Fractional DS1 (384 Kbps)				
	<u>Mileage Bands</u>			
All Zones	0	None	None	
	Over 0	\$2,312.52	\$527.41	(C)
Fractional DS1 (512 Kbps)				
	<u>Mileage Bands</u>			
All Zones	0	None	None	
	Over 0	\$2,312.52	\$527.41	
Fractional DS1 (768 Kbps)				
	<u>Mileage Bands</u>			
All Zones	0	None	None	
	Over 0	\$2,312.52	\$527.41	(C)
Disconnect Non-Recurring Charge – per Circuit			\$975.00	

ACCESS SERVICE

---

24. Metropolitan Statistical Area Access Services (Cont'd)

24.5 Rates and Charges (Cont'd)

24.5.2 Special Access Services (Cont'd)

24.5.2.6 High Capacity Special Access Service (Cont'd)

(B) Channel Mileage (Cont'd)

1-Year OPP Plan #      Not Available

(C)

# Effective November 19, 2021, Fractional DS1 Optional Payment Plans (OPPs) are no longer permitted. Fractional DS1 Optional Payment Plans in effect as of November 19, 2021 may continue the existing term but will not be eligible to extend, renew, reenroll in, convert to a new term period, or in any other way continue their existing plan beyond its current expiration. At expiration of the term the service will convert to the Month to Month Rate. If at any time an existing customer terminates its Fractional DS1 Optional Payment Plan, the customer may not re-subscribe to the plan.

ACCESS SERVICE

---

24. Metropolitan Statistical Area Access Services (Cont'd)

24.5 Rates and Charges (Cont'd)

24.5.2 Special Access Services (Cont'd)

24.5.2.6 High Capacity Special Access Service (Cont'd)

(B) Channel Mileage (Cont'd)

1-Year OPP Plan # Not Available

(C)

# Effective November 19, 2021, Fractional DS1 Optional Payment Plans (OPPs) are no longer permitted. Fractional DS1 Optional Payment Plans in effect as of November 19, 2021 may continue the existing term but will not be eligible to extend, renew, reenroll in, convert to a new term period, or in any other way continue their existing plan beyond its current expiration. At expiration of the term the service will convert to the Month to Month Rate. If at any time an existing customer terminates its Fractional DS1 Optional Payment Plan, the customer may not re-subscribe to the plan.

---

ACCESS SERVICE

---

24. Metropolitan Statistical Area Access Services (Cont'd)

24.5 Rates and Charges (Cont'd)

24.5.2 Special Access Services (Cont'd)

24.5.2.6 High Capacity Special Access Service (Cont'd)

(B) Channel Mileage (Cont'd)

3-Year OPP Plan # Not Available

(C)

# Effective November 19, 2021, Fractional DS1 Optional Payment Plans (OPPs) are no longer permitted. Fractional DS1 Optional Payment Plans in effect as of November 19, 2021 may continue the existing term but will not be eligible to extend, renew, reenroll in, convert to a new term period, or in any other way continue their existing plan beyond its current expiration. At expiration of the term the service will convert to the Month to Month Rate. If at any time an existing customer terminates its Fractional DS1 Optional Payment Plan, the customer may not re-subscribe to the plan.



---

ACCESS SERVICE

---

24. Metropolitan Statistical Area Access Services (Cont'd)

24.5 Rates and Charges (Cont'd)

24.5.2 Special Access Services (Cont'd)

24.5.2.6 High Capacity Special Access Service (Cont'd)

(B) Channel Mileage (Cont'd)

3-Year OPP Plan # Not Available

(C)

# Effective November 19, 2021, Fractional DS1 Optional Payment Plans (OPPs) are no longer permitted. Fractional DS1 Optional Payment Plans in effect as of November 19, 2021 may continue the existing term but will not be eligible to extend, renew, reenroll in, convert to a new term period, or in any other way continue their existing plan beyond its current expiration. At expiration of the term the service will convert to the Month to Month Rate. If at any time an existing customer terminates its Fractional DS1 Optional Payment Plan, the customer may not re-subscribe to the plan.

---

ACCESS SERVICE

---

24. Metropolitan Statistical Area Access Services (Cont'd)

24.5 Rates and Charges (Cont'd)

24.5.2 Special Access Services (Cont'd)

24.5.2.6 High Capacity Special Access Service (Cont'd)

(B) Channel Mileage (Cont'd)

5-Year OPP Plan # Not Available

(C)

# Effective November 19, 2021, Fractional DS1 Optional Payment Plans (OPPs) are no longer permitted. Fractional DS1 Optional Payment Plans in effect as of November 19, 2021 may continue the existing term but will not be eligible to extend, renew, reenroll in, convert to a new term period, or in any other way continue their existing plan beyond its current expiration. At expiration of the term the service will convert to the Month to Month Rate. If at any time an existing customer terminates its Fractional DS1 Optional Payment Plan, the customer may not re-subscribe to the plan.

---

ACCESS SERVICE

---

24. Metropolitan Statistical Area Access Services (Cont'd)

24.5 Rates and Charges (Cont'd)

24.5.2 Special Access Services (Cont'd)

24.5.2.6 High Capacity Special Access Service (Cont'd)

(B) Channel Mileage (Cont'd)

5-Year OPP Plan # Not Available

(C)

# Effective November 19, 2021, Fractional DS1 Optional Payment Plans (OPPs) are no longer permitted. Fractional DS1 Optional Payment Plans in effect as of November 19, 2021 may continue the existing term but will not be eligible to extend, renew, reenroll in, convert to a new term period, or in any other way continue their existing plan beyond its current expiration. At expiration of the term the service will convert to the Month to Month Rate. If at any time an existing customer terminates its Fractional DS1 Optional Payment Plan, the customer may not re-subscribe to the plan.

---

ACCESS SERVICE

---

24. Metropolitan Statistical Area Access Services (Cont'd)

24.5 Rates and Charges (Cont'd)

24.5.2 Special Access Services (Cont'd)

24.5.2.6 High Capacity Special Access Service (Cont'd): Reserved for Future Use (C)

ACCESS SERVICE

24. Metropolitan Statistical Area Access Services (Cont'd)

24.5 Rates and Charges (Cont'd)

24.5.2 Special Access Services (Cont'd)

24.5.2.6 High Capacity Special Access Service (Cont'd)

(B) Channel Mileage (Cont'd)

DS3 (44.736 Mbps) All Zones

Monthly to Month Rate #

<u>Mileage Bands</u>	<u>Fixed</u>	<u>Per Mile</u>
0	None	None
Over 0	\$27,749.96	\$3,607.50

1 YR OPP #

3 YR OPP #

<u>Mileage Bands</u>	<u>Fixed</u>	<u>Per Mile</u>	<u>Fixed</u>	<u>Per Mile</u>
0	None	None	None	None
Over 0	\$20,108.66	\$2,144.90	\$10,258.32	\$1,305.61

5 YR OPP #

<u>Mileage Bands</u>	<u>Fixed</u>	<u>Per Mile</u>
0	None	None
Over 0	\$6,431.55	\$578.84

Disconnect Non-Recurring Charge – per Circuit      \$975.00

# Effective November 19, 2021, DS3 Optional Payment Plans (OPPs) are no longer permitted. DS3 Optional Payment Plans in effect as of November 19, 2021 may continue the existing term but will not be eligible to extend, renew, reenroll in, convert to a new term period, or in any other way continue their existing plan beyond its current expiration. At expiration of the term the service will convert to the Month to Month Rate. If at any time an existing customer terminates its DS3 Optional Payment Plan, the customer may not re-subscribe to the plan. In addition, the DS3 Month-to-Month rate is re-added and the Monthly Extension Rate is removed.

ACCESS SERVICE

24. Metropolitan Statistical Area Access Services (Cont'd)

24.5 Rates and Charges (Cont'd)

24.5.2 Special Access Services (Cont'd)

24.5.2.6 High Capacity Special Access Service (Cont'd)

(C) Optional Features and Functions

Multiplexing

Per arrangement

		<u>Monthly Rates</u>	<u>Nonrecurring Charges</u>	
DS3 to DS1 Monthly*	All Zones	\$27,749.96	None	(C)
DS3 to DS1 Monthly Extension	All Zones	\$27,749.96	None	
DS3 to DS1 1 Year Plan	All Zones	\$20,108.66	None	
DS3 to DS1 3 Year Plan	All Zones	\$10,258.32	None	
DS3 to DS1 5 Year Plan	All Zones	\$6,431.55	None	(C)

\* This option will no longer be available for new circuits provisioned on or after, December 19, 2003.

ACCESS SERVICE

24. Metropolitan Statistical Area Access Services (Cont'd)

24.5 Rates and Charges (Cont'd)

24.5.2 Special Access Services (Cont'd)

24.5.2.6 High Capacity Special Access Service (Cont'd)

(C) Optional Features and Functions (Cont'd)

Multiplexing (Cont'd)  
Per arrangement

		Monthly Rates	Nonrecurring Charges	
DS1 to Voice* Monthly	All Zones	\$6,320.84	None	(C)
DS1 to Voice* 1 Year Plan #	All Zones	\$5,221.54	None	
DS1 to Voice* 3 Year Plan #	All Zones	\$3,250.04	None	
DS1 to Voice* 5 Year Plan #	All Zones	\$1,977.73	None	(C)
<u>Clear Channel Capability</u>				
Per 1.544 Mbps High Capacity Service				
- Installed coincident with the initial installation of service				
	All Zones	None	None	
- Installed subsequent to the installation of service				
	All Zones	None	\$7,719.13	(C)

\* A channel of this DS1 to the Hub can be used for a Digital Data or Program Audio Service.

# 1, 3 and 5 Year Plan rates are not available for new circuits. When an existing term expires the rate will transition to the Monthly Rate.

ACCESS SERVICE

---

24. Metropolitan Statistical Area Access Services (Cont'd)

24.5 Rates and Charges (Cont'd)

24.5.2 Special Access Services (Cont'd)

24.5.2.6 High Capacity Special Access Service (Cont'd)

(C) Optional Features and Functions (Cont'd)

	<u>Monthly Rates</u>	<u>Nonrecurring Charges</u>
<u>Enhanced Access Diversity EAD</u>		
DS1 Option 1 - Zone 1	\$12.00	None
- Zone 2	\$12.00	None
- Zone 3	\$12.00	None
DS1 Option 2 - Zone 1	\$12.00	None
- Zone 2	\$12.00	None
- Zone 3	\$12.00	None
DS1 Option 3 - Zone 1	\$12.00	None
- Zone 2	\$12.00	None
- Zone 3	\$12.00	None
DS3 Option 1 - Zone 1	\$12.00	None
- Zone 2	\$12.00	None
- Zone 3	\$12.00	None
DS3 Option 2 - Zone 1	\$12.00	None
- Zone 2	\$12.00	None
- Zone 3	\$12.00	None
DS3 Option 3 - Zone 1	\$12.00	None
- Zone 2	\$12.00	None
- Zone 3	\$12.00	None



ACCESS SERVICE

24. Metropolitan Statistical Area Access Services (Cont'd)

24.5 Rates and Charges (Cont'd)

24.5.2 Special Access Services (Cont'd)

24.5.2.6 High Capacity Special Access Service (Cont'd)

(C) Optional Features and Functions (Cont'd)

	<u>Monthly Rates</u>	<u>Nonrecurring Charges</u>
<u>Enhanced Access Diversity EAD</u>		
DS1 Option 1                      Zone 1	\$12.00	None
<u>Network Reconfiguration Service (NRS)</u>		
- Per DS1 Termination (1.544) per Port on DCD	ICB	ICB
<u>Network Controller Access</u>		
- Dial-Up with Automatic Callback	ICB	ICB
- Dedicated	ICB	ICB
<u>Shared Network Arrangement</u>		
- Processing Charge per service order	None	\$56.48
<u>DSO Multiplexer Cross-Connection</u>		
DSO to DSO Cross-Connection - per DS0 Cross Connect per Central Office	None	\$103.00

ICB rates and charges are filed in Section 16.

\* Omission Correction - Page 24-46.1 was omitted in error at detariff.  
Rates are Effective December 2, 2018.

ACCESS SERVICE

24. Metropolitan Statistical Area Access Services (Cont'd)

24.5 Rates and Charges (Cont'd)

24.5.2 Special Access Services (Cont'd)

24.5.2.6 High Capacity Special Access Service (Cont'd)

(D) Collocation Transport

	Monthly Rate		Nonrecurring Charges		
	Fixed	Per Mile	1st Ckt.	Addl Ckt.	
<u>1.544 Mbps</u>					
Month to Month	\$79.20	\$19.40	\$1,110.00	\$615.81	
1-Year OPP #	\$75.24	\$18.43	\$1,110.00	\$615.81	(C)
3-Year OPP #	\$67.32	\$16.49	\$1,110.00	\$615.81	(C)
5-Year OPP #	\$59.40	\$14.55	\$1,110.00	\$615.81	(C)
					(C)
<u>44.736 Mbps</u>					
Monthly to Month #	\$930.00	\$117.00	\$1,800.00	\$1,800.00	(D)
1-Year OPP #	\$750.00	\$80.00	\$1,800.00	\$1,800.00	(C)
3-Year OPP #	\$660.00	\$78.00	\$900.00	\$900.00	(C)
5-Year OPP #	\$605.00	\$74.00	\$0.00	\$0.00	(C)

# Effective November 19, 2021, Optional Payment Plans (OPPs) are no longer permitted. (N)  
 Optional Payment Plans in effect as of November 19, 2021 may continue the existing term but will not be eligible to extend, renew, reenroll in, convert to a new term period, or in any other way continue their existing plan beyond its current expiration. At expiration of the term the service will convert to the Month to Month Rate. If at any time an existing customer terminates its Optional Payment Plan, the customer may not re-subscribe to the plan. In addition, the 44.736 Mbps Month-to-Month rate is re-added and the 44.736 Mbps Monthly Extension Rate is removed.

## ACCESS SERVICE

24. Metropolitan Statistical Area Access Services (Cont'd)24.6 Wire Center Information24.6.1 MSAs with Limited Service Relief

<u>State</u>	<u>Wire Center CLLI</u>	<u>MSA Name</u>
CT	BRFDCT00	Bridgeport
CT	BRPTCT01	Bridgeport
CT	BRPTCT03	Bridgeport
CT	DARNCT00	Bridgeport
CT	DNBRCT00	Bridgeport
CT	FRFDCT00	Bridgeport
CT	GRTWCT00	Bridgeport
CT	HNTNCT00	Bridgeport
CT	NRWLCT02	Bridgeport
CT	NRWLCT03	Bridgeport
CT	NWCNCT00	Bridgeport
CT	NWFLCT00	Bridgeport
CT	NWTWCT00	Bridgeport
CT	OGNWCT00	Bridgeport
CT	RDFDCT00	Bridgeport
CT	RDNGCT00	Bridgeport
CT	SMFRCT01	Bridgeport
CT	SMFRCT02	Bridgeport
CT	SRFRCT00	Bridgeport
CT	TMBLCT00	Bridgeport
CT	WLTOCT00	Bridgeport
CT	WSPTCT00	Bridgeport
CT	BRFRCT00	New Haven
CT	BTHNCT00	New Haven
CT	CHSHCT01	New Haven
CT	DRBYCT00	New Haven
CT	EHVNCT00	New Haven
CT	GUFDCT00	New Haven
CT	HMDNCT00	New Haven
CT	MDLBCT00	New Haven
CT	MDSNCT01	New Haven
CT	MDSNCT02	New Haven
CT	MLFRCT00	New Haven
CT	MRDNCT00	New Haven
CT	MRDNCT04	New Haven

## ACCESS SERVICE

24. Metropolitan Statistical Area Access Services (Cont'd)24.6 Wire Center Information (Cont'd)24.6.1 MSAs with Limited Service Relief (Cont'd)

<u>State</u>	<u>Wire Center CLLI</u>	<u>MSA Name</u>
CT	NBFRCT00	New Haven
CT	NGTCCT00	New Haven
CT	NHVNCT00	New Haven
CT	NWHNCT02	New Haven
CT	NWHNCT03	New Haven
CT	ORNGCT00	New Haven
CT	PRSPCT00	New Haven
CT	SOBYCT04	New Haven
CT	SYMRCT00	New Haven
CT	WLCTCT00	New Haven
CT	WLFRCCT00	New Haven
CT	WSHNCT00	New Haven
CT	WSTVCT00	New Haven
CT	WTRBCT00	New Haven
CT	BLTCCT00	New London
CT	CLCHCT00	New London
CT	GRTNCT00	New London
CT	JWCYCT00	New London
CT	LBNNCT00	New London
CT	LDYRCT00	New London
CT	LYMECT01	New London
CT	MTVLCT00	New London
CT	MYSTCT00	New London
CT	NINTCT00	New London
CT	NRWCCT00	New London
CT	NWLNCT02	New London
CT	SGTNCT00	New London

## ACCESS SERVICE

24. Metropolitan Statistical Area Access Services (Cont'd)24.6 Wire Center Information (Cont'd)24.6.2 MSAs with Full Service Relief

<u>State</u>	<u>Wire Center CLLI</u>	<u>MSA Name</u>
CT	BLFDCT00	Hartford
CT	BRLNCT00	Hartford
CT	BRSTCT00	Hartford
CT	CLMACT00	Hartford
CT	CLTNCT00	Hartford
CT	CNTNCT00	Hartford
CT	CNTYCT00	Hartford
CT	CRWLCT00	Hartford
CT	DPRVCT00	Hartford
CT	DRHMCT00	Hartford
CT	EHRTCT01	Hartford
CT	EHRTCT02	Hartford
CT	EHTNCT00	Hartford
CT	ENFDCT01	Hartford
CT	ENFDCT02	Hartford
CT	ESSXCT00	Hartford
CT	FRTNCT00	Hartford
CT	GLBYCT00	Hartford
CT	GRNBCT00	Hartford
CT	HGNMCT00	Hartford
CT	HRFRCT03	Hartford
CT	MDTWCT00	Hartford
CT	MNCHCT00	Hartford
CT	MODSCT00	Hartford
CT	MRLBCT00	Hartford
CT	NWBRCT00	Hartford
CT	NWNTCT00	Hartford

## ACCESS SERVICE

24. Metropolitan Statistical Area Access Services (Cont'd)24.6 Wire Center Information (Cont'd)24.6.2 MSAs with Full Service Relief (Cont'd)

<u>State</u>	<u>Wire Center CLLI</u>	<u>MSA Name</u>
CT	OLSYCT00	Hartford
CT	PLVLCT00	Hartford
CT	PTLDCT00	Hartford
CT	RKVLCT00	Hartford
CT	SFFDCT00	Hartford
CT	SMBYCT00	Hartford
CT	STRSCT01	Hartford
CT	STSPCT00	Hartford
CT	STTNCT00	Hartford
CT	UNVLCT00	Hartford
CT	WHFRCT01	Hartford
CT	WHFRCT02	Hartford
CT	WLKSCT00	Hartford
CT	WNSDCT00	Hartford
CT	WPNCT00	Hartford
CT	WSBKCT00	Hartford
CT	WTFDCT00	Hartford

---

ACCESS SERVICE

---

25. RESERVED FOR FUTURE USE (C)

Previous Pricing Flexibility Offers:

Because the Service Offers made under Contract Offers Nos. 1 through 49, 51 through 53, and 57 have no current customers and are closed to new subscriptions as of the original effective date of this Guide, these offers have been deleted from this Guide and their corresponding sections contain no material.

---

ACCESS SERVICE

---

26. Integrated Service Package Offerings

26.1 Access Advantage Plus Transport Service

26.1.1 General Description

Access Advantage Plus (AA+) Transport Service is an integrated service package, which enables an end user's voice, data and other special access service connections to be consolidated onto a single interstate DS1 High Capacity Special Access Service. AA+ Transport Service provides the customer with a service package that includes a DS1 High Capacity Special Access Service between an end user's designated premises and an AA+ Transport Service Node, DS1-to-DS0 central office multiplexing, Multiplexer Cross-Connection and the flexibility to configure individual DS0 channels as bonded channel groups.

26.1.2 Service Provisioning

AA+ Transport Service Node

An AA+ Transport Service Node is a Telephone Company hubbing office at which digital DS1-to-DS0 multiplexing is provided through a Digital Cross Connect System (DCS) to derive twenty-four DS0 level channels (64 Kbps per channel). The Telephone Company will determine the AA+ Transport Service Node, which serves an end user's designated premises and from which AA+ Transport Service will be provided.

Bonded Channel Groups

The DS0 channels derived from an AA+ Transport Service may be digitally cross connected on an individual channel basis as well as by Bonded Channel Group. A Bonded Channel Group consists of consecutively assigned DS0 channels configured to provide the following capacity arrangements:

Bonded Channel Group 2 – Two consecutively assigned DS0 channels configured to provide 128 Kbps of capacity.

Bonded Channel Group 4 – Four consecutively assigned DS0 channels configured to provide 256 Kbps of capacity.

Bonded Channel Group 6 – Six consecutively assigned DS0 channels configured to provide 384 Kbps of capacity.

Bonded Channel Group 8 – Eight consecutively assigned DS0 channels configured to provide 512 Kbps of capacity.

Bonded Channel Group 12 – Twelve consecutively assigned DS0 channels configured to provide 768 Kbps of capacity.

---



ACCESS SERVICE

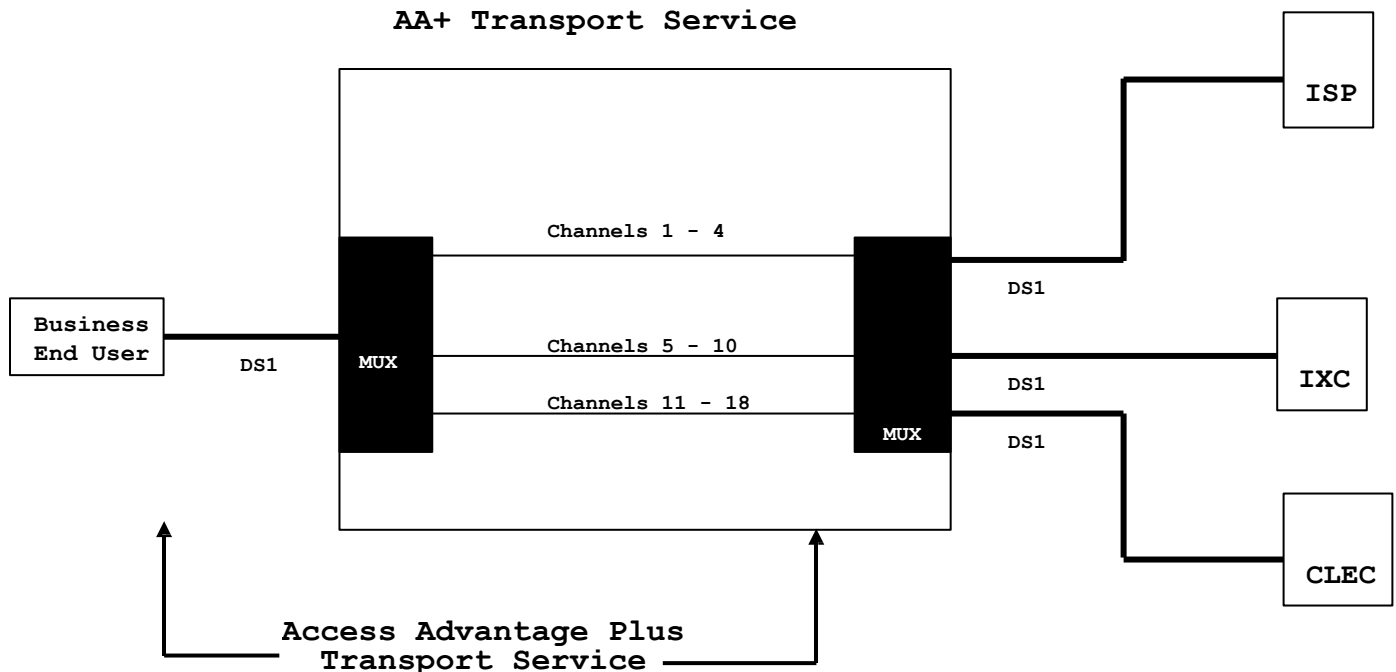
26. Integrated Service Package Offerings (Cont'd)

26.1 Access Advantage Plus Transport Service (Cont'd)

26.1.2 Service Provisioning (Cont'd)

AA+ Transport Service Configurations

- (1) AA+ Transport Service DS0 channels are digitally cross connected at the AA+ Transport Service Node to DS0 channels derived from two or more multiplexed high capacity service arrangements. Each digital DS0 cross connect is referred to as a Multiplexer Cross-Connection.
- (2) A Bonded Channel Group requires one Multiplexer Cross-Connection for each consecutively assigned DS0 channel in the group. The AA+ Transport Service architecture consists of one Bonded Channel Group 4 plus any combination of the Bonded Channel Groups and individual DS0 channels. However, the total number of DS0 channels per AA+ Transport Service that can be digitally cross connected cannot exceed twenty-four.
- (3) AA+ Transport Service DS0 channels may be activated when service is initially installed, or they may be activated at a later date as a service rearrangement.
- (4) The following diagram provides an example of AA+ Transport Service configurations:



---

ACCESS SERVICE

---

26. Integrated Service Package Offerings (Cont'd)

26.1 Access Advantage Plus Transport Service (Cont'd)

26.1.3 Rate Regulations

(A) Types of Rate and Charges

(1) Nonrecurring charges are one-time charges that apply for specific work activities.

(a) A nonrecurring charge applies to install each AA+ Transport Service and to activate initial Multiplexer Cross-Connections.

(b) A nonrecurring charge applies on a "per DS0 channel" basis to service rearrangements that add or rearrange Multiplexer Cross-Connections associated with an existing AA+ Transport Service.

(2) Monthly rates are fixed recurring rates that apply each month, or fraction thereof, that AA+ Transport Service is provided. For billing purposes, each month is considered to have thirty days.

(a) A TPP Rate is a monthly rate that applies based on the term period selected by the customer.

(b)

(D)

(c) The Special Access Surcharge applies on a per equivalent voice grade channel basis in accordance with 7.4.4.

(B) Minimum Period

Minimum Period regulations and charges apply in accordance with 2.10.

## ACCESS SERVICE

26. Integrated Service Package Offerings (Cont'd)26.1 Access Advantage Plus Transport Service (Cont'd)26.1.3 Rate Regulations (Cont'd)(C) Term Pricing Plan # (C)

The AA+ Transport Service Term Pricing Plan (TPP) provides customers with rate stabilization and an option to select a one, two or three year term period. The following terms and conditions apply to TPP:

- (1) The TPP rate and the terms and conditions of this TPP subsection will not change during the term period in which the customer has taken service, unless noted herein or required by the FCC. All other tariff changes made to this section and to other applicable sections of this Guide will apply regardless of the time remaining in the TPP.
- (2) At expiration of the term the service will convert to the Month to Month Rate. (C)
- (3) # (D)
- (4) If the customer discontinues AA+ Transport Service prior to the expiration of the term period, a termination charge applies. The termination charge is fifty percent of the remaining monthly payments due for the balance of the term period. The termination charge is calculated as follows: (C)

$$(\text{Monthly rate}) \times (\text{Months remaining in term period}) \times (50\%)$$

# Effective November 19, 2021, Term Pricing Plans (TPPs) are no longer permitted. A Term Pricing Plan in effect as of November 19, 2021 may continue the existing term but will not be eligible to extend, renew, reenroll in, convert to a new term period, or in any other way continue their existing plan beyond its current expiration. At expiration of the term the service will convert to the Month to Month Rate. If at any time an existing customer terminates its Term Pricing Plan, the customer may not re-subscribe to the plan. (N)

---

ACCESS SERVICE

---

26. Integrated Service Package Offerings (Cont'd)

26.1 Access Advantage Plus Transport Service (Cont'd)

26.1.3 Rate Regulations (Cont'd)

(C) Term Pricing Plan (Cont'd) # (C)

(5) # (D)

(D) Moves

Regulations and charges for moves apply in accordance with 2.11.5E.

(E) Other Discount Pricing Plans

AA+ Transport Service is not eligible for other discount pricing plans.

# Service Offer is limited. See footnote on page 26-4 (N)

ACCESS SERVICE

---

26. Integrated Service Package Offerings (Cont'd)

26.1 Access Advantage Plus Transport Service (Cont'd)

26.1.4 Rates and Charges

	<u>Monthly Rates</u>	<u>Nonrecurring Charges</u>	(C)
(A) <u>TPP Rates #</u>			
1 Year Term Period	\$350.00	\$1,000.00	
2 Year Term Period	\$310.00	\$500.00	
3 Year Term Period	\$200.00	\$0.00	
(B) <u>Month to Month Rate</u>	\$425.00		(C)
(C) <u>Service Rearrangement</u>	N/A	\$103.00	
(D) <u>Special Access Surcharge</u>	\$25.00	N/A	

# Service Offer is limited. See footnote on page 26-4 (N)